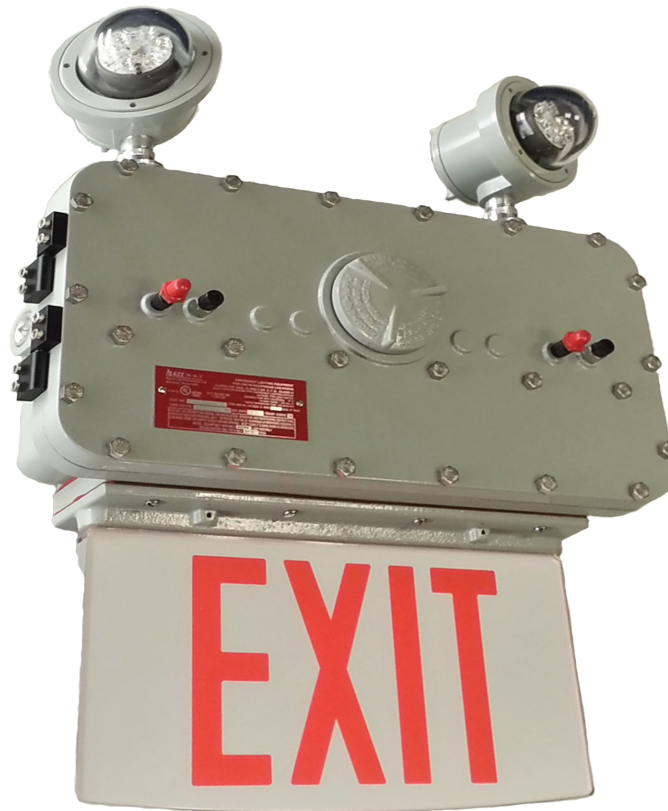


XPEH LED Series

Explosion proof LED emergency light and exit sign

RIG-A-LITE™
An Avail Infrastructure Solutions Company



Classifications

- Class I, Division 1, Groups C & D
- Class II, Division 1, Groups E, F & G
- Class III
- Class I, Zone 1, Groups IIA, IIB
- USCG Regulation 46 CFR Subparts 111.75-15(e) & 112.43
- UL 844 Hazardous Locations
- UL 1598A Marine Outside Type
- UL 1598 Wet Locations
- UL 8750 LED Safety
- UL 924 Emergency Lighting
- CUL
- IP65
- NEMA 4X
- Patent No. 7,287,347; Other Patents Pending
- Build America, Buy America Act (BABA) Compliant
- Buy American Act (BAA) Compliant



availinfra.com/rig-a-lite

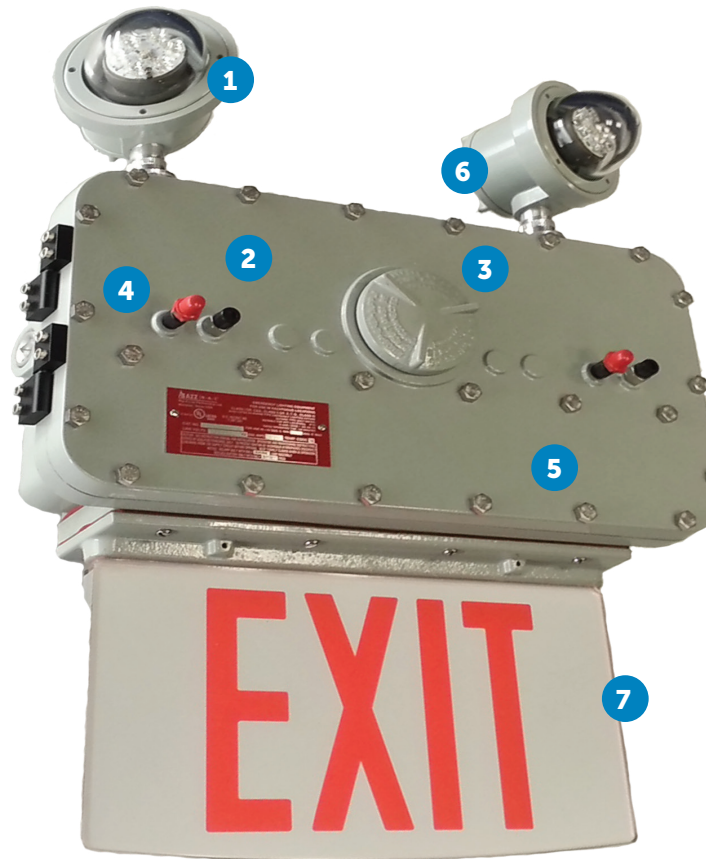
8500 Hansen Road,
Houston, TX 77075
(713) 943-0340

XPEH LED Series

Explosion proof LED emergency light and exit sign

Key Features

- 1 Two high lumen spot lights can be adjusted in horizontal and vertical planes
- 2 Independent battery backup system for exit signs and spotlights
- 3 Unit can power up to two optional remote spot lights
- 4 Field replaceable LED circuit boards and drivers with quick disconnects
- 5 Emergency battery back-up integral to sign (no additional enclosure required)
- 6 3-hour emergency operation
- 7 Edge-lit sign



Additional Features

- Wall, pendant and end mounting options
- Captive, hinged-access door
- Wide and narrow-beam optics available
- Separate push-to-test and pilot light for local and remote heads
- Separate sealed NiCad batteries for exit sign
- Alternate exit legend and languages available
- Single- or double-sided option
- Three 1" NPT hubs
- Red or green LED options

Standard Materials

Body:

A360 aluminum (less than .4% copper content) with baked-on gray epoxy finish

Gasket:

One-Piece Neoprene

Sign:

Acrylic

Hardware:

Stainless Steel

XPEH LED Series

Explosion proof LED emergency light and exit sign

Catalog Number Logic

XPEH - 1 - R - DT - 2 - 2 - XX

1

2

3

4

5

6

7

1 BASIC SERIES

XPEH LED
 Class I, Division 1, Groups C & D
 Class II, Division 1, Groups E, F & G
 Class III
 Class I, Zone 1, Groups IIA, IIB,
 UL 844, 1598, 8750, 924
 UL 1598A Marine Outside Type
 (Salt Water)
 USCG Regulation 46 CFR Subparts
 111.75-15 (e) & 112.43
 CUL
 IP65
 NEMA 4X
 Suitable for Wet Locations

2 NUMBER OF FACES

1 = Single Face
 2 = Double Face

3 LEGEND COLOR

R = Red
 G = Green

4 VOLTAGE / FREQUENCY

DT = 120/277V 60HZ
 24 = 220-240V 50/60HZ

5 INSTALLED HEADS

0 = None
 1 = One
 2 = Two

Combinations Available		
Installed	Remote	Drivers
2	0	1
1	1	1
0	2	1
2	2	2
1	3	2
0	4	2

6 REMOTE HEADS¹

0 = None
 1 = One
 2 = Two
 3 = Three
 4 = Four

7 OPTIONS²

W = Wide Beam Optics
 X = EXIT Legend in other languages
 Language must be specified

¹XPEH Series emergency lights with remote head option are provided with extra LED driver. Remote heads can only be wired to the emergency fixtures with remote head option. LED heads are furnished with 1/2"-14 NPT male hub, must be installed on suitably listed explosion proof junction box not provided by RAL.

²Consult Factory for pricing.

Catalog logic is for explaining catalog number structure only. Not all combinations are possible; consult factory for catalog numbers not listed in charts.

Maximum Input Power

XPEH Emergency Light with:
 Red Exit Sign & 2 LED heads - 6.5 W
 Red Exit Sign & 4 LED heads - 10.5 W
 Green Exit Sign & 2 LED heads - 7 W
 Green Exit Sign & 4 LED heads - 11W

Maximum Output Data

Each Remote Head:
 Voltage: 22V DC. max.
 Current: 0.225 A (225mA)
 Max. Power: 5 W

Certification Guide

XPEH Series Emergency Combo with:	Ambient Temperature Range	Class I, Division 1 Groups C & D	Class II, Division 1 Groups E, F & G Class III	Simultaneous Presence Class I & II	UL 1598A Marine	CUL
Green Exit Sign	10° C to 35° C	T6	T6	T6	Yes	Yes
Red Exit Sign	10° C to 45° C	T6	T6	T6	Yes	Yes

XPEH LED Series

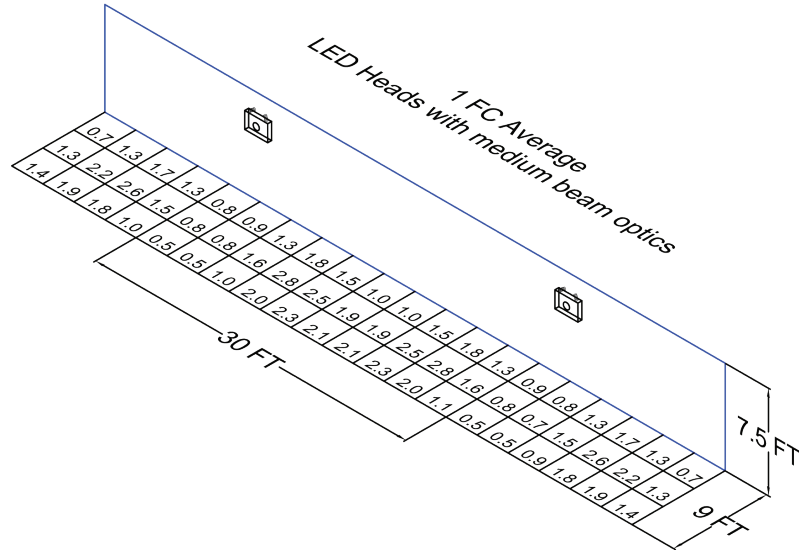
Explosion proof LED emergency light and exit sign

Photometric Data

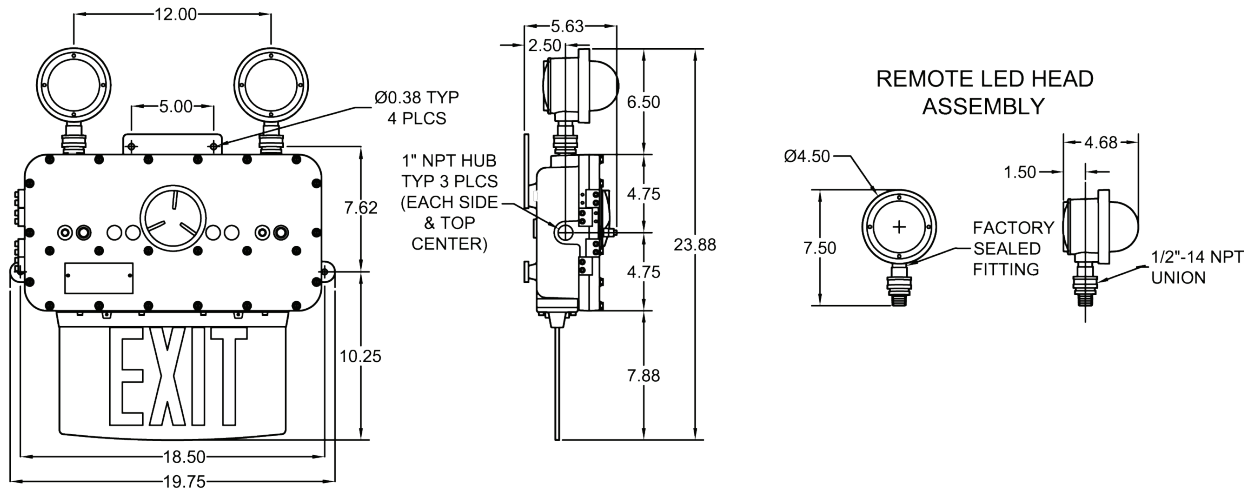
XPEH LED head with medium beam optics:

Total Lumens per Head	420.78
Output Watts per Head	4.83
Efficacy (Lumens/Watts)	87.12
CRI	72
CCT	5672

Average Initial Footcandles at the Floor	1.49
Maximum Initial Footcandles at the Floor	2.80
Minimum Initial Footcandles at the Floor	0.50
Maximum to Minimum Ratio	5.60



XPEH Series Fixture Dimensions (inches)



XPEH SERIES	Shipping Weight	Shipping Volume
Emergency Combo	40.5 lbs.	3.1 cu. ft.
Emergency Combo with Remote Heads Option*	43.5 lbs.	3.1 cu. ft.
Remote Head Assembly	3.5 lbs.	0.27 cu. ft.

* Remote Head Assemblies are shipped separately.
(Additional weight of the emergency light is due to extra driver for remote heads.)



An Avail Infrastructure Solutions Company

availinfra.com/rig-a-lite

8500 Hansen Road,
Houston, TX 77075
(713) 943-0340