

IALJ LED

LED area lighting for
industrial locations

 **RIG-A-LITE™**
An Avail Infrastructure Solutions Company



Classifications

- UL 1598A Marine Outside Type
- UL 1598 Wet Locations
- UL 8750 LED Safety
- UL 924 Emergency Lighting
- Emergency Battery Backup
- -40°C to 70°C Ambient Temperature
- CSA C22.2 No. 250.0-08
- NEMA 4X
- ABS Type Approved
- IP66
- Tested to LM 79 & LM 80
- Build America, Buy America Act (BABA) Compliant
- Buy American Act (BAA) Compliant



availinfra.com/rig-a-lite

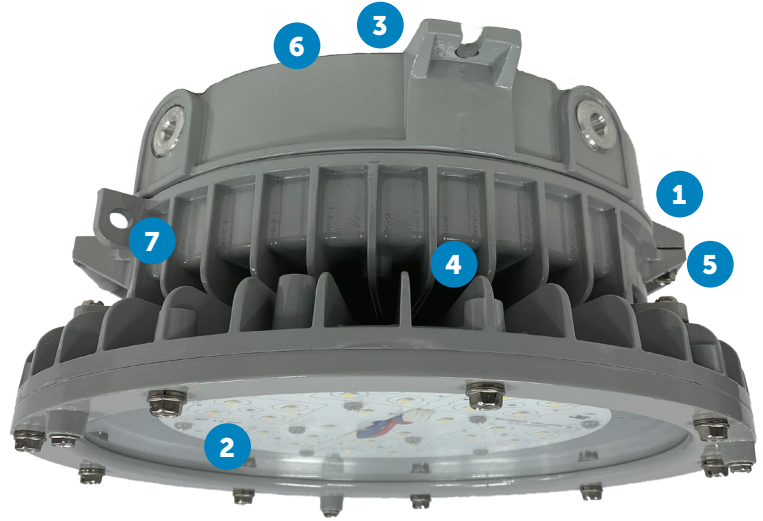
8500 Hansen Road,
Houston, TX 77075
(713) 943-0340

IALJ LED

LED area lighting for industrial locations

Key Features

- 1 Low profile body, less than 5" high
- 2 Interchangeable optics with Type I, III, V and wide distribution options
- 3 Spring pressure connection terminal block
- 4 Field replaceable LED circuit boards and drivers with quick disconnects
- 5 Hinged mount for access to internal components
- 6 Optional trunnion mount with locking positions in 15 degree increments
- 7 Two (2) safety cable attachment points



Additional Features

- Optional emergency backup with switching capability and field replaceable battery
- Pendant, ceiling, wall, trunnion and stanchion mounting options
- Mates directly to select competitor mounts
- Dimming option
- Optional Type 316 stainless steel guard
- Standard 10kV surge protection
- 5-year warranty

Standard Materials

- Body:**
A360 aluminum (less than .4% copper content)
with baked-on gray epoxy finish
- Gaskets:**
One-Piece Silicone
- Lens:**
Tempered Glass or Polycarbonate
- Hardware:**
Stainless Steel

IALJ LED

LED area lighting for industrial locations

Catalog Number Logic



1

BASIC LUMINAIRE

IALJ LED = N. American Standards

2

LUMENS/WATTS

04 = 3,253 Lumens / 22 Watts

06 = 5,749 Lumens / 39 Watts

08 = 7,561 Lumens / 53 Watts

10 = 9,634 Lumens / 67 Watts

11 = 11,410 Lumens / 80 Watts

13 = 13,430 Lumens / 97 Watts

AM4 = Amber (4,150 Lumens / 57 Watts)

AM5 = Amber (4,895 Lumens / 85 Watts)

3

LAMP TYPE

L = LED (5000K CCT - White Light)*

4

DRIVER VOLTAGE

U = 120-277V 50/60HZ

D = 127-250 VDC

N = 347/480V 60HZ

5

LENS

CG = Clear Tempered Glass

FG = Frosted Tempered Glass

CP = Clear Polycarbonate

6

OPTICS

Blank = Type V

1 = Type I

3 = Type III

5 = Type V Wide Beam

7

GUARD

G = Stainless Wire Guard

8

MOUNTING STYLE

P = 3/4" Pendant Mount

P1 = 1" Pendant Mount

C = 3/4" Ceiling Mount

C1 = 1" Ceiling Mount

W = 3/4" Wall Mount

W1 = 1" Wall Mount

T = 3/4" Trunnion Mount

T1 = 1" Trunnion Mount

S = 1-1/4" 25° Stanchion

S1 = 1-1/2" 25° Stanchion

L = 1-1/4" 90° Stanchion

L1 = 1-1/2" 90° Stanchion

9

OPTIONS

EM = Emergency Battery Backup²

FB1 = Single Fuse Block¹

FB2 = Double Fuse Block¹

SC = Safety Cable

30 = 3000K CCT*

40 = 4000K CCT*

¹ When selected, one fuse block is provided for 120V or 277V, two fuse blocks are provided for 208V – 240V or 480V. Fuse options not available with 347V, fixtures listed for use in Canada, marine listed fixtures or fixtures with EM option.

² EM Option not available with 347/480V or 127-250 VDC models.

Catalog logic is for explaining catalog number structure only. Not all combinations are possible; consult factory for catalog numbers not listed in charts.

* Not available when amber light is selected.

IALJ LED

LED area lighting for industrial locations

Certification Guide

Model	Mount	Watts	Operating Voltage	Total Lumens ¹	Lumens per Watt ¹	CRI ¹	CCT ¹	Ambient Temperature ^{1,2}	Supply Wire Suitable Temperature, °C
IALJ04LU	C, P, T, W, S, L	22W	120-277V 50/60HZ	3253	151.0	80.7	4910	-40°C < Tamb < 70°C	90°C
IALJ04LD	C, P, T, W, S, L	22W	127 - 250 VDC	3253	151.0	80.7	4910	-40°C < Tamb < 70°C	90°C
IALJ04LN	C, P, T, W, S, L	22W	347/480V 60HZ	3253	151.0	80.7	4910	-40°C < Tamb < 70°C	90°C
IALJ06LU	C, P, T, W, S, L	39W	120-277V 50/60HZ	5749	149.0	80.5	4918	-40°C < Tamb < 70°C	90°C
IALJ06LD	C, P, T, W, S, L	39W	127 - 250 VDC	5749	149.0	80.5	4918	-40°C < Tamb < 70°C	90°C
IALJ06LN	C, P, T, W, S, L	39W	347/480V 60HZ	5749	149.0	80.5	4918	-40°C < Tamb < 70°C	90°C
IALJ08LU	C, P, T, W, S, L	53W	120-277V 50/60HZ	7561	142.5	80.5	4960	-40°C < Tamb < 70°C	90°C
IALJ08LD	C, P, T, W, S, L	53W	127 - 250 VDC	7561	142.5	80.5	4960	-40°C < Tamb < 70°C	90°C
IALJ08LN	C, P, T, W, S, L	53W	347/480V 60HZ	7561	142.5	80.5	4960	-40°C < Tamb < 70°C	90°C
IALJ10LU	C, P, T, W, S, L	67W	120-277V 50/60HZ	9634	144.3	80.6	4896	-40°C < Tamb < 70°C	90°C
IALJ10LD	C, P, T, W, S, L	67W	127 - 250 VDC	9634	144.3	80.6	4896	-40°C < Tamb < 70°C	90°C
IALJ10LN	C, P, T, W, S, L	67W	347/480V 60HZ	9634	144.3	80.6	4896	-40°C < Tamb < 70°C	90°C
IALJ11LU	C, P, T, W, S, L	80W	120-277V 50/60HZ	11410	141.8	80.4	4968	-40°C < Tamb < 65°C	90°C
IALJ11LD	C, P, T, W, S, L	80W	127 - 250 VDC	11410	141.8	80.4	4968	-40°C < Tamb < 65°C	90°C
IALJ11LN	C, P, T, W, S, L	80W	347/480V 60HZ	11410	141.8	80.4	4968	-40°C < Tamb < 65°C	90°C
IALJ13LU	C, P, T, W, S, L	97W	120-277V 50/60HZ	13430	138.7	80.6	4959	-40°C < Tamb < 65°C	90°C
IALJ13LD	C, P, T, W, S, L	97W	127 - 250 VDC	13430	138.7	80.6	4959	-40°C < Tamb < 65°C	90°C
IALJ13LN	C, P, T, W, S, L	97W	347/480V 60HZ	13430	138.7	80.6	4959	-40°C < Tamb < 60°C	90°C
IALJAM4LU	C, P, T, W, S, L	57W	120-277V 50/60HZ	4150	73.2	21.0	Amber	-40°C < Tamb < 65°C	90°C
IALJAM4LD	C, P, T, W, S, L	57W	127 - 250 VDC	4150	73.2	21.0	Amber	-40°C < Tamb < 65°C	90°C
IALJAM4LN	C, P, T, W, S, L	57W	347/480V 60HZ	4150	73.2	21.0	Amber	-40°C < Tamb < 60°C	90°C
IALJAM5LU	C, P, T, W, S, L	85W	120-277V 50/60HZ	4895	57.7	22.8	Amber	-40°C < Tamb < 65°C	90°C
IALJAM5LD	C, P, T, W, S, L	85W	127 - 250 VDC	4895	57.7	22.8	Amber	-40°C < Tamb < 65°C	90°C
IALJAM5LN	C, P, T, W, S, L	85W	347/480V 60HZ	4895	57.7	22.8	Amber	-40°C < Tamb < 60°C	90°C

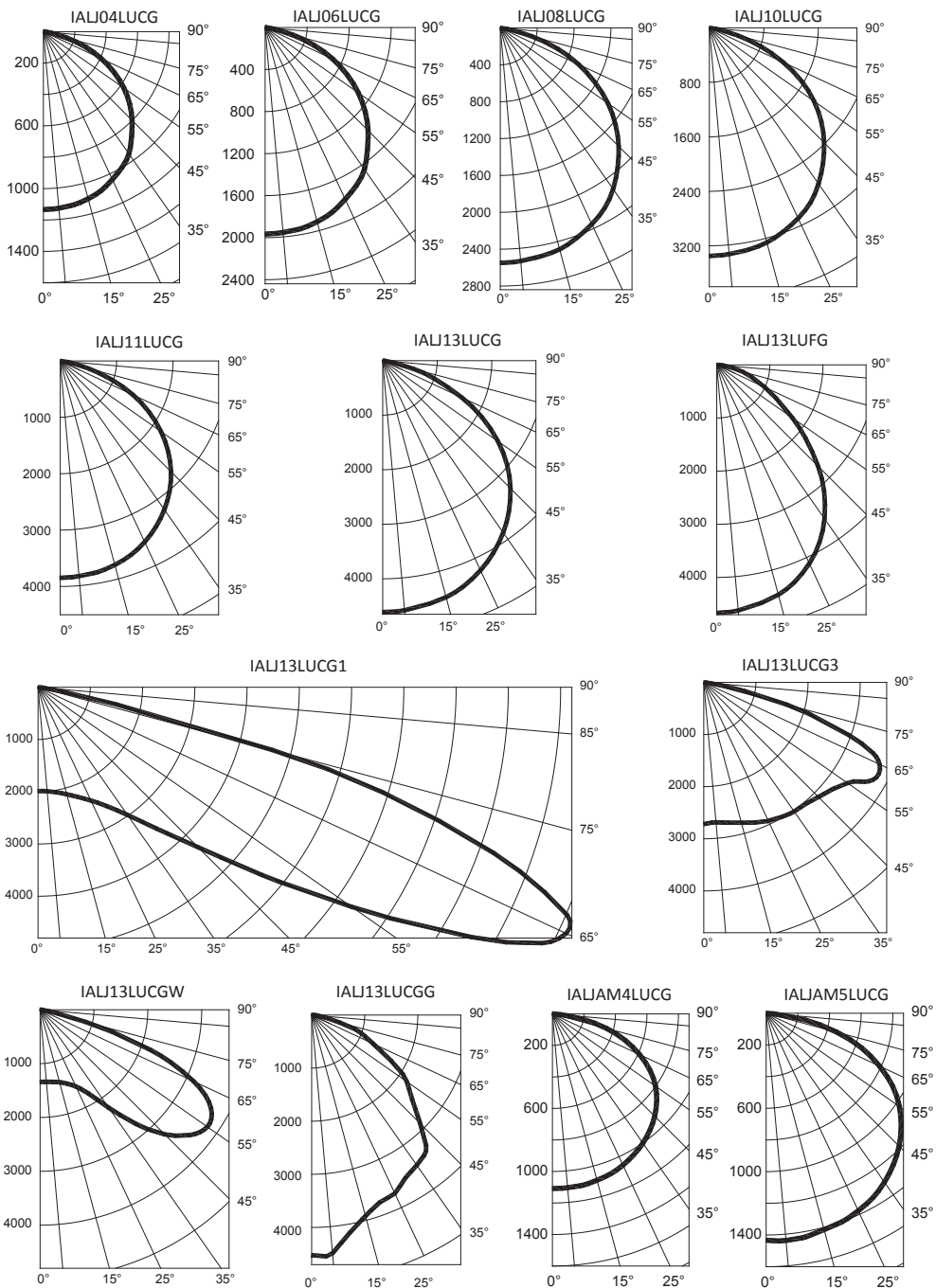
1. When FG or optics options are selected, total lumens, lumens per watt, CRI, CCT or ambient temperature may change. Consult factory for values.

2. Ambient temperature range is 0°C < Tamb < 40°C when EM option is selected.

IALJ LED

LED area lighting for industrial locations

Photometric Data

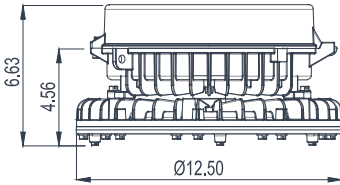


IALJ LED

LED area lighting for industrial locations

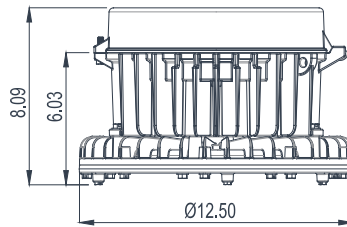
Fixture Dimensions (inches)

Pendant Mount



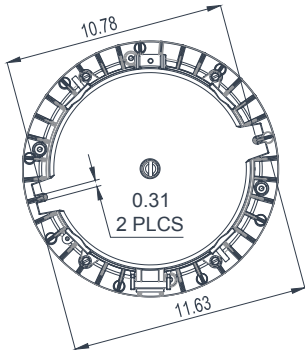
Fixture	Weight
IALJ04LUCGP	13 lbs.
IALJ06LUCGP	14 lbs.
IALJ08LUCGP	14 lbs.
IALJ10LUCGP	14 lbs.
IALJ11LUCGP	14 lbs.
IALJ13LUCGP	16 lbs.
IALJAM4LUCGP	14 lbs.
IALJAM5LUCGP	16 lbs.

Pendant Mount Emergency

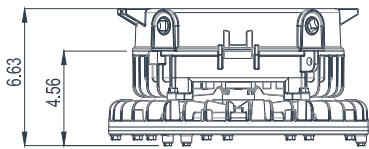


Fixture	Weight
IALJ04LUCGPEM	20 lbs.
IALJ06LUCGPEM	21 lbs.
IALJ08LUCGPEM	21 lbs.
IALJ10LUCGPEM	21 lbs.
IALJ11LUCGPEM	21 lbs.
IALJ13LUCGPEM	23 lbs.
IALJAM4LUCGPEM	21 lbs.
IALJAM5LUCGPEM	23 lbs.

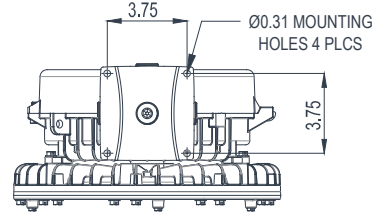
Ceiling Mount



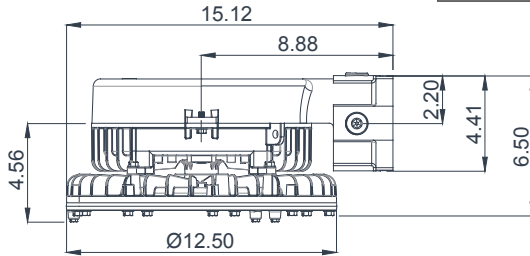
Fixture	Weight
IALJ04LUCGC	14 lbs.
IALJ06LUCGC	15 lbs.
IALJ08LUCGC	15 lbs.
IALJ10LUCGC	15 lbs.
IALJ11LUCGC	15 lbs.
IALJ13LUCGC	17 lbs.
IALJAM4LUCGC	15 lbs.
IALJAM5LUCGC	17 lbs.



Wall Mount



Fixture	Weight
IALJ04LUCGW	16 lbs.
IALJ06LUCGW	17 lbs.
IALJ08LUCGW	17 lbs.
IALJ10LUCGW	17 lbs.
IALJ11LUCGW	17 lbs.
IALJ13LUCGW	19 lbs.
IALJAM4LUCGW	17 lbs.
IALJAM5LUCGW	19 lbs.



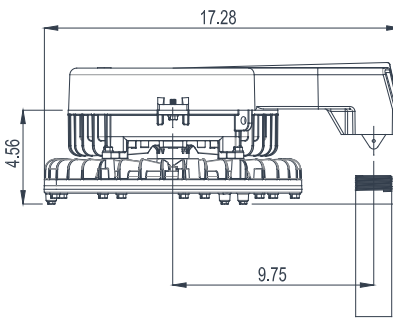
For "EM" emergency option, add 1.47" in height
 For Guard option, add 0.136" in height

IALJ LED

LED area lighting for industrial locations

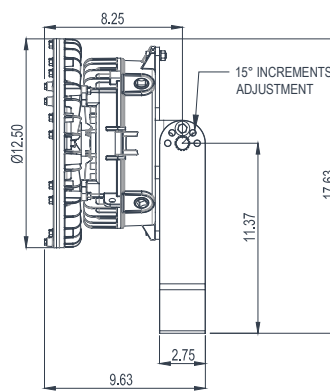
Fixture Dimensions (inches)

90° Stanchion Mount



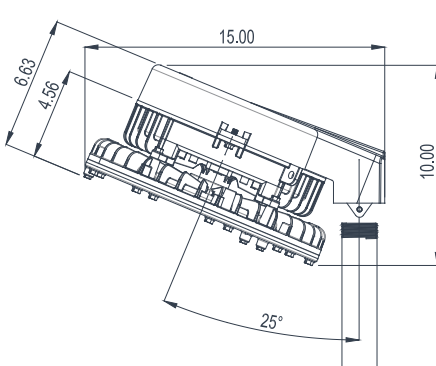
Fixture	Weight
IALJ04LUCGL	16 lbs.
IALJ06LUCGL	17 lbs.
IALJ08LUCGL	17 lbs.
IALJ10LUCGL	17 lbs.
IALJ11LUCGL	17 lbs.
IALJ13LUCGL	19 lbs.
IALJAM4LUCGL	17 lbs.
IALJAM5LUCGL	19 lbs.

Trunnion Mount

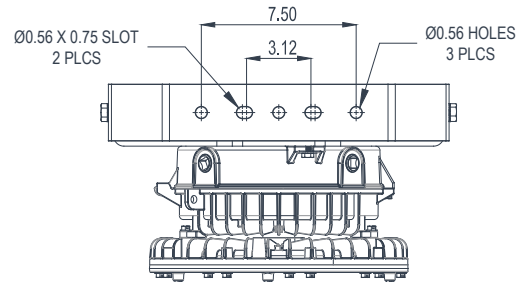


Fixture	Weight
IALJ04LUCGT	18 lbs.
IALJ06LUCGT	19 lbs.
IALJ08LUCGT	19 lbs.
IALJ10LUCGT	19 lbs.
IALJ11LUCGT	19 lbs.
IALJ13LUCGT	21 lbs.
IALJAM4LUCGT	19 lbs.
IALJAM5LUCGT	21 lbs.

25° Stanchion Mount



Fixture	Weight
IALJ04LUCGS	16 lbs.
IALJ06LUCGS	17 lbs.
IALJ08LUCGS	17 lbs.
IALJ10LUCGS	17 lbs.
IALJ11LUCGS	17 lbs.
IALJ13LUCGS	19 lbs.
IALJAM4LUCGS	17 lbs.
IALJAM5LUCGS	19 lbs.

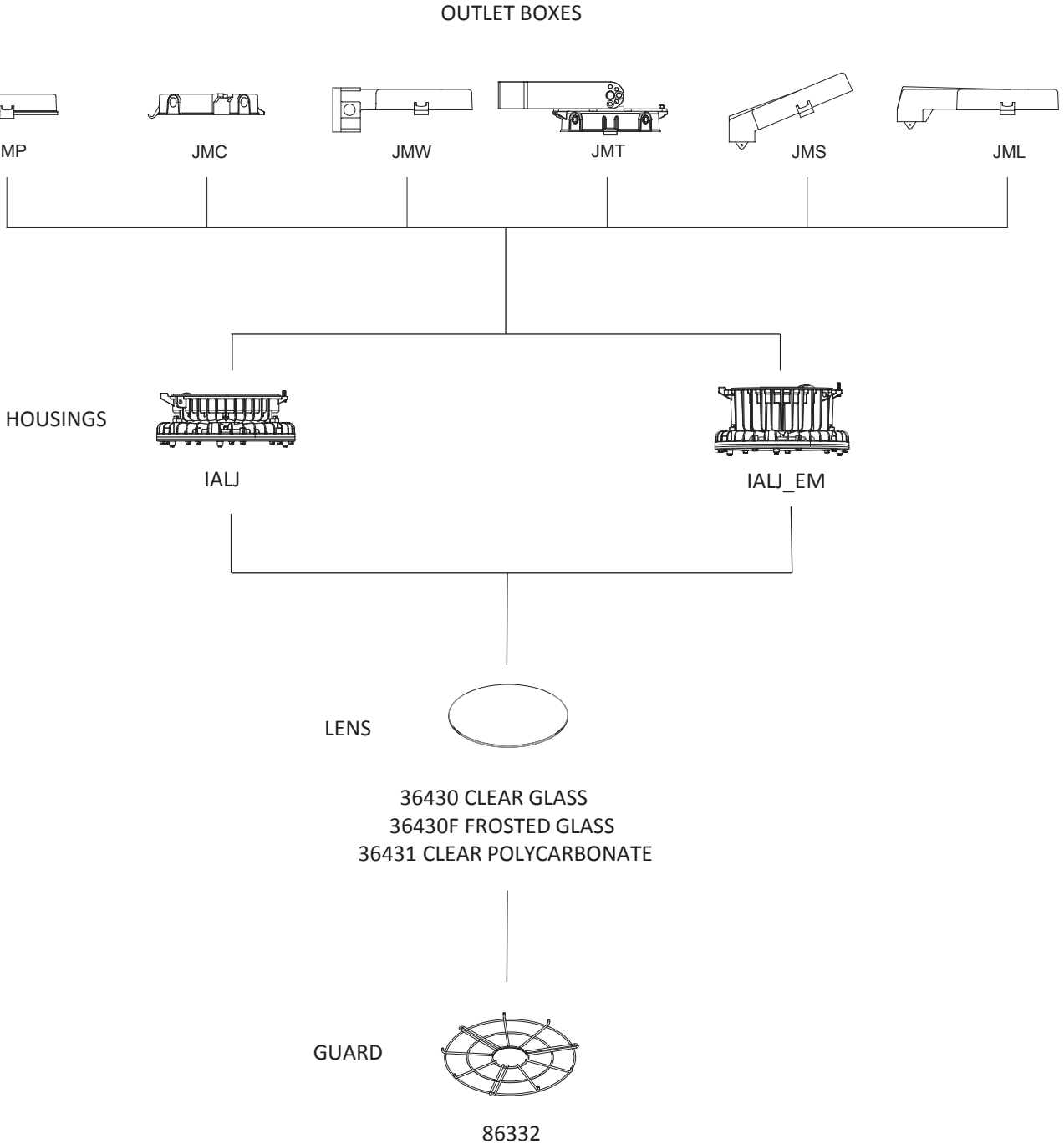


For "EM" emergency option, add 1.47" in height
 For Guard option, add 0.136" in height

IALJ LED

LED area lighting for industrial locations


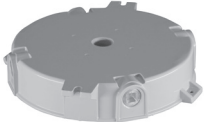




Configurations







IALJ LED

LED area lighting for industrial locations

Accessories

Outlet Boxes	Catalog No.	Conduit Hub Size (in.)	Shipping Weight (lbs.)
Rigid Pendant 	JMP	3/4	3.0
	JMP1	1	3.0
Ceiling Mount 	JMC	3/4	3.5
	JMC1	1	3.5
Wall Mount 	JMW	3/4	6.0
	JMW1	1	6.0
Trunnion Mount 	JMT	3/4	8.0
	JMT1	1	8.0
25° Stanchion Mount 	JMS	1-1/4	5.0
	JMS1	1-1/2	5.0
90° Stanchion Mount 	JML	1-1/4	6.5
	JML1	1-1/2	6.5

Lenses	Catalog No.	Conduit Hub Size (in.)	Shipping Weight (lbs.)
	36430	Clear Tempered Glass	2.0
	36430F	Frosted Tempered Glass	2.0
	36431	Clear Polycarbonate	2.0

Stainless Steel Wire Guard	Catalog No.	Description	Shipping Weight (lbs.)
	86332	Stainless Steel	1.0



Stainless Steel Safety Cable	Catalog No.	Description	Shipping Weight (lbs.)
	10128R	Stainless Steel	1.0

Photo Cell Kit*	Catalog No.	Description	Shipping Weight (lbs.)
	SPH25-120	Automatic on-off switch at predetermined light levels. (120 volt only) REQUIRES FIELD INSTALLATION	.19



An Avail Infrastructure Solutions Company

availinfra.com/rig-a-lite

8500 Hansen Road,
Houston, TX 77075
(713) 943-0340