

CHL LED

Non-metallic heavy duty LED
lighting for hazardous locations

RIG-A-LITE™
An Avail Infrastructure Solutions Company



Classifications

- Class I, Division 2, Groups A, B, C & D
- Class II, Division 2, Groups F & G
- Class III
- Class I, Zone 2, Groups IIA, IIB, IIC, Zone 22 (ANSI/UL 844)
- UL 1598A Marine Outside Type
- UL 1598 Wet Locations
- UL 8750 LED Safety
- UL 844 Hazardous Locations
- UL 924 Emergency Lighting
- Emergency Battery Back-up
- -40°C to 65°C Ambient Temperature
- CSA C22.2 No. 250.0-08
- CSA C22.2 No. 137-M1981
- NEMA 4X
- IP66
- Tested to LM 79 & LM 80
- Build America, Buy America Act (BABA) Compliant
- Buy American Act (BAA) Compliant



availinfra.com/rig-a-lite

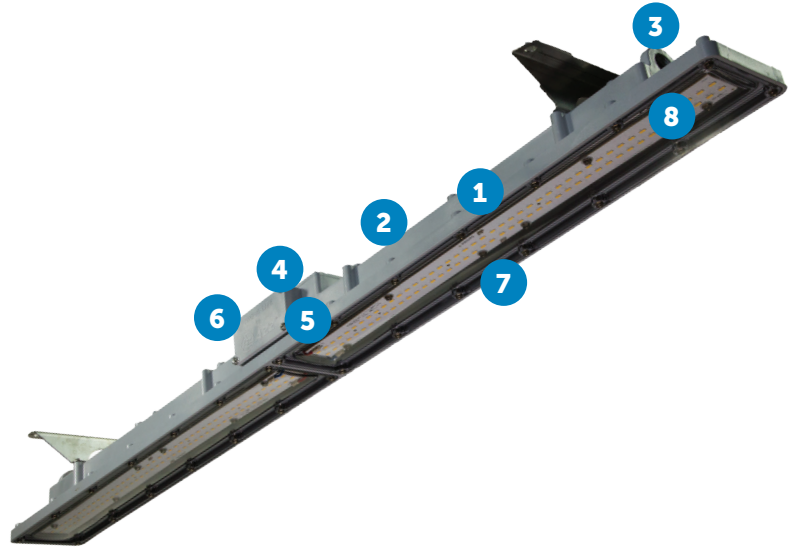
8500 Hansen Road,
Houston, TX 77075
(713) 943-0340

CHL LED

Non-metallic heavy duty LED lighting for hazardous locations

Key Features

- 1 Low-profile, lightweight design
- 2 Heavy-duty, 1/8" thick body
- 3 3/4" NPT hubs
- 4 Three cable entry points
- 5 Toolless, cage-clamp terminal block
- 6 Captive junction box cover and hardware
- 7 Field replaceable LED circuit boards and drivers
- 8 Impact resistant polycarbonate lens



Additional Features

- Feed-through capable
- Various mounting options
- Emergency battery back-up
- Dimmable driver
- Diffused lens option
- Standard 10kV surge protection
- 5-year warranty

Standard Materials

Body:

Fiberglass Reinforced Polycarbonate

Gaskets:

One-Piece Silicone

Mounting:

Stainless Steel

Lens:

Polycarbonate

Hubs(2):

A360 Aluminum (less than .4% copper content)

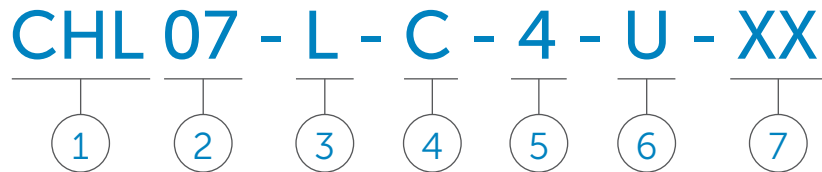
Hardware:

Stainless Steel

CHL LED

Non-metallic heavy duty LED lighting for hazardous locations

Catalog Number Logic



1

SERIES

CHL = Hazardous Location and Marine

2

LAMP WATTAGE

04 = 30W (2 foot)
 05 = 37W (2 foot)
 06 = 40W (2 foot)
 07 = 54W (4 foot)
 09 = 72W (4 foot)
 11 = 80W (4 foot)

3

LAMP TYPE

L = LED (4000K CCT)

4

LENS

C = Clear
 D = Diffused

5

NOMINAL FIXTURE LENGTH

2 = 2 Foot
 4 = 4 Foot

6

VOLTAGE/FREQUENCY

U = 120 - 277V 50/60HZ
 N = 347/480V 60HZ
 A = 120V 60HZ²
 B = 220 - 240V 50/60HZ²
 C = 277V 60HZ²

7

OPTIONS

SMK = Shock Mounting Brackets
 WMB = Wall Mounting Brackets
 ADJ = Adjustable Ceiling/Wall Brackets
 SC = Safety Cable
 HA = High Ambient 65°C Rated
 (07 Model Only)¹
 EM = Emergency Battery Backup¹
 (Reduced Lumens, 45°C
 max ambient)
 FB = Fuse Block²
 30 = 3000K CCT
 35 = 3500K CCT
 50 = 5000K CCT

¹ Not available in 347/480V, type HA

² Specify voltage when option FB is needed. When option FB is selected, one fuse is provided for 120 and 277V. Two fuses are provided for 220-480V. Fuse option not available for marine listed fixtures, or for fixtures listed for use in Canada.

Catalog logic is for explaining catalog number structure only. Not all combinations are possible; consult factory for catalog numbers not listed in charts.

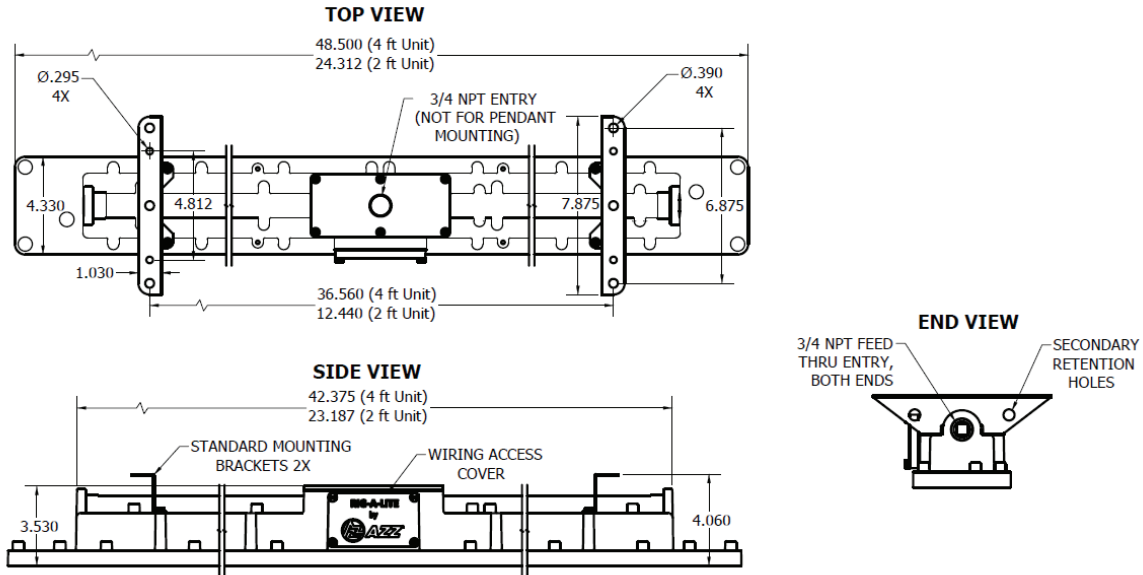
Certification Guide

| Model | Length | Wattage | Operating Voltage | Total Lumens | Lumen per Watt | CRI | CCT | Ambient Temperature | Class I, Div. 2, Group A, B, C, & D | Supply Wire Suitable Temp., °C |
|--------------|--------|---------|---|--------------|----------------|-----|------|---------------------|-------------------------------------|--------------------------------|
| CHL04LC2U | 2 ft | 30W | 120V - 277V 50/60 Hz, 347V-480V 50/60 Hz | 3710 | 129 | 84 | 4132 | -40°C < Tamb < 55°C | T4A | 90°C |
| CHL05LC2U | 2 ft | 37W | | 4376 | 141 | 83 | 4088 | -40°C < Tamb < 55°C | T4A | |
| CHL06LC2U | 2 ft | 40W | | 4863 | 140 | 83 | 4113 | -40°C < Tamb < 55°C | T4A | |
| CHL07LC4U | 4 ft | 54W | | 6975 | 138 | 83 | 4121 | -40°C < Tamb < 55°C | T4A | |
| CHL07LC4U-HA | 4 ft | 41W | | 4705 | 115 | 83 | 4121 | -40°C < Tamb < 55°C | T5 | |
| CHL09LC4U | 4 ft | 72W | | 8848 | 148 | 84 | 4105 | -40°C < Tamb < 55°C | T4A | |
| CHL11LC4U | 4 ft | 80W | | 9884 | 147 | 84 | 4094 | -40°C < Tamb < 55°C | T4A | |

CHL LED

Non-metallic heavy duty LED lighting for hazardous locations

Fixture Dimensions (inches)



| CHL Series | Dimensions (inches) | Boxed Weight | Shipping Volume |
|--------------|---------------------|--------------|-----------------|
| | A | | |
| 4 ft. models | 48.00 | 18 lbs. | 1.47 cu. ft. |
| 2 ft. models | 24.00 | 10 lbs. | .76 cu. ft. |

Accessories

Shock Mounting Brackets

Catalog Number:
53120

Shipping Weight:
2 lbs.



Adjustable Ceiling/Wall Brackets

Catalog Number:
53121

Shipping Weight:
2 lbs.



Wall Mounting Brackets

Catalog Number:
53122

Shipping Weight:
3 lbs.



Safety Cable

Catalog Number:
10128R

Shipping Weight:
1 lb.



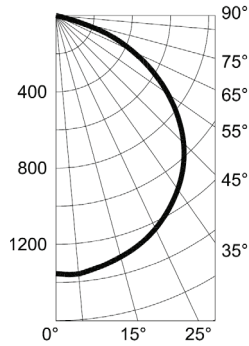
CHL LED

Non-metallic heavy duty LED lighting for hazardous locations

Candlepower Distribution

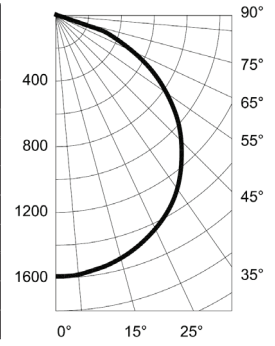
CHL04LC2UXX

| Deg. | 0 | 30 | 60 | 90 |
|------|--------|--------|--------|--------|
| 0 | 1352.8 | 1352.8 | 1352.8 | 1352.8 |
| 10 | 1328.6 | 1321.4 | 1330.7 | 1335 |
| 20 | 1264.1 | 1261.6 | 1270.6 | 1278.3 |
| 30 | 1160 | 1159.8 | 1167.2 | 1176.7 |
| 40 | 1006.6 | 1015.5 | 1025.1 | 1037.2 |
| 50 | 813.9 | 826.9 | 835.1 | 835.3 |
| 60 | 568.7 | 596.1 | 585.4 | 585.2 |
| 70 | 288.9 | 302.3 | 289.7 | 264.9 |
| 80 | 58.1 | 49.2 | 1.1 | 0.3 |
| 90 | 0 | 0 | 0 | 0.1 |



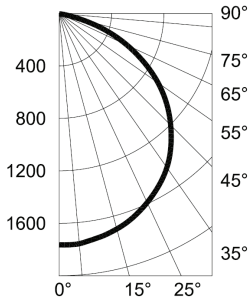
CHL05LC2UXX

| Deg. | 0 | 30 | 60 | 90 |
|------|--------|--------|--------|--------|
| 0 | 1588.5 | 1588.5 | 1588.5 | 1588.5 |
| 10 | 1554.6 | 1546.4 | 1554.3 | 1563.7 |
| 20 | 1476.3 | 1466.4 | 1477.2 | 1489.3 |
| 30 | 1350.1 | 1342.9 | 1354.9 | 1370.5 |
| 40 | 1170.8 | 1167.2 | 1180.9 | 1189.3 |
| 50 | 938.2 | 940.2 | 947.3 | 963.4 |
| 60 | 648.8 | 647.3 | 656.4 | 678.9 |
| 70 | 321.9 | 318.7 | 332 | 344.2 |
| 80 | 58.5 | 61.2 | 8.7 | 3 |
| 90 | 0.1 | 0.1 | 0.1 | 0.1 |



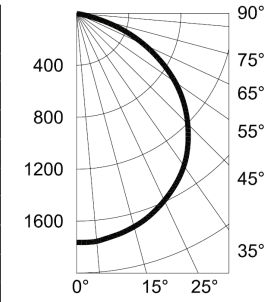
CHL06LC2UXX

| Deg. | 0 | 30 | 60 | 90 |
|------|--------|--------|--------|--------|
| 0 | 1763.7 | 1763.7 | 1763.7 | 1763.7 |
| 10 | 1722.8 | 1717.5 | 1728.3 | 1736.1 |
| 20 | 1634.8 | 1632.6 | 1642.8 | 1653.9 |
| 30 | 1495.4 | 1493.4 | 1504.7 | 1519.3 |
| 40 | 1297.5 | 1300.7 | 1319.1 | 1325 |
| 50 | 1047.1 | 1048.2 | 1064.3 | 1070.8 |
| 60 | 720.4 | 731 | 750 | 751.8 |
| 70 | 353.8 | 371.7 | 385.1 | 376.6 |
| 80 | 67.5 | 67.2 | 12.5 | 3.8 |
| 90 | 0.1 | 0.1 | 0.2 | 0.1 |



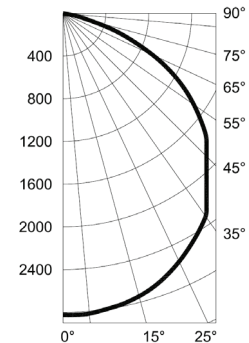
CHL07LC4UXX

| Deg. | 0 | 30 | 60 | 90 |
|------|--------|--------|--------|--------|
| 0 | 2224.3 | 2224.3 | 2224.3 | 2224.3 |
| 10 | 2224.5 | 2207.7 | 2199.3 | 2191 |
| 20 | 2232.3 | 2192.2 | 2118 | 2103.2 |
| 30 | 2225.3 | 2154.9 | 1988 | 1923.7 |
| 40 | 2181.8 | 2057 | 1772.4 | 1684 |
| 50 | 1850.9 | 1807 | 1470.9 | 1367.6 |
| 60 | 1311.7 | 1292.4 | 1068.9 | 965.5 |
| 70 | 688.2 | 700.2 | 530.9 | 439.7 |
| 80 | 161.1 | 125.6 | 106.4 | 25 |
| 90 | 0.2 | 0.1 | 0.1 | 0.1 |



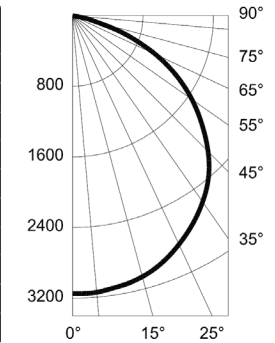
CHL09LC2UXX

| Deg. | 0 | 30 | 60 | 90 |
|------|--------|--------|--------|--------|
| 0 | 2824.8 | 2824.8 | 2824.8 | 2824.8 |
| 10 | 2822.7 | 2812.9 | 2797.5 | 2782.8 |
| 20 | 2825.2 | 2781.2 | 2689.3 | 2669.9 |
| 30 | 2826.8 | 2733.1 | 2517.6 | 2447 |
| 40 | 2773.6 | 2604 | 2245.6 | 2149.5 |
| 50 | 2339.1 | 2282.9 | 1848 | 1719.6 |
| 60 | 1675.4 | 1638.5 | 1335 | 1232.1 |
| 70 | 897.1 | 858.9 | 673.2 | 609.1 |
| 80 | 209.2 | 174 | 91.5 | 52 |
| 90 | 0.3 | 0.2 | 0.1 | 0.1 |



CHL11LC2UXX

| Deg. | 0 | 30 | 60 | 90 |
|------|--------|--------|--------|--------|
| 0 | 3147.3 | 3147.3 | 3147.3 | 3147.3 |
| 10 | 3150.9 | 3133.4 | 3118 | 3103.2 |
| 20 | 3162 | 3108.3 | 2999.7 | 2977.8 |
| 30 | 3159 | 3053.7 | 2815.1 | 2725.9 |
| 40 | 3092.7 | 2913.9 | 2510.5 | 2398.5 |
| 50 | 2610.2 | 2567.7 | 2078.9 | 1919.1 |
| 60 | 1854.4 | 1830.7 | 1488.3 | 1364.6 |
| 70 | 983.7 | 948.2 | 769.1 | 683.6 |
| 80 | 235.2 | 192.9 | 126.8 | 69 |
| 90 | 0.6 | 0.3 | 0.1 | 0.1 |



An Avail Infrastructure Solutions Company

availinfra.com/rig-a-lite

8500 Hansen Road,
Houston, TX 77075
(713) 943-0340