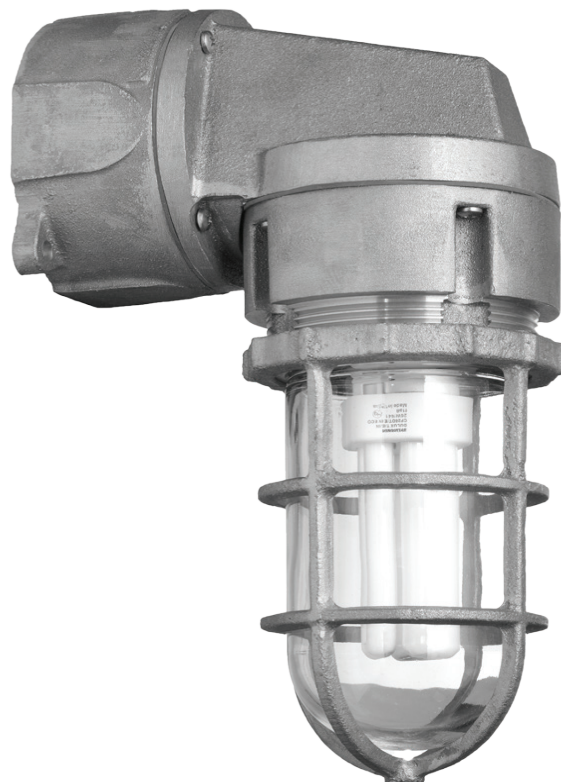


# BVP Series

Brass lighting for marine  
and hazardous environments

**RIG-A-LITE™**  
An Avail Infrastructure Solutions Company



## Classifications

- Class I, Division 2, Groups A, B, C & D
- Zone 2, Group IIA, IIB, IIC
- UL 844 Hazardous Locations
- UL 1598A Marine Outside Type
- NEMA 3, 4, 4X
- Build America, Buy America Act (BABA) Compliant
- Buy American Act (BAA) Compliant



[availinfra.com/rig-a-lite](http://availinfra.com/rig-a-lite)

8500 Hansen Road,  
Houston, TX 77075  
(713) 943-0340

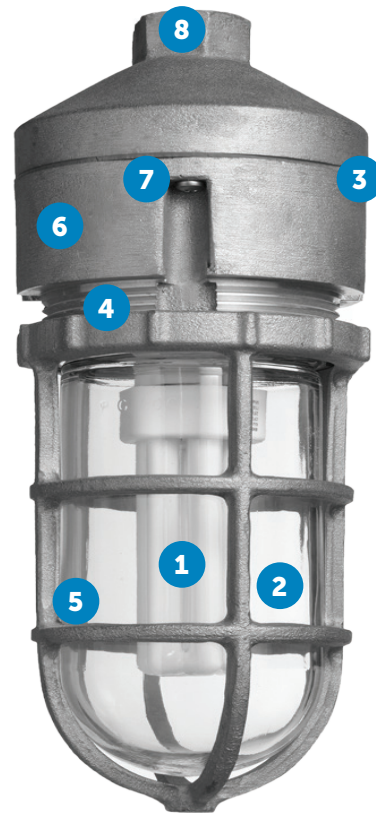
# BVP Series

## Brass lighting for marine and hazardous environments

### Key Features

Designed to meet the rugged demands of marine, petroleum and industrial applications, the BVP Series is suitable for Class I, Division 2 hazardous and marine outdoor salt spray areas. It's rugged construction protects against corrosion and is suitable for indoor and outdoor applications.

- 1 Choice of incandescent lamps up to 150W (A-21 Max); or compact fluorescent lamps (13W, 18W and 26W)
- 2 Heat-resistant soda lime glass globes offer additional protection
- 3 High-temperature silicone gasket
- 4 Threads are provided for quick and easy, trouble-free maintenance
- 5 Cast marine brass guard
- 6 Cast marine brass housing
- 7 Stainless steel hardware
- 8 Available in three mounting styles—pendant, ceiling and wall mounts



### Additional Features

- Class I, Division 2, Groups A, B, C and D
- Zone 2, Groups IIA, IIB and IIC
- NEMA 3, 4 & 4X
- UL 1598A Marine Outside Type
- UL 844 Hazardous Locations
- Enclosed and gasketed
- Glass or polycarbonate globe
- Suitable for indoor or outdoor use
- Suitable for hose-down
- Compact fluorescent or incandescent available
- Twist Lock Lamp Holder (CFL)

# BVP Series

## Brass lighting for marine and hazardous environments

### Catalog Number Logic



#### 1

##### BASIC SERIES

BVP Brass Series

(i) BVPH = Class I, Division 2, Groups A, B, C & D; UL 844 Hazardous Locations; UL 1598A Marine Outside Type; NEMA 3, 4, 4X

(ii) BVP = Marine; UL 1598A Marine Outside Type; NEMA 3, 4, 4X

#### 2

##### LAMP WATTAGE & TYPE

13F = 13 Watt Comp. Fluorescent (GX23-2 Base/120V)<sup>1</sup>

13F = 13 Watt Comp. Fluorescent (GX24q-1 Base/277V)<sup>1</sup>

18F = 18 Watt Comp. Fluorescent (G24q-2 Base)<sup>2</sup>

26F = 26 Watt Comp. Fluorescent (GX24q-3 Base)<sup>3</sup>

32F = 32 Watt Comp. Fluorescent (GX24q-3 Base)<sup>6</sup>

15I = Up to 150 Watt (A-21 Max.) Incandescent (Medium Base)<sup>4</sup>

#### 3

##### BALLAST VOLTAGE

12 = 120V 60 HZ

24 = 240V 50-60 HZ (Incandescent)<sup>4</sup>

27 = 277V 60 HZ

Starting Temperature with Electronic Ballast is 0°C (32°F)

#### 4

##### GLOBE

HR = Heat Resistant Soda Lime Glass

P = Polycarbonate Prismatic Globe (75 Watt Max.)<sup>5</sup>

CP = Clear Polycarbonate (75 watt max.)<sup>5</sup>; Colored Globes Available with BVP Only; Other Globes Available - Consult Factory

#### 5

##### GUARD

G = Guard<sup>5</sup>

#### 6

##### MOUNTING STYLE

P = Pendant

W = Wall Mount with Box

C = Ceiling

#### 7

##### OPTIONS

E1 = 1/2" NPT Dead End (single hole in any location)

E2 = 3/4" NPT Dead End (single hole in any location)

C1 = 1/2" NPT Thru Feed (two holes on opposite sides)

C2 = 3/4" NPT Thru Feed (two holes on opposite sides)

L1 = 1/2" NPT 90° (two holes at 90° angle)

L2 = 3/4" NPT 90° (two holes at 90° angle)

X1 = 1/2" NPT X (all four hubs drilled)

X2 = 3/4" NPT X (all four hubs drilled)

<sup>1</sup> Philips PLC 10mm/13/USA, OSRAM/Sylvania Dulux D(CF-13CC) or equal lamps for 120V. Philips PLC 13W/4P, OSRAM CF13DD/E or equal for 277V.

<sup>2</sup> Philips PLC 18, OSRAM/Sylvania Dulux (CF-18DD) or equal lamps.

<sup>3</sup> PLT-26. Dulux T-26 or equal lamps.

<sup>4</sup> Can only be ordered as 240V but can be wired from 110-240V

<sup>5</sup> Guard not available with polycarbonate globe.

<sup>6</sup> Phillips PLT-32 lamp.

Catalog logic is for explaining catalog number structure only. Not all combinations are possible; consult factory for catalog numbers not listed in charts.




### Certification Guide

Model	Ambient Temperature °C	Class I, Division 2 (When used with)		Supply Wire Suitable Temperature °C
		Globe	Refractor	
BVPH15I	40	T2C	T2B	90
BVPH26F	40	T3C	T3C	90
AVPH32F	40	T3	T3A	90

# BVP Series

## Brass lighting for marine and hazardous environments

### Mounting

Mounting Style	Lamp Type ①②	Lamp Watt	Catalog Number ③④		Shipping Weight (lbs.)
			Marine UL 1598A	Hazardous & Marine Locations UL 844 & UL1598	
 Pendant Mount	Incandescent	150	BVP15-I-24-HR-G-P	BVPH15-I-24-HR-G-P	8.3
	Compact Flour.	13	BVP13-F-12-HR-G-P	BVPH13-F-12-HR-G-P	8.3
	Compact Flour.	18	BVP18-F-12-HR-G-P	BVPH18-F-12-HR-G-P	8.3
	Compact Flour.	26	BVP26-F-12-HR-G-P	BVPH26-F-12-HR-G-P	8.3
	Compact Flour.	32	BVP32-F-12-HR-G-P	BVPH32-F-12-HR-G-P	8.3
 Ceiling Mount	Incandescent	150	BVP15-I-24-HR-G-C	BVPH15-I-24-HR-G-C	7.5
	Compact Flour.	13	BVP13-F-12-HR-G-C	BVPH13-F-12-HR-G-C	7.5
	Compact Flour.	18	BVP18-F-12-HR-G-C	BVPH18-F-12-HR-G-C	7.5
	Compact Flour.	26	BVP26-F-12-HR-G-C	BVPH26-F-12-HR-G-C	7.5
	Compact Flour.	32	BVP32-F-12-HR-G-C	BVPH26-F-12-HR-G-C	7.5
 Wall Mount	Incandescent	150	BVP15-I-24-HR-G-W	BVPH15-I-24-HR-G-W	14.5
	Compact Flour.	13	BVP13-F-12-HR-G-W	BVPH13-F-12-HR-G-W	14.5
	Compact Flour.	18	BVP18-F-12-HR-G-W	BVPH18-F-12-HR-G-W	14.5
	Compact Flour.	26	BVP26-F-12-HR-G-W	BVPH26-F-12-HR-G-W	14.5
	Compact Flour.	32	BVP32-F-12-HR-G-W	BVPH32-F-12-HR-G-W	14.5




① Incandescent lamps not furnished with the fixture.


② Compact fluorescent lamps furnished with the fixture.

③ 120V 13 Watt compact fluorescent fixture furnished with magnetic ballast.

④ 13 Watt/277V 18 & 26 Watt compact fluorescent fixture furnished with high power factor electronic ballast.

### Accessories

Globes	Type	Lamp Size	Color	Thread Diameter	Catalog Number
	Heat Treated Soda Lime Glass	150W	Clear	3-5/16 in.	VGL100HR
	Polycarbonate Prismatic	150W	Clear	3-5/16 in.	VGL100PPG <sup>1</sup>
	Glass Prismatic	150W	Clear	3-5/16 in.	VGL100PRISM

Guard	Description	Catalog Number
	Cast Brass Guard	59030BR

<sup>1</sup> To order colored globes, add suffix A (Amber), B (Blue), R (Red) or G (Green) to catalog number.

<sup>2</sup> Requires guard catalog number: 59030 (Not available with wall mount fixtures).

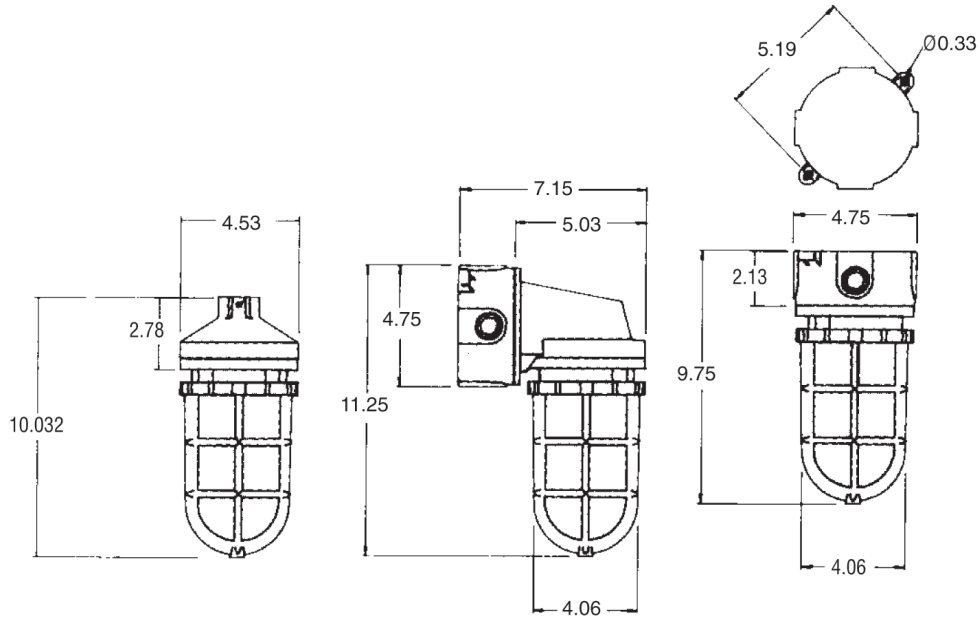
Colored globes available with BVP only.

# BVP Series

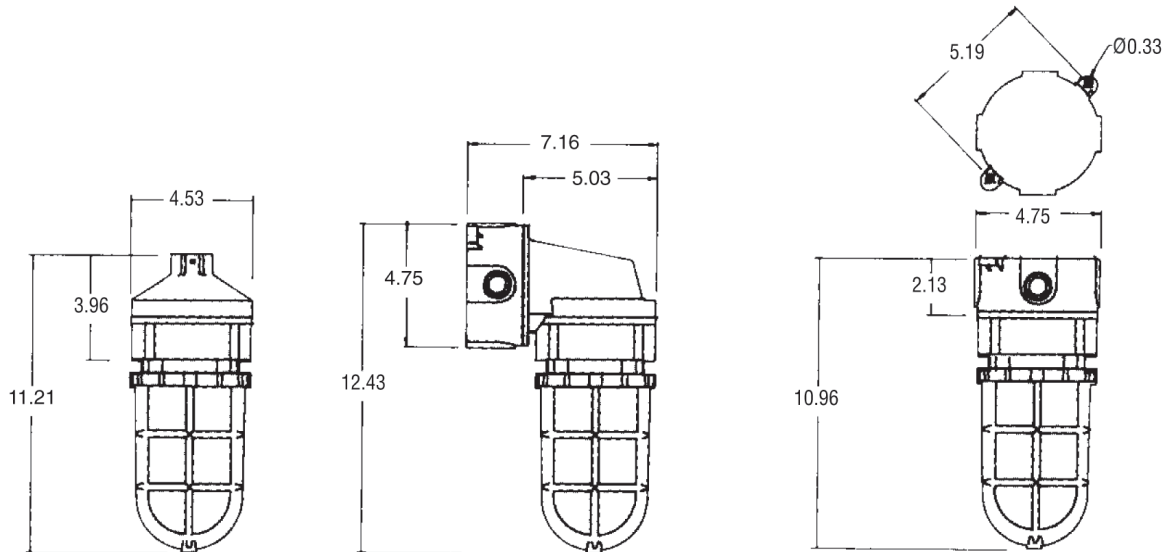
Brass lighting for marine and hazardous environments

## Fixture Dimensions (inches)

### 150 Watt (A-21 Max.) Incandescent Lamp



### 13, 18, 26 & 32 Watt Compact Fluorescent Lamp Glass Globe

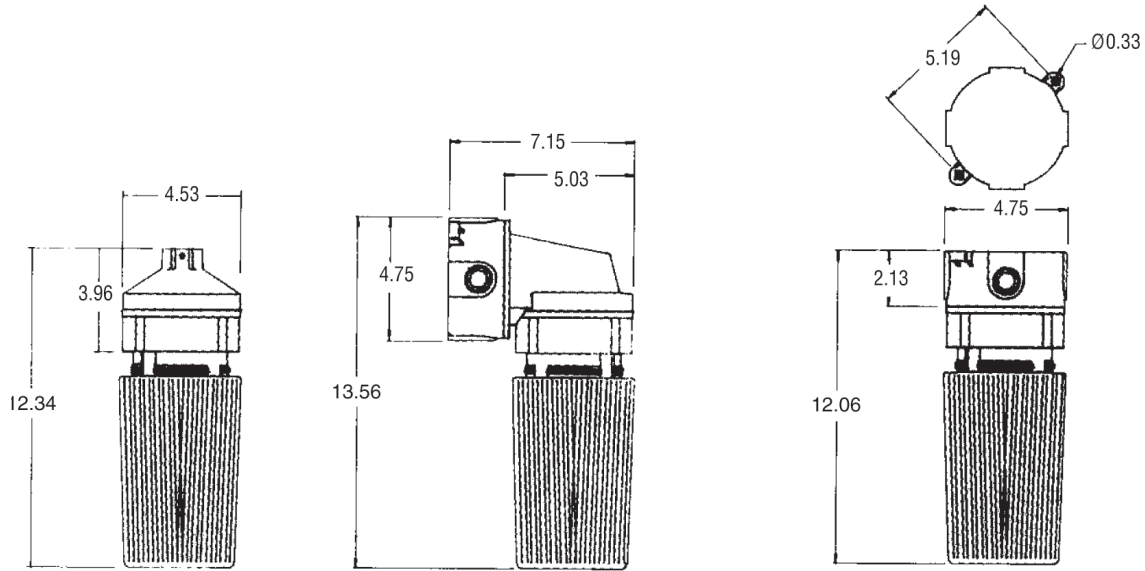


# BVP Series

Brass lighting for marine and hazardous environments

## Fixture Dimensions (inches)

### 26 Watt Compact Fluorescent Lamp with Polycarbonate Globe



## Coefficients of Utilization

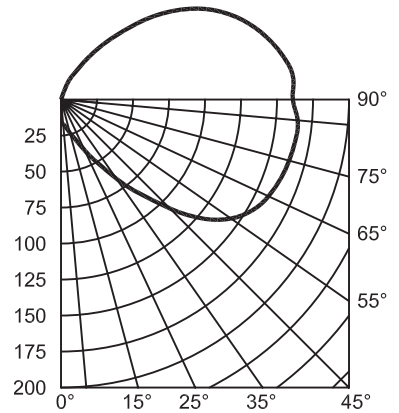
### BVP26FP

% Effective Ceiling Cavity Reflectance rcc	80			50			10		
	50	30	10	50	30	10	50	30	10
% Wall Reflectance rw									
Room Cavity Ratio RCR	Effective Floor Cavity Reflectance 20%								
0	.87	.87	.87	.69	.69	.69	.49	.49	.49
1	.69	.63	.59	.53	.49	.46	.35	.33	.31
2	.57	.50	.44	.43	.38	.34	.27	.24	.22
3	.48	.40	.34	.36	.31	.26	.22	.19	.16
4	.42	.33	.27	.31	.25	.21	.19	.15	.12
5	.36	.28	.22	.27	.21	.17	.17	.13	.10
6	.32	.24	.18	.24	.18	.14	.15	.11	.8
7	.28	.21	.16	.21	.16	.12	.13	.9	.7
8	.26	.18	.13	.19	.14	.10	.12	.8	.6
9	.23	.16	.12	.18	.12	.9	.11	.7	.5
10	.21	.14	.10	.16	.11	.8	.10	.7	.4

## Candlepower Distribution

Deg.	Norm.
5	17
15	24
25	39
35	67
45	107
55	144
65	159
75	164
85	165
90	161
95	162
105	152
115	135
125	110
135	75
145	41
155	18
165	1

## Photometric Data



An Avail Infrastructure Solutions Company

[availinfra.com/rig-a-lite](http://availinfra.com/rig-a-lite)

8500 Hansen Road,  
Houston, TX 77075  
(713) 943-0340