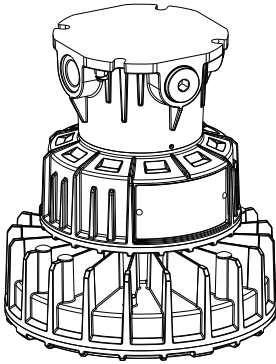


Explosion-proof LED Luminaire

EXA03 Series Installation and Operation Instructions



8500 Hansen Rd.
Houston, TX 77075 USA
Tel: (713) 943-0340
availinfra.com/rig-a-lite/



This product comply with below standard:

- IEC60079-0:2017, 7th Edition
- IEC60079-1:2014, 7th Edition
- IEC60079-31:2022, 3th Edition
- EN IEC 60079-0:2018
- EN 60079-1:2014
- EN 60079-31:2014

Applicable places are:

Gas: Zone 1,2 Dust: Zone 21, 22

Certifications:

- IECEX:
- Ex db IIC T6/T5 Gb
- Ex tb IIIC T80°C/T95°C Db IP66
- IECEX Certificate: IECEX TUR 21.0033X
- ATEX:
- II 2G Ex db IIC T6/T5 Gb
- II 2D Ex tb IIIC T80°C/T95°C Db IP66
- ATEX Certificate: TÜV 21 ATEX 8703 X

Typical application sites are: Chemical plant, oil and gas refineries, drilling rigs, petrochemical facilities, pulp and paper plant, foundries, waste and sewage treatment plant, pharmaceutical plant, mining, power generation, paint spray booths and where flammable vapors, gases, ignitable dusts, fibers or flying are present.

Physical Dimensions (Unit: mm/inch)

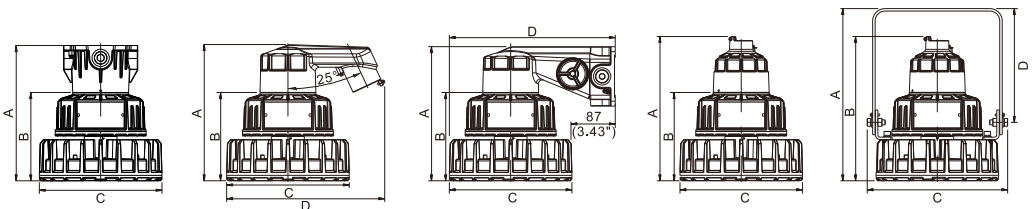
Ceiling Mount

25° Stanchion Mount

Wall Bracket

Pendant Mount

Trunnion Mount



Dimensions (inch/mm)

Unit	Ceiling Mount		25° Stanchion Mount				Wall Bracket				Pendant Mount			Trunnion Mount				
	A	B	C	A	B	C	D	A	B	C	D	A	B	C	A	B	C	D
inch	10.8	7.0	9.8	10.8	7.0	9.8	12.6	10.7	7.0	9.8	13.2	11.5	7.0	9.8	13.7	11.5	11.2	9.1
mm	274	179	248	275	179	248	320	271	179	248	336	292	179	248	348	292	284	230

Product Specifications

Power	30W	40W	50W	60W	70W
Input Voltage	100-277Vac, 50/60Hz				
Outlook Dimensions	Ceiling Mount: Φ 248x274mm (Dia.9.8" x10.8") 25° Stanchion Mount: 320x248x275mm (12.6"x9.8"x10.8") Wall Bracket: 336x248x271mm (13.2"x9.8"x10.7") Pendant Mount: Φ 248x292mm (Dia.9.8" x11.5") Trunnion Mount: 284x248x348mm (11.2"x9.8"x13.7")				
Luminaire Net Weight (\pm 0.3kg/ \pm 0.66Lbs)	Ceiling Mount: 8.3kg(18.26Lbs) 25° Stanchion Mount: 7.9kg(17.38Lbs) Wall Bracket: 9kg(19.8Lbs) Pendant Mount: 7.3kg(16.06Lbs) Trunnion Mount: 9kg(19.8Lbs)				
Working Temperature	-40°C to +65°C (-40°F to +149°F)				
Storing Temperature	-40°C to +70°C (-40°F to +158°F)				

Luminaire Shipping Packing List

Name	QTY
EXA03 Series luminaire	1 pc
EXA03 Series Installation and operation instructions	1 pc
EU Declaration-of-conformity	1 pc

Model Description

EXA 03-XXX-X-XX-XXX-XX-X-XX

- Options: WG=Wire Guard
- Mounting Style: C=Ceiling mount; P=Pendant mount;
W=Wall bracket; S=25° Stanchion mount; T=Trunnion mount.
- Diffusion Material: CG=Clear Glass
- Beam Distribution: 000=120°
- CCT(K): 20=2000; ... ; 65=6500; Re=Red; Gr=Green; Bl=Blue; Am=Amber.
- Voltage: U=100-277Vac, 50/60Hz.
- Lamp Wattage: 030=30W; 040=40W; 050=50W; 060=60W; 070=70W.
- Lamp Code: 03
- Series constant: EXA-Hazardous

Installation and Operation Instructions

Dear Customers and Users:

Thank you very much for purchasing our product. In order to better understand how to use this product safely, please read this instruction patiently and carefully. And please keep the manual properly for future reference.

Warnings:

1. The product can be connected to a power supply of 100-277VAC 50/60Hz, as specified on the label on the product.
2. DO NOT dismantle, modify or replace any internal electronic components. If you have any confusion during installation, please contact local dealer or contact us directly.
3. Please be sure to turn off the power before installation, maintenance or any other actions that may touch the light.
4. DO NOT install the lights on the surface that is easy to be damaged and deformed.
5. Under no circumstances can this light be covered with thermal insulation or any other similar materials.
6. If emergency or abnormality occurs, please cut off the power firstly and contact your local dealer as soon as possible.
7. The product is suitable for both indoor and outdoor use. Please do not touch the light while it is working.
8. Any installation and maintenance must be performed by certified electricians only.
9. Do not open the enclosure when the light is working.
10. Do not use this luminaire on an ungrounded circuit, otherwise it can cause a fatal electric shock.
11. Do not look directly at the LEDs when energized.

Safety Installation Guides

It's very important to cut off the power before removing the fixtures. Also, installer needs to be a qualified electrician. Remember, cut off power for at least 5 minutes then operate the removal.

● On-site installing

This manual is to provide the user with professional installation information, because the lamp is used in dangerous areas, so the qualified electrician is required. The inlet screw is NPT thread or metric thread (See the nameplate for details), cable entry must be installed with certified cable gland or blanking plug.

● Use and setting-up

All wires need to be tested for proper connection and safe installation before use. In order to avoid the risk of electrical damage and installation safety problem, these jobs must be performed by a qualified electrician.

● Assembling and dismantling

Installer needs to read the instruction carefully before processing the assembling. Please feel free to contact the manufacturer if there is confusion during the installation.

● Training instructions for a safe use

Regards the wiring diagram please refers to installation detailed instruction below. Normally, brown (or black) wire connects to live wire, blue (or white) to nature wire, green with yellow (or green) strips to the grounding.

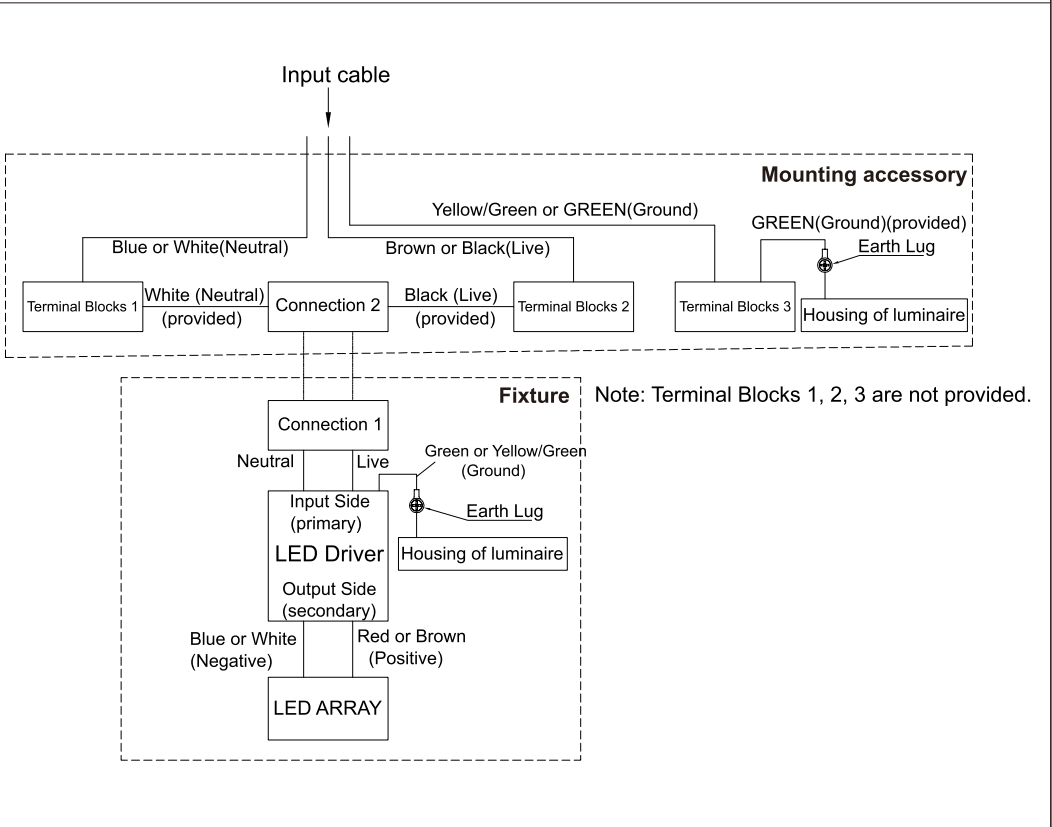
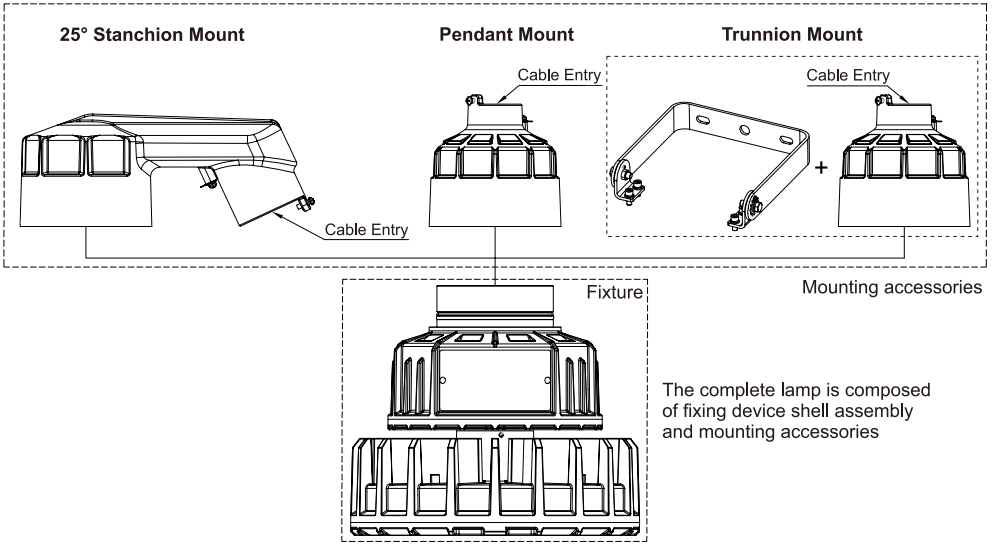
Special conditions for safe use:

1. End users shall adhere to the manufacturer's User manual: Use heat resistant cables and glands (not less than a service temperature of 102°C)
2. End users shall use Ex-certified cable glands and blanking elements with suitable type of protection for installation purpose. Minimum IP66 for chosen cable glands and blanking elements.
3. Electrostatic charging hazard – clean only with a damp cloth.
4. The product model, ambient temperature and temperature group list are as follows:

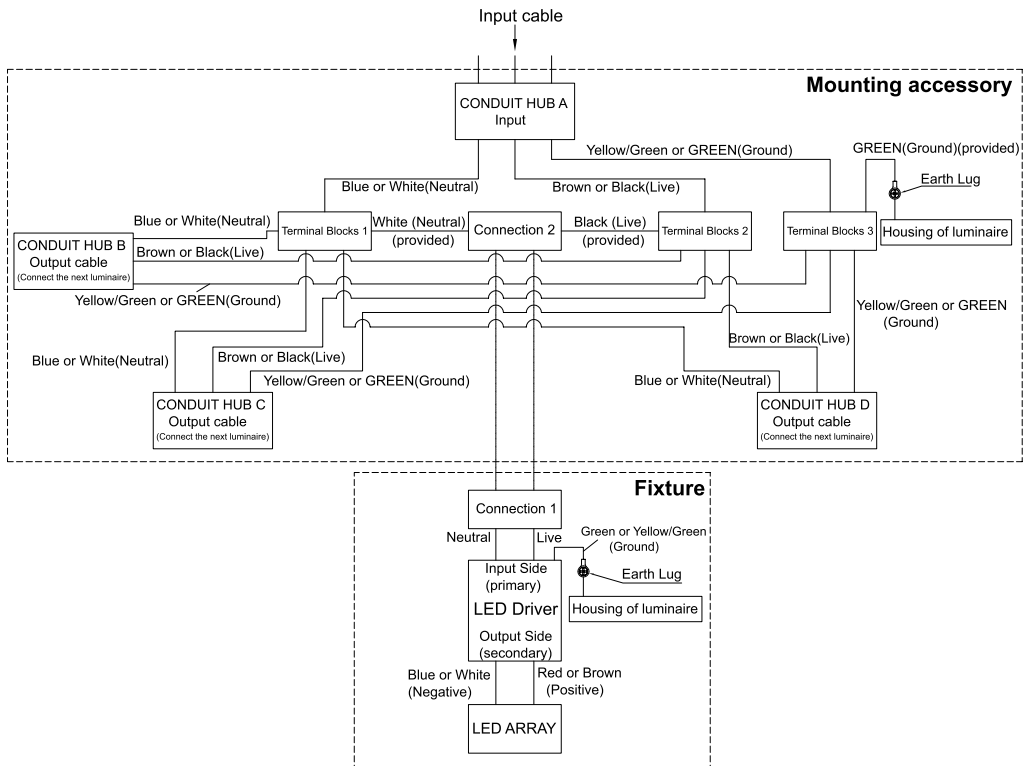
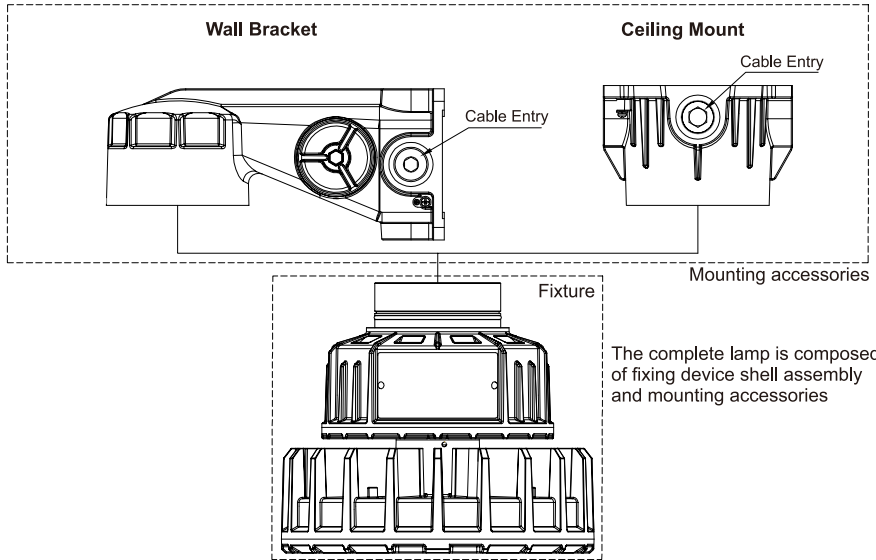
Product model	Tamb	Temperature class	Maximum surface temperature
		Gas("db")	Dust("tb")
EXA03-030series	-40°C to +65°C	T6	80°C
EXA03-040series			
EXA03-050series			
EXA03-060series	-40°C to +65°C	T5	95°C
EXA03-070series	-40°C to +55°C	T6	80°C

Wiring Diagram

One cable entry



Four cable entry

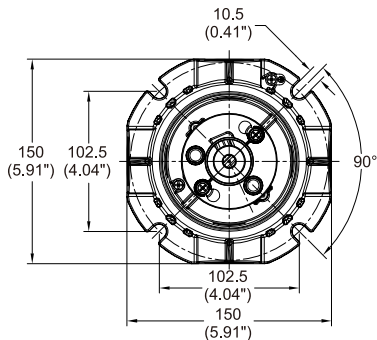
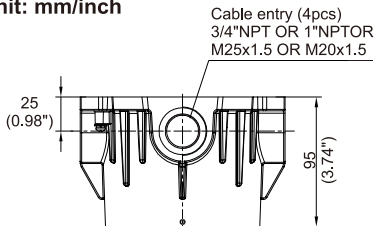


Note:

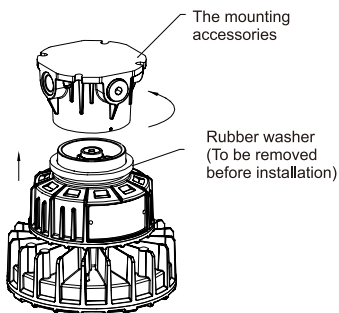
1. Terminal Blocks 1, 2, 3 are not provided.
2. CONDUIT HUB B, C, and D can be used for Interconnect luminaire and should be blocked with plugs when not in use.

Ceiling Mount

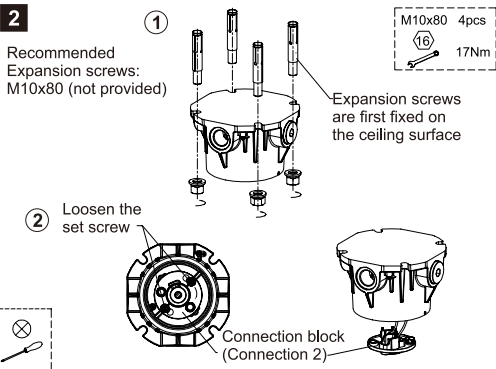
Unit: mm/inch



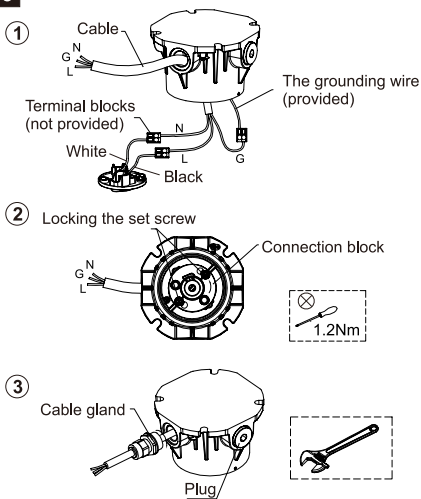
1



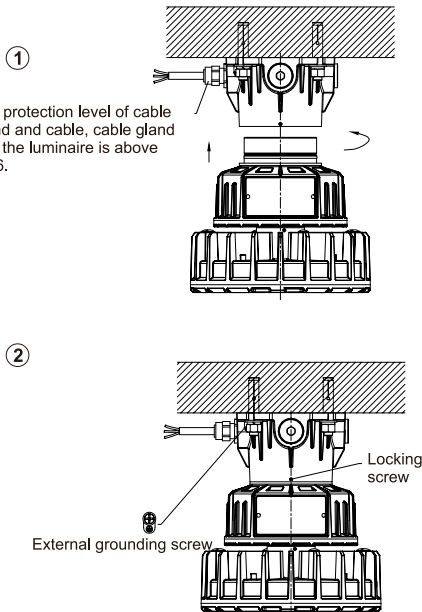
2



3

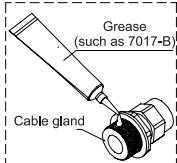


4



Notice:

- Use heat resistant cables and glands (rated 102°C).
- Shall use certified cable glands with suitable type of protection for installation purpose. Minimum IP66 for chosen cable glands.
- Before installation, the threads on the cable glands should be coated with grease (such as High and Low Temperature Grease 7017-B), and evenly coated.
- Cable entry should be blocked with plugs when not in use.



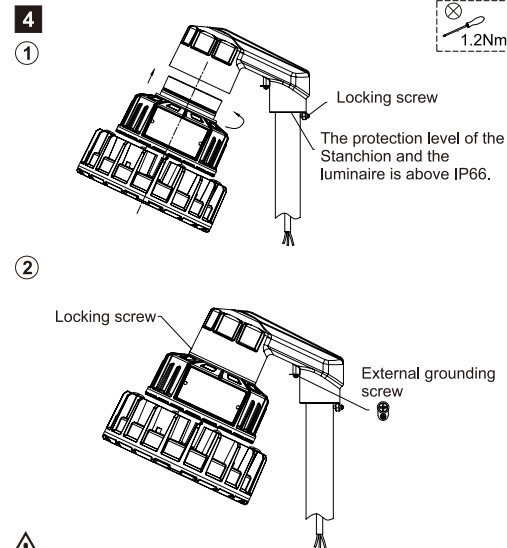
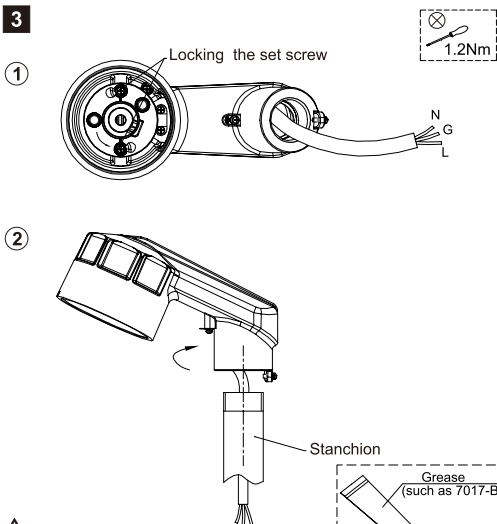
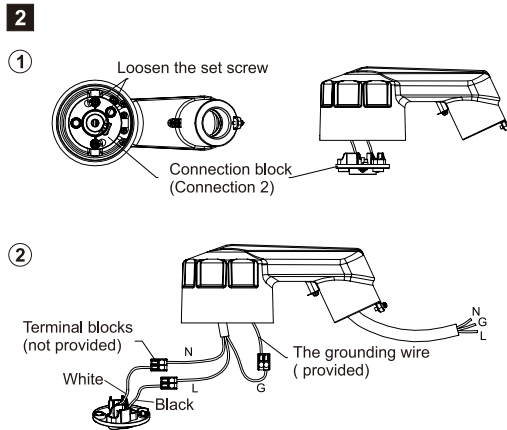
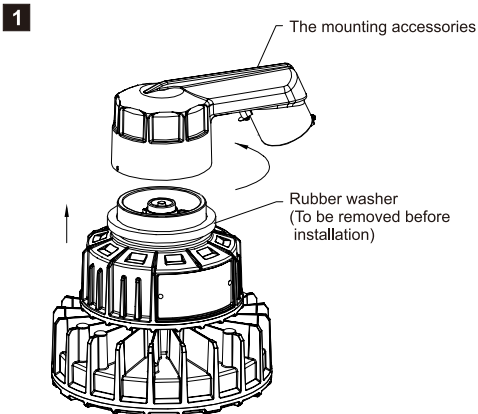
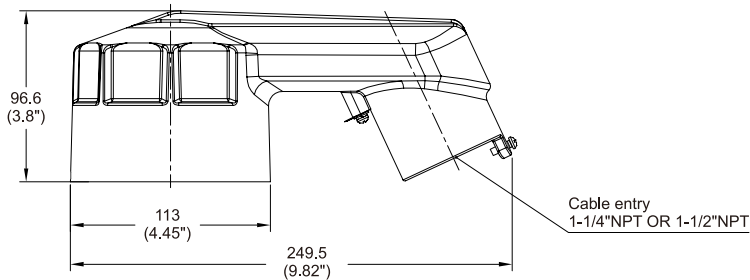
Notice:

- Connect the grounding wire (the cross-sectional area of the wire is not less than 4mm²) to the external grounding screw of the luminaire.



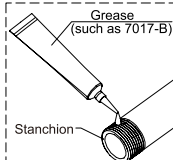
25° Stanchion Mount

Unit: mm/inch



! Notice:

- Use heat resistant cables (rated 102°C).
- Before installation, the threads on the stanchion should be coated with grease (such as High and Low Temperature Grease 7017-B), and evenly coated.



! Notice:

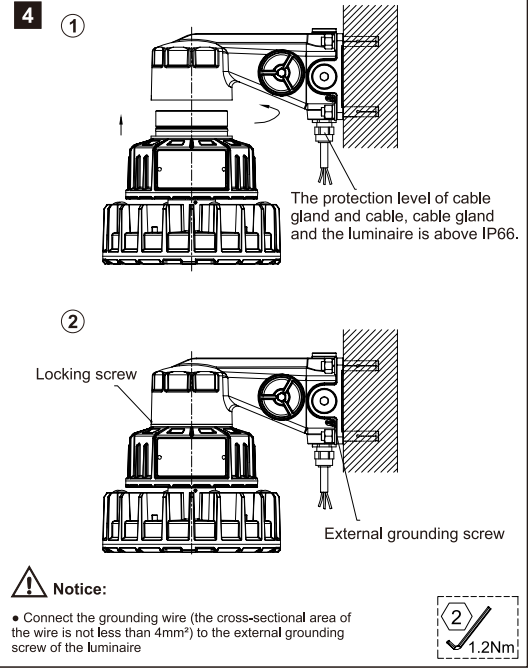
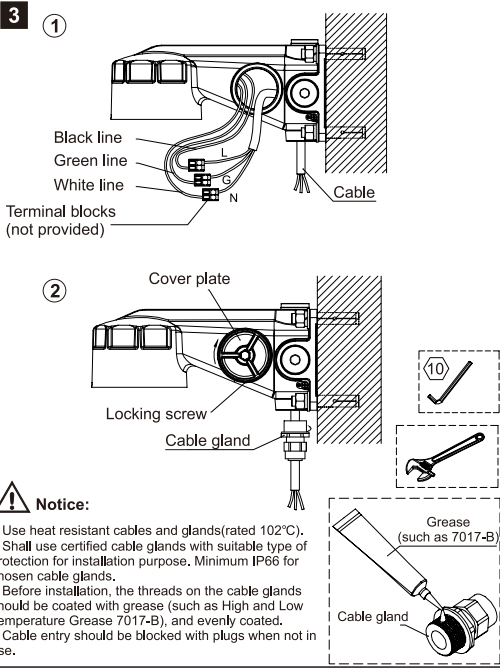
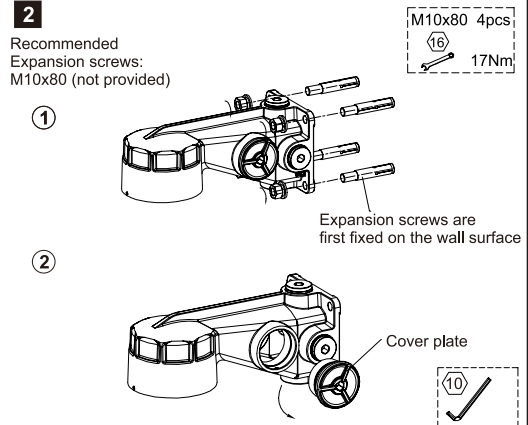
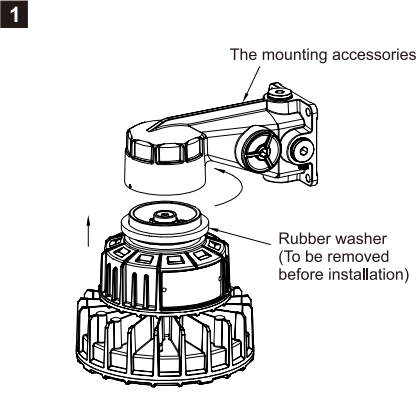
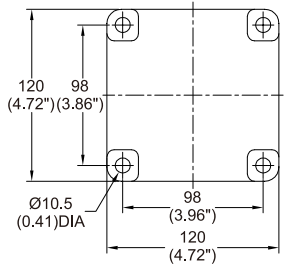
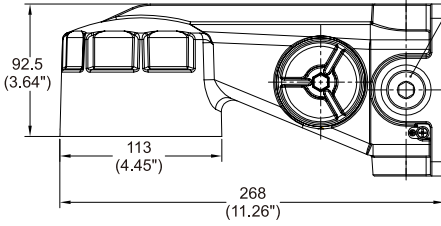
- Connect the grounding wire (the cross-sectional area of the wire is not less than 4mm²) to the external grounding screw of the luminaire.



Wall Bracket

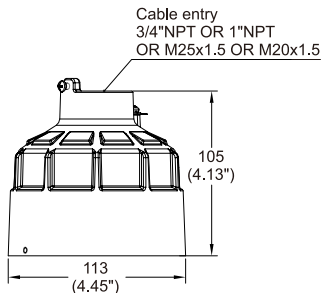
Unit: mm/inch

Cable entry (4pcs)
3/4"NPT OR 1"NPT
OR M25x1.5 OR M20x1.5

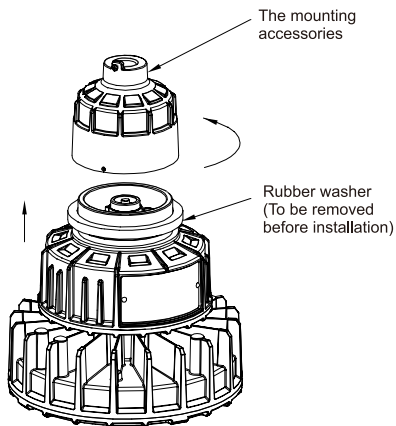


Pendant Mount

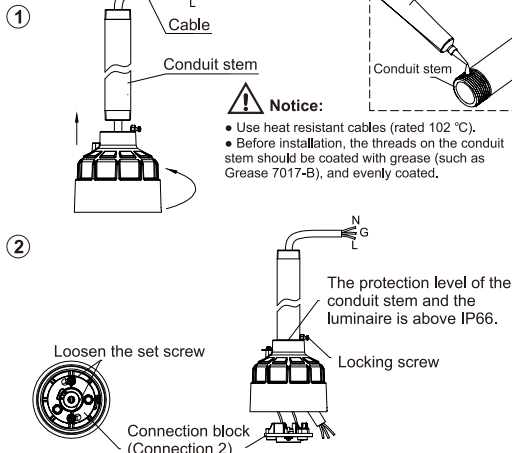
Unit: mm/inch



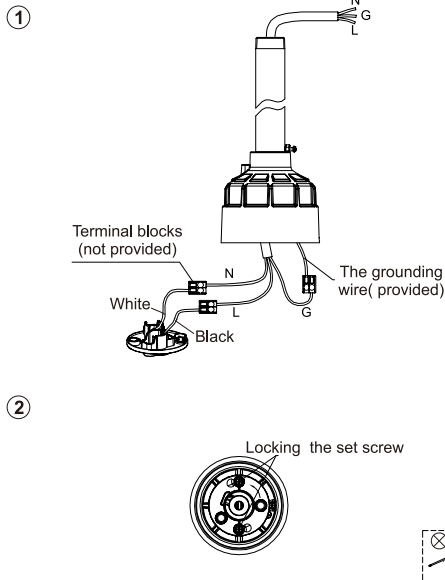
1



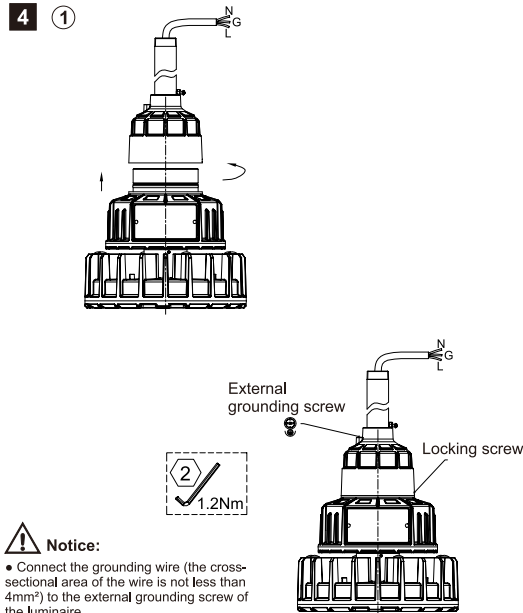
2



3

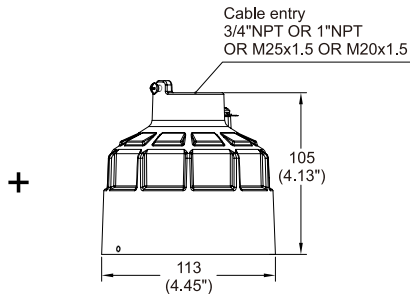
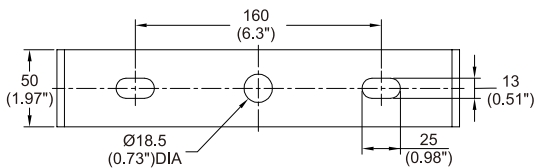


4

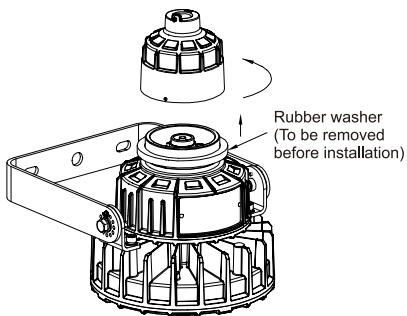


Trunnion Mount

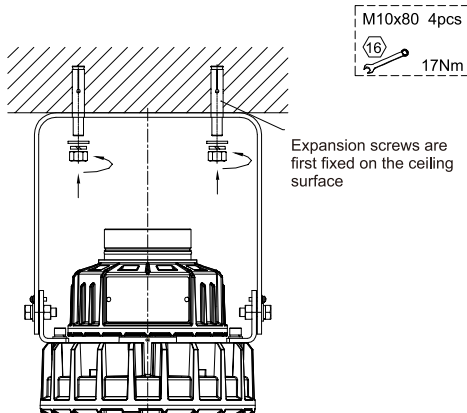
Unit: mm/inch



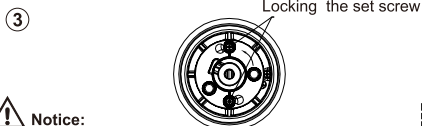
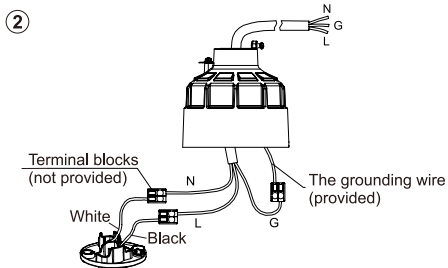
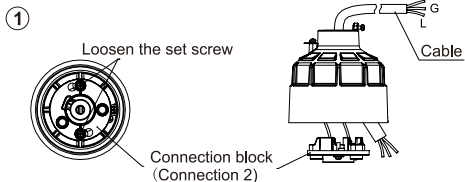
1



2



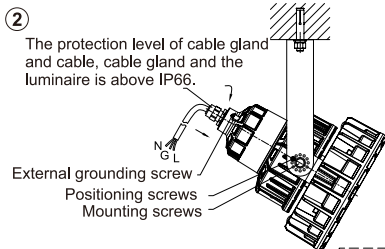
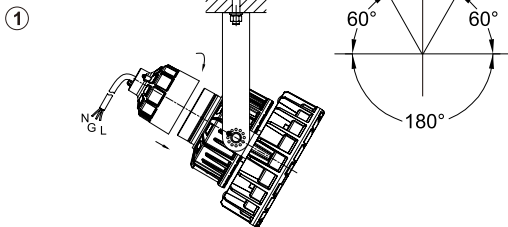
3



Notice:

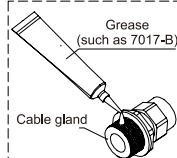
- Use heat resistant cables (rated 102°C).

4



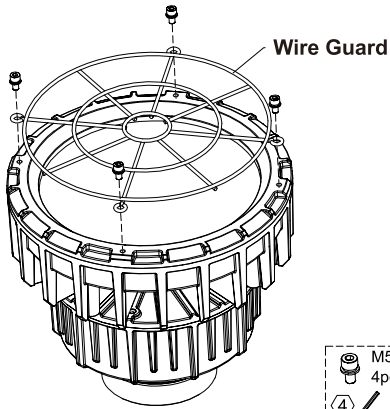
Notice:

- Shall use certified cable glands with suitable type of protection for installation purpose, Minimum IP66 for chosen cable glands.
- Before installation, the threads on the cable glands should be coated with grease (such as High and Low Temperature Grease 7017-B), and evenly coated.
- The lighting angle of the lamp can be adjusted by mounting screws and positioning screws.

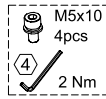
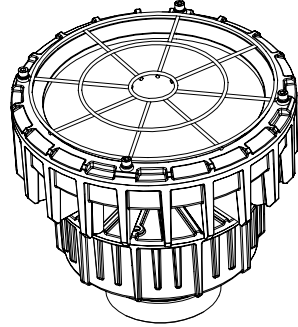


Accessory Mount

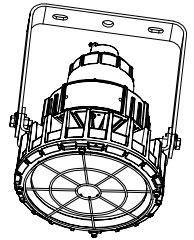
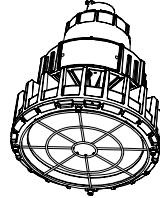
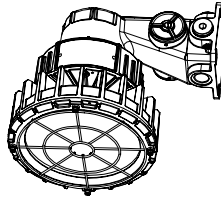
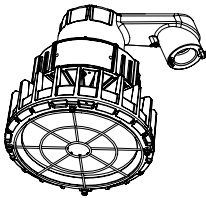
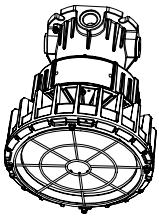
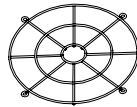
1



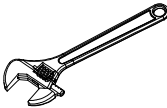
2



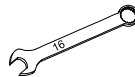
Wire Guard - If provided, it would be mounted on the luminaire. No additional installation is required.



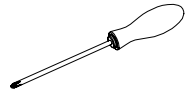
Tools That May Be Used During Installation



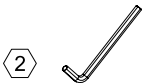
Adjustable wrench



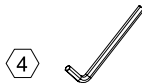
Bayonet wrench



Cross screwdriver



Internal hexagonal wrench



Internal hexagonal wrench



Internal hexagonal wrench