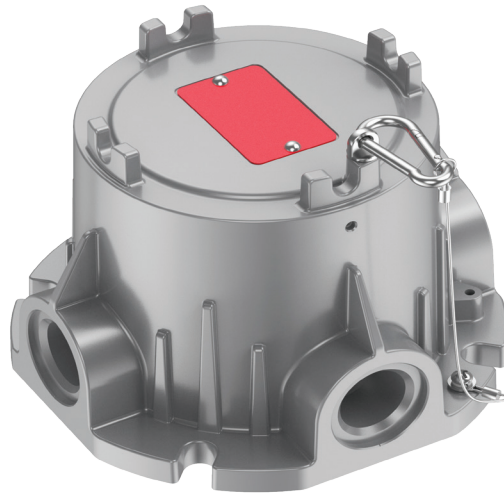


EXJB01

Explosion-proof junction box for LED lighting in hazardous-rated locations

RIG-A-LITE™
An Avail Infrastructure Solutions Company



EX-SERIES

Globally certified protection for hazardous environments

The RIG-A-LITE EX-Series meets IECEx and ATEX standards, providing compliance, durability, and safety for hazardous locations. Designed for the Middle East, North Africa, Southeast Asia, and other ATEX/IECEx-certified regions, the EX-Series delivers reliable performance in extreme conditions.

Classifications

- Zone 1, 2
- Zone 21, 22
- IK10
- IP66

IECEx

- Ex db IIC T6 Gb
- Ex tb IIIC T80 C Db IP66

ATEX

- II 2G Ex db IIC T6 Gb
- II 2D Ex tb IIIC T80 C Db IP66



availinfra.com/rig-a-lite

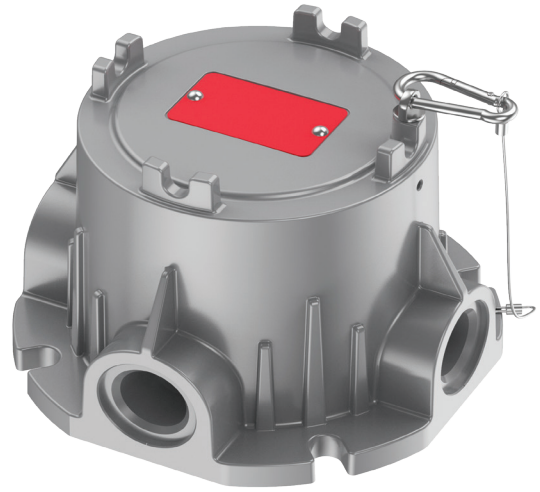
8500 Hansen Road
Houston, TX 77075
(713) 943-0340

EXJB01

Explosion-proof junction box for LED lighting in hazardous-rated locations

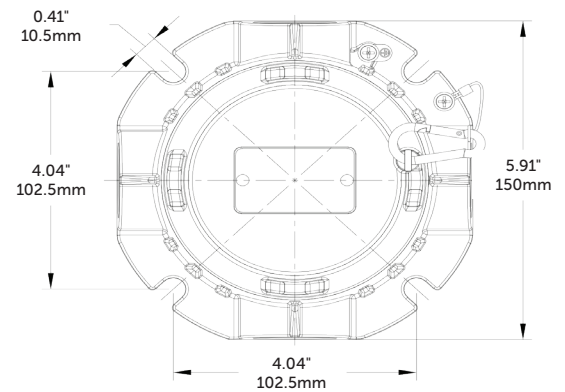
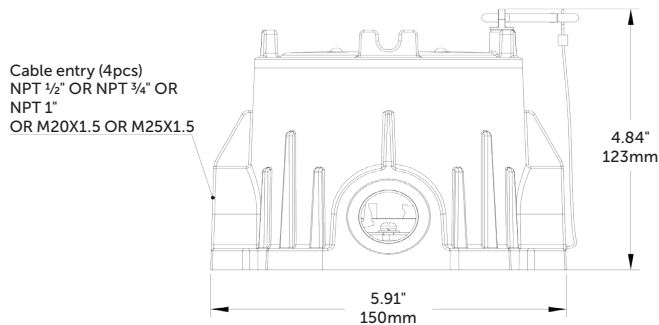
Key Features

- Certified explosion-proof, waterproof, dustproof, anti-corrosion, and shock-resistant
- Aluminum alloy (less than 0.4% copper) body and powder coating, suitable for harsh and corrosive marine environments
- Threaded design to contain explosions and prevent flames, sparks, and hot gases from escaping
- Max 4 cable entries, support loop-in/loop-out connection 1/2" NPT, 3/4" NPT, 1" NPT, M20 1.5, optional M25 1.5
- Max operating temperature range: -60°C to 75°C
- Corrosion category C4 (ISO 9223:2012)
- 5-year warranty



Dimensions	Weight
5.9" x 5.9" x 4.8"	4.85 lbs.
150mm x 150mm x 123mm	2.2 kg

Ceiling Mount



An Avail Infrastructure Solutions Company

availinfra.com/rig-a-lite

8500 Hansen Road
Houston, TX 77075
(713) 943-0340