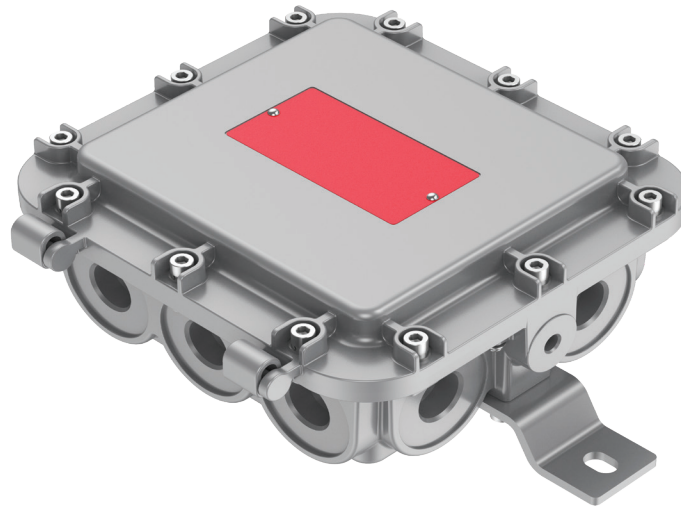


EXJB02

Explosion-proof junction box for LED lighting in hazardous-rated locations

RIG-A-LITE™
An Avail Infrastructure Solutions Company



EX-SERIES

Globally certified protection for hazardous environments

The RIG-A-LITE EX-Series meets IECEx and ATEX standards, providing compliance, durability, and safety for hazardous locations. Designed for the Middle East, North Africa, Southeast Asia, and other ATEX/IECEx-certified regions, the EX-Series delivers reliable performance in extreme conditions.

Classifications

- Zone 1, 2
- Zone 21, 22
- IK10
- IP66

IECEx

- Ex db IIB+H2 T6 Gb
- Ex eb IIC T4 Gb
- Ex tb IIIC T80 C Db IP66
- IECEx Certificate CSAE 24.0054X

ATEX

- II 2G Ex db IIB+H2 T6 Gb
- II 2G Ex eb IIC T4 Gb
- II 2D Ex tb IIIC T80 C Db IP66
- ATEX Certificate CSANe 24ATEX1153X



availinfra.com/rig-a-lite

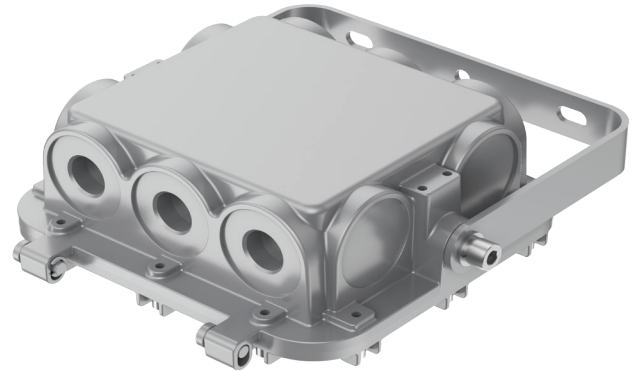
8500 Hansen Road
Houston, TX 77075
(713) 943-0340

EXJB02

Explosion-proof junction box for LED lighting in hazardous-rated locations

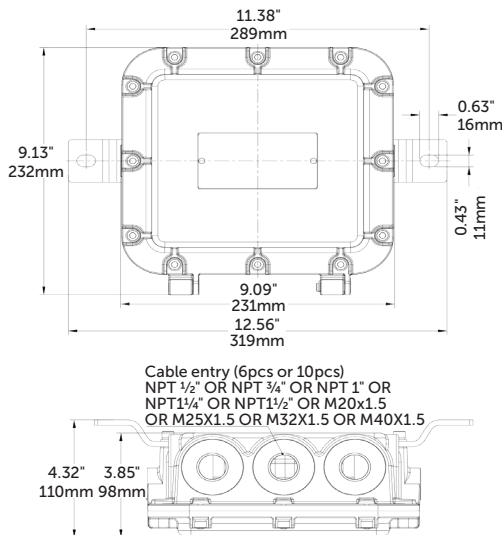
Key Features

- Certified explosion-proof, waterproof, dustproof, anti-corrosion, and shock-resistant
- Aluminum alloy (less than 0.4% copper) body and powder coating, suitable for harsh and corrosive marine environments
- Threaded design to contain explosions and prevent flames, sparks, and hot gases from escaping
- Choice of ceiling or trunnion mount (trunnion mounting bracket is not included)
- Max 10 cable entries: 1/2" NPT, 3/4" NPT, 1" NPT, 1-1/4" NPT, M20 1.5, M25 1.5, M32 1.5, M40 1.5, optional 1-1/2" NPT
- Max operating temperature range: -60°C to 70°C
- Corrosion category C4 (ISO 9223:2012)
- 5-year warranty

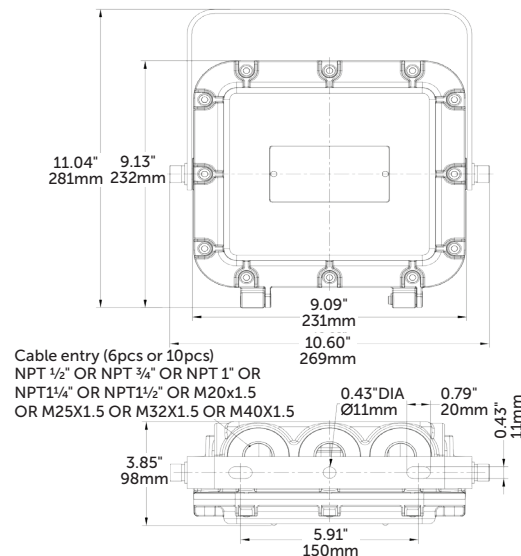


Dimensions	Weight
9.1" x 9.0" x 3.8"	7.71 lbs.
232mm x 231mm x 98mm	3.5 kg

Ceiling Mount



Trunnion Mount



An Avail Infrastructure Solutions Company

availinfra.com/rig-a-lite

8500 Hansen Road
Houston, TX 77075
(713) 943-0340