

# HLEX LED Series

Hazardous location  
edge lit LED exit sign

**RIG-A-LITE™**  
An Avail Infrastructure Solutions Company



## Classifications

- Class I, Division 2, Groups A, B, C & D
- Class II, Division 2, Groups F & G
- Class III
- UL 1598A Marine Outside Type
- Temperature Class (T-Rating)-T6
- Patent No. 7,287,347
- IP65
- ETL Listed

[availinfra.com/rig-a-lite](http://availinfra.com/rig-a-lite)

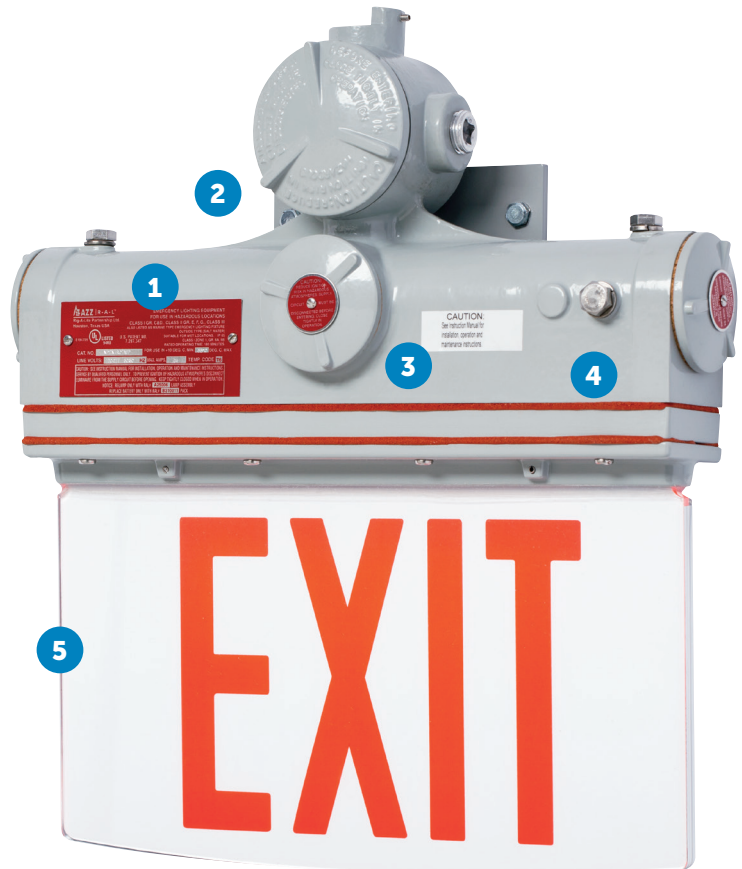
8500 Hansen Road  
Houston, TX 77075  
(713) 943-0340

# HLEX LED Series

## Hazardous location edge lit LED exit sign

### Key Features

- 1 Emergency battery back-up integral to sign (no additional enclosure required)
- 2 3-hour emergency operation
- 3 Optional battery back-up self-diagnostic feature
- 4 Field replaceable LED circuit boards and drivers with quick disconnects
- 5 Edge-lit sign



### Additional Features

- Wall, pendant and end mounting options
- Alternate exit legend and languages available
- Single- or double-sided option
- Sealed NiCad batteries
- Provided with three (3) 1/2" NPT hubs
- Red or green LED options

### Standard Materials

#### Body:

A356T6 Aluminum (less than .4% copper content) with baked-on gray epoxy finish

#### Gaskets:

One-piece Silicone

#### Sign:

Acrylic

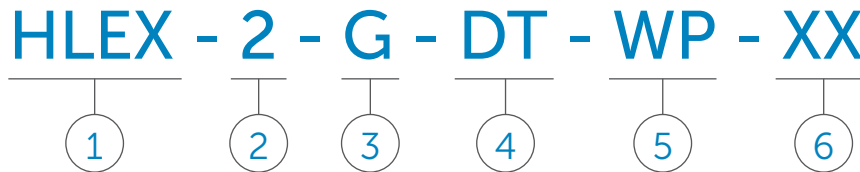
#### Hardware:

Stainless Steel

# HLEX LED Series

## Hazardous location edge lit LED exit sign

### Catalog Number Logic



#### 1

##### BASIC SERIES

HLEX Explosion Proof LED Exit Light  
Class I, Division 2, Groups A, B, C, & D  
Class II, Division 2, Groups F & G  
Class III  
UL 1598A Marine Outside Type  
IP65  
ETL Listed  
Temperature Class (T-Rating)-T6

#### 2

##### NUMBER OF FACES

1 = Single Face  
2 = Double Face

#### 3

##### LEGEND COLOR

R = Red  
G = Green

#### 4

##### VOLTAGE/FREQUENCY

DT = 120/277V 60 HZ  
24 = 220-240V 50/60 HZ  
Other voltages available- consult factory.

#### 5

##### MOUNTING

WP = Wall/Pendant Mounting  
EB = End Bracket

#### 6

##### OPTIONS<sup>1</sup>

EM = Emergency Battery Backup  
SD = Self Diagnostics <sup>2</sup>  
X = Exit Legend in Other Languages  
Language Must be Specified

<sup>1</sup> Consult factory for pricing.

<sup>2</sup> Must be preceded with EM.

*Catalog logic is for explaining catalog number structure only. Not all combinations are possible; consult factory for catalog numbers not listed in charts.*

### Maximum Input Power

#### Red No Battery:

1.5 Watts

#### Red With Battery:

2.5 Watts

#### Green No Battery:

2.3 Watts

#### Green With Battery:

3.0 Watts

### Operating Temperature Range

#### Temperature Rating:

T6

#### Red Legend:

+10° C Minimum to +55° C Maximum

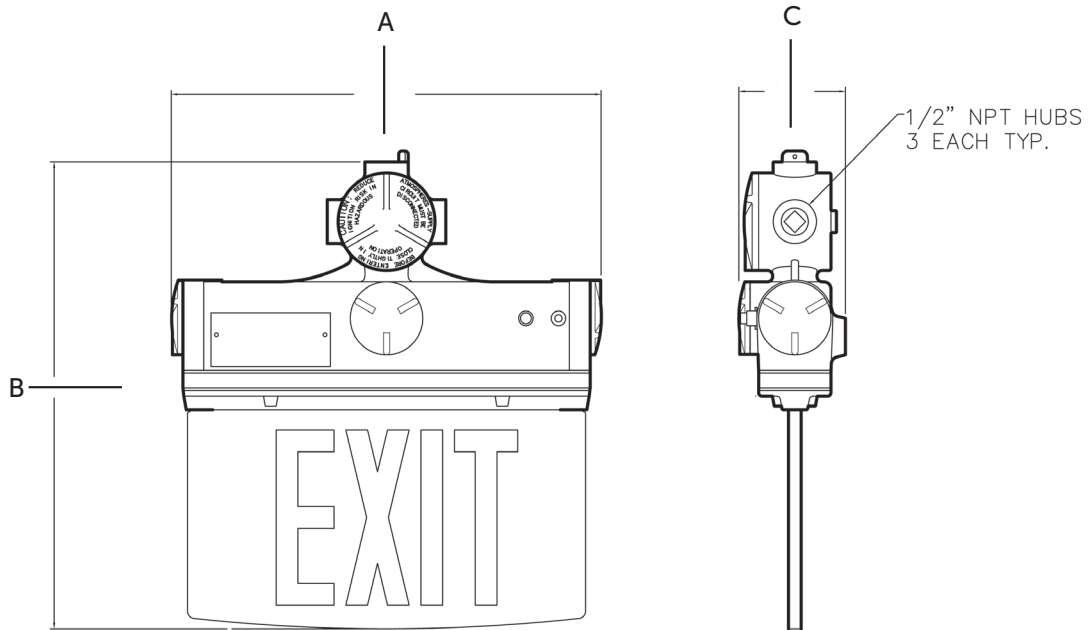
#### Green Legend:

+10° C Minimum to +40° C Maximum

# HLEX LED Series

## Hazardous location edge lit LED exit sign

### HLEX Series Fixture Dimensions (inches)



HLEX Series	Dimensions (inches)			Boxed Weight	Shipping Volume (Boxed Fixture)
	A	B	C		
HLEX LED Exit Sign	14.88	16.00	3.69	14 lbs.	1.24 cu. ft.



An Avail Infrastructure Solutions Company

[availinfra.com/rig-a-lite](http://availinfra.com/rig-a-lite)

8500 Hansen Road  
Houston, TX 77075  
(713) 943-0340