

LED Solutions for Industrial Applications

Advanced lighting for demanding environments

 **RIG-A-LITE™**



Designed for optimal performance in today's industrial applications

Established in 1938 to support the rugged lighting requirements of the drilling industry, RIG-A-LITE quickly earned a reputation for quality, dependability and performance.

Today, our focus has expanded to providing long-lasting, purpose-built products to a vast array of demanding industries, including petrochemical, midstream oil and gas, food processing, water treatment and steel production.

Ruggedly constructed with the highest quality materials, RIG-A-LITE Products are designed for lasting performance within the most hostile of industrial environments. From highly corrosive chemicals and extreme temperatures to jarring vibrations and punishing wash down, our diverse portfolio of LED solutions provides superior illumination and maximum durability.

To complement durable design and performance, our designs provide the unique benefit of field-replaceable circuit boards and drivers. With a high degree of serviceability, individual components can be replaced as needed, maximizing service life while lowering total cost of ownership.

Safe, reliable lighting from a partner with nearly 90 years' experience



The hardest-working fixtures for the toughest environments

		Petrochemical & Refining	Pulp & Paper	Food Processing	Midstream Oil & Gas	Grain Processing	Wastewater Treatment	Surface Mining	Clean Room & Sanitary
Hazardous-rated linear	CHL LED	●	●	●	●	●	●	●	●
	MHL LED	●	●	●	●	●	●	●	●
	MHLS LED	●	●	●	●	●	●	●	●
	MHD2 LED	●	●	●	●	●	●	●	●
	MHDS LED	●	●	●	●	●	●	●	●
	MHDA LED	●	●	●	●	●	●	●	●
	HNMF2 LED	●	●	●	●	●	●	●	●
	MAR2 LED	●	●	●	●	●	●	●	●
Explosion-proof, hazardous-rated linear	XML LED	●	●	●	●	●	●	●	●
	XP LED	●	●	●	●	●	●	●	●
Hazardous-rated floodlight	LHFL LED	●	●	●	●	●	●	●	●
	LHFLJ LED	●	●	●	●	●	●	●	●
	SHLF LED	●	●	●	●	●	●	●	●
Hazardous-rated high-bay/mid-bay	HLHB Hi-Lumen LED	●	●	●	●	●	●	●	●
	LHFL High-/Mid-Bay LED	●	●	●	●	●	●	●	●
	LHFLJ High-/Mid-Bay LED	●	●	●	●	●	●	●	●
	SHLF High-/Mid-Bay LED	●	●	●	●	●	●	●	●
Hazardous-rated area light	HZALJ Hi-Lumen LED	●	●	●	●	●	●	●	●
	HZALJ LED	●	●	●	●	●	●	●	●
	SAFR LED	●	●	●	●	●	●	●	●
	SAFJ LED	●	●	●	●	●	●	●	●
Explosion-proof area light	XHBF LED	●	●	●	●	●	●	●	●
	SXPJ LED	●	●	●	●	●	●	●	●
Hazardous-rated/harsh location globe and guard	AVPH LED	●	●	●	●	●	●	●	●
	BVP LED	●	●	●	●	●	●	●	●
Hazardous-rated/harsh location NSF-certified food processing	FPHB LED	●	●	●	●	●	●	●	●
	HFPA LED	●	●	●	●	●	●	●	●
	FPF LED	●	●	●	●	●	●	●	●
	WFH LED	●	●	●	●	●	●	●	●
Hazardous-rated clean room	CRH LED	●	●	●	●	●	●	●	●
	CRO LED	●	●	●	●	●	●	●	●
Explosion-proof exit light and edge-lit sign	XPEL LED	●	●	●	●	●	●	●	●
	XPEH LED	●	●	●	●	●	●	●	●
Hazardous-rated edge-lit sign	HLEX LED	●	●	●	●	●	●	●	●
	HLS LED	●	●	●	●	●	●	●	●
Explosion-proof edge-lit sign	XPEX LED	●	●	●	●	●	●	●	●
	XPS LED	●	●	●	●	●	●	●	●

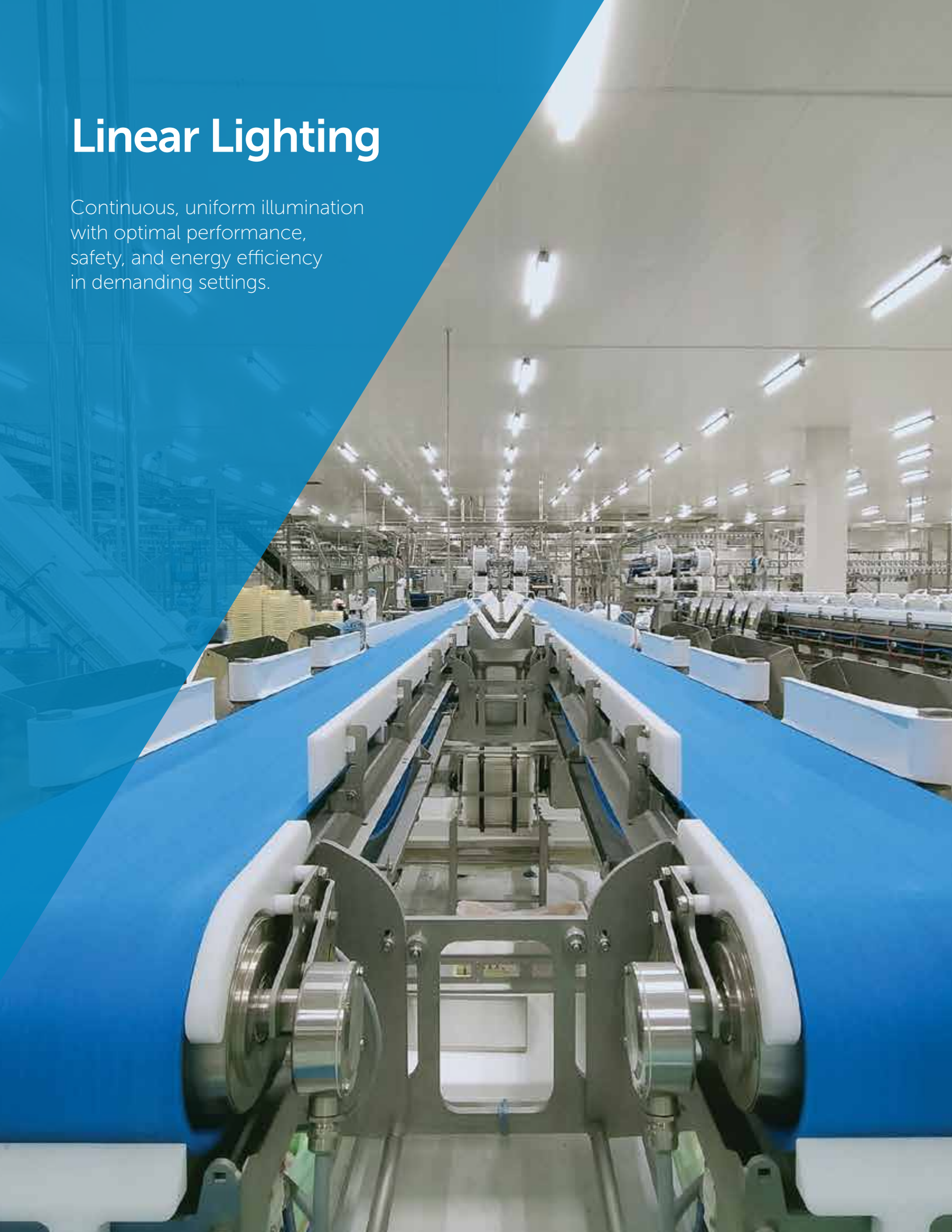
● Broad application ● Limited application ● May not be suitable

Table of Contents

Model Number	Description	Wattage	Lumens	Comparable Traditional Luminaire	Page #
LINEAR LIGHTING					
CHL LED	Hazardous-rated linear	30w-80w	3710-9884	2 x 54w T5HO / 2 x 48w T12HO	6
MHL LED	Hazardous-rated linear	27w-77w	3620-11252	2 x 54w T5HO / 2 x 48w T12HO	7
MHLS LED	Hazardous-rated linear (stainless)	27w-77w	3620-11252	2 x 54w T5HO / 2 x 48w T12HO	8
XML LED	Explosion-proof, hazardous-rated linear	30w-90w	3806-12253	3 x 54w T5HO / 2 x 60w T12HO	9
XP LED	Explosion-proof, hazardous-rated linear	16w-100w	2537-15790	4 x 48w T12HO	10
MHD2 LED	Hazardous-rated linear (non-metallic)	48w-74w	7437-10860	2 x 54w T5HO / 2 x 48w T12HO	11
MHDS LED	Hazardous-rated linear (stainless)	48w-74w	7437-10860	2 x 54w T5HO / 2 x 48w T12HO	12
MHDA LED	Hazardous-rated linear (aluminum)	48w-74w	7437-10860	2 x 54w T5HO / 2 x 48w T12HO	13
HNMF2 LED	Hazardous-rated linear	54w-80w	7215-11223	2 x 54w T5HO / 2 x 48w T12HO	14
MAR2 LED	Hazardous-rated linear	56w-74w	5476-7660	2 x 32w T8 to 2 x 54w T5HO / 2 x 48w T12HO	15
FLOOD LIGHTING					
LHFL LED	Hazardous-rated linear floodlight/high-bay	64w-194w	8059-25940	175w to 750w MH	17
LHFLJ LED	Hazardous-rated linear floodlight/high-bay	64w-127w	8059-16420	175w to 400w MH	18
SHLF LED	Hazardous-rated linear floodlight/high-bay (stainless)	60w-115w	7248-13790	175w to 400w MH	19
HIGH-/MID-BAY LIGHTING					
HLHB Hi-Lumen LED	Hazardous-rated high-bay	200w-655w	30973-95813	1000w MH	21
AREA LIGHTING					
HZALJ Hi-Lumen LED	Hazardous-rated area	118w-246w	15000-30000	400w to 750w MH	23
HZALJ LED	Hazardous-rated area	22w-97w	3253-13430	100w to 400w MH	24
SAFR LED	Hazardous-rated area	60w-77w	6840-10160	175w to 250w MH	25
SAFJ LED	Hazardous-rated area	30w-42w	3030-5210	70w to 100w MH	26
XHBF LED	Explosion-proof area	60w-153w	7094-15044	175w to 600w MH	27
SXPJ LED	Explosion-proof area	42w-77w	5063-9112	100w to 250w MH	28
GLOBE & GUARD LIGHTING					
AVPH LED	Hazardous-rated globe and guard (aluminum)	20w	1769	42w CFL	30
BVP LED	Harsh location globe and guard (brass)	20w	1769	42w CFL	31
FOOD PROCESSING LIGHTING					
FPHB LED	Harsh location, debris-shedding area	91w-249w	11884-31520	400w to 750w MH	33
HFPA LED	Hazardous-rated, debris-shedding area	91w-249w	11884-31520	400w to 750w MH	34
FPF LED	Harsh location, debris-shedding linear	33w-130w	4169-16674	2 x 24w T5HO	35
WFH LED	Hazardous-rated, debris-shedding high-bay	149w	13090-14112	4 x 54w T5HO / 6 x 32w T8	36
CLEAN ROOM LIGHTING					
CRH LED	Hazardous-rated recessed	41w-296w	5250-35300	6 x 54w T5HO	38
CRO LED	Harsh location recessed	41w-296w	4235-35300	6 x 54w T5HO	39
EXIT & EMERGENCY LIGHTING/SIGNAGE					
XPEL LED	Explosion-proof edge-lit emergency light/exit sign	4w-8w	421 (per head)	N/A	41
XPEH LED	Explosion-proof edge-lit emergency light	6.5w-11w	421 (per head)	N/A	42
XPS LED	Explosion-proof edge-lit sign	1.5w-3w	N/A	N/A	43
XPEX LED	Explosion-proof edge-lit exit sign	1.5w-3w	N/A	N/A	43
HLEX LED	Hazardous-rated edge-lit exit sign	1.5w-3w	N/A	N/A	43
HLS LED	Hazardous-rated edge-lit sign	1.5w-3w	N/A	N/A	43

Linear Lighting

Continuous, uniform illumination with optimal performance, safety, and energy efficiency in demanding settings.

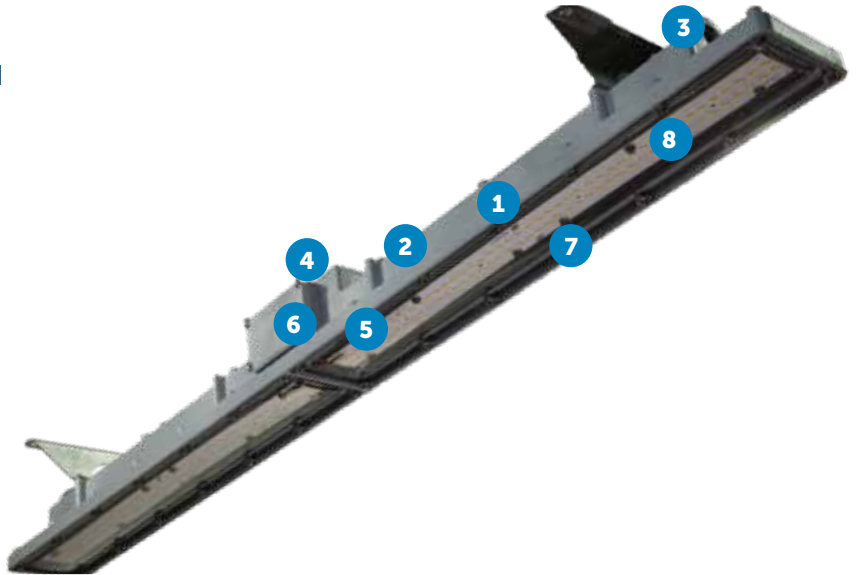


CHL LED

Non-metallic heavy-duty linear LED lighting for hazardous locations

Key Features

- 1 Low-profile, lightweight design
- 2 Heavy-duty, 1/8" thick body
- 3 3/4" NPT hubs
- 4 Three cable entry points
- 5 Toolless, cage-clamp terminal block
- 6 Captive junction box cover and hardware
- 7 Field replaceable LED circuit boards and drivers
- 8 Impact resistant polycarbonate lens



Additional Features

- Feed-through capable
- Various mounting options
- Emergency battery back-up
- Dimmable driver
- Diffused lens option
- Standard 10kV surge protection
- 5-year warranty

Standard Materials

Body:

Fiberglass-Reinforced
Polycarbonate

Gaskets:

One-Piece Silicone

Mounting Brackets:

Stainless Steel

Lens:

Polycarbonate

Hubs (2):

A360 Aluminum
(less than .4% copper content)

Hardware:

Stainless Steel

Classifications

- Class I, Division 2, Groups A, B, C and D
- Class II, Division 2, Groups F and G
- Class III
- Class I, Zone 2, Groups IIA, IIB, IIC, Zone 22 (ANSI/UL 844)
- UL 1598A Marine Outside Type
- UL 1598 Wet Locations
- UL 8750 LED Safety
- UL 844 Hazardous Locations
- UL 924 Emergency Lighting
- Emergency Battery Back-Up
- 65°C Ambient Temperature (High Ambient Model)
- CSA C22.2 No. 250.0-08
- CSA C22.2 No. 137-M1981
- NEMA 4X
- IP66
- Tested to LM 79 & LM 80

Note: The CHL LED is rated for hazardous locations. For non-hazardous areas, see the CML LED option at availinfra.com

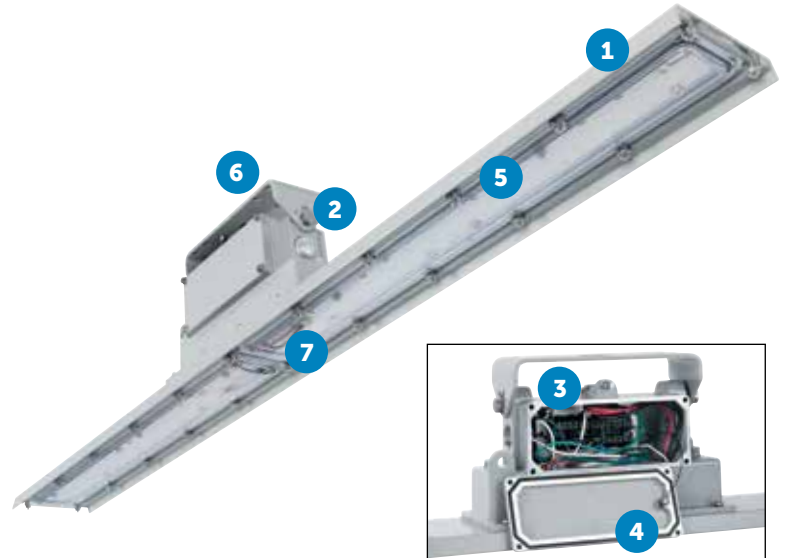
Model	Length	Wattage	Lumens	Lumens per Watt	Comparable Fluorescent Luminaire	CRI	Operating Voltage	Ambient Temperature
CHL04LC2UXX	2-ft	30w	3710	129	2 x 24w T5HO / 2 x 35w T12HO	84	120 - 277V 50/60HZ	55°C
CHL05LC4UXX	2-ft	37w	4376	141	2 x 24w T5HO / 2 x 35w T12HO	82		55°C
CHL06LC4UXX	2-ft	40w	4863	140	2 x 24w T5HO / 2 x 35w T12HO	83		55°C
CHL07LC4UXX	4-ft	54w	6975	138	2 x 54w T5HO / 2 x 60w T12HO	83		55°C
CHL09LC4UXX	4-ft	72w	8848	148	2 x 54w T5HO / 2 x 60w T12HO	84		55°C
CHL11LC4UXX	4-ft	80w	9884	147	2 x 54w T5HO / 2 x 60w T12HO	84		55°C

MHL LED

Linear LED lighting for hazardous locations

Key Features

- 1 Low-profile, lightweight design
- 2 Heavy-duty, 3/8"-thick die-cast safety cable attachment points
- 3 Toolless, cage-clamp terminal block
- 4 Captive junction box cover, attached by nylon-coated, stainless steel cable
- 5 Field-replaceable LED circuit boards and drivers with quick disconnects
- 6 Adjustable mounting bracket with 60° range-of-motion and nine locking positions
- 7 Impact-resistant clear or diffused lens



Additional Features

- Central safety cable attachment points for increased safety/reduced range of motion
- Feed-through capable
- Optional end brackets for chain mount applications
- Emergency battery back-up
- Standard 10kV surge protection
- 5-year warranty

Standard Materials

- Body:**
6061T5 Aluminum (less than .4% copper content) with baked-on gray epoxy finish
- Driver Body:**
A360 Aluminum (less than .4% copper content) with baked-on gray epoxy finish

- Gaskets:**
One-Piece Neoprene

- Optional End Brackets:**
Stainless Steel

- Lens:**
Polycarbonate

- Hardware:**
Stainless Steel

Classifications

- Class I, Division 2, Groups A, B, C and D
- Class II, Division 2, Groups F and G
- Class III
- Class I, Zone 2, Groups IIA, IIB, IIC, Zone 22 (ANSI/UL 844)
- UL 1598A Marine Outside Type
- UL 1598 Wet Locations
- UL 8750 LED Safety
- UL 844 Hazardous Locations
- UL 924 Emergency Lighting
- Emergency Battery Back-Up
- -40°C to 65°C Ambient Temperature
- CSA C22.2 No. 250.0-08
- CSA C22.2 No. 137-M1981
- ATEX/IEC/EX Approvals
- NEMA 4X
- ABS Type Approved
- IP66
- Tested to LM79 and LM80

Note: The MHL LED is rated for hazardous locations. For non-hazardous areas, see the ML LED option at availinfra.com

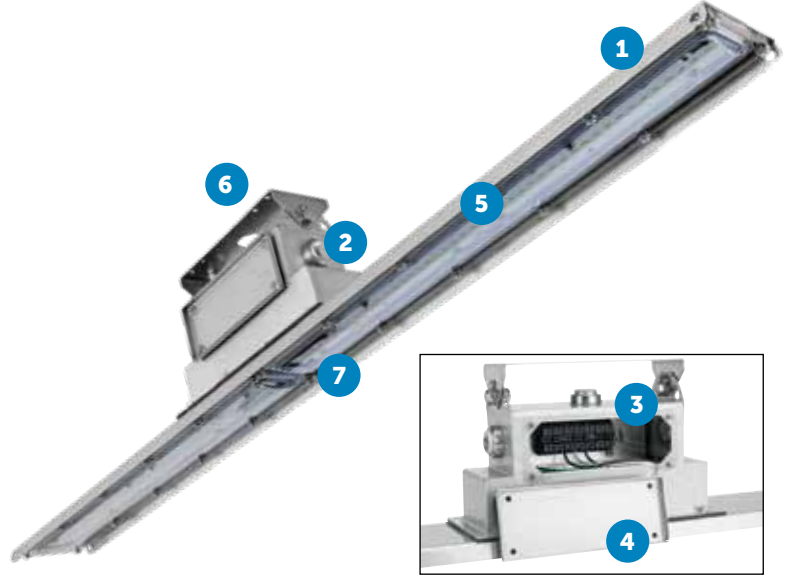
Model	Length	Wattage	Lumens	Lumens per Watt	Comparable Fluorescent Luminaire	CRI	Operating Voltage	Ambient Temperature
MHL04LC2	2-ft	30w	3620	121	2 x 24w T5HO / 2 x 35w T12HO	83	120 - 277v 50/60 HZ, 347v/480v 60HZ	55°C
MHL05LC4	2-ft	37w	4833	131	2 x 54w T5HO / 2 x 60w T12HO	83		55°C
MHL06LC4	2-ft	40w	5550	139	2 x 24w T5HO / 2 x 35w T12HO	83		50°C
MHL07LC4	4-ft	54w	7261	134	2 x 54w T5HO / 2 x 60w T12HO	83		60°C
MHL09LC4-HA	4-ft	72w	9485	136	2 x 54w T5HO / 2 x 60w T12HO	83		65°C
MHL11LC4	4-ft	80w	11252	147	2 x 54w T5HO / 2 x 60w T12HO	83		50°C

MHLS LED

Stainless steel linear LED lighting for hazardous locations

Key Features

- 1 Low-profile, lightweight design
- 2 Integral safety cable attachment points
- 3 Toolless, cage-clamp terminal block
- 4 Captive junction box cover, attached by nylon-coated, stainless steel cable
- 5 Field-replaceable LED circuit boards and drivers with quick disconnects
- 6 Adjustable mounting bracket with 60° range-of-motion and nine locking positions
- 7 Impact-resistant clear or diffused lens



Additional Features

- Central safety cable attachment points for increased safety/reduced range of motion
- Feed-through capable
- Optional end brackets for chain mount applications
- Emergency battery back-up
- Standard 10kV surge protection
- 5-year warranty

Standard Materials

- Body:**
Type 316 Stainless Steel
- Driver Body:**
Type 316 Stainless Steel
- Gaskets:**
One-Piece Neoprene

- Optional End Brackets:**
Stainless Steel
- Lens:**
Polycarbonate
- Hardware:**
Stainless Steel

Classifications

- Class I, Division 2, Groups A, B, C and D
- Class II, Division 2, Groups F and G
- Class III
- Class I, Zone 2, Groups IIA, IIB, IIC, Zone 22 (ANSI/UL 844)
- UL 1598A Marine Outside Type
- UL 1598 Wet Locations
- UL 8750 LED Safety
- UL 844 Hazardous Locations
- UL 924 Emergency Lighting
- CSA C22.2 No. 250.0-08
- CSA C22.2 No. 137-M1981
- NEMA 4X
- ABS Type Approved
- IP66

Note: The MHLS LED is rated for hazardous locations. For non-hazardous areas, see the MLS LED option at availinfra.com

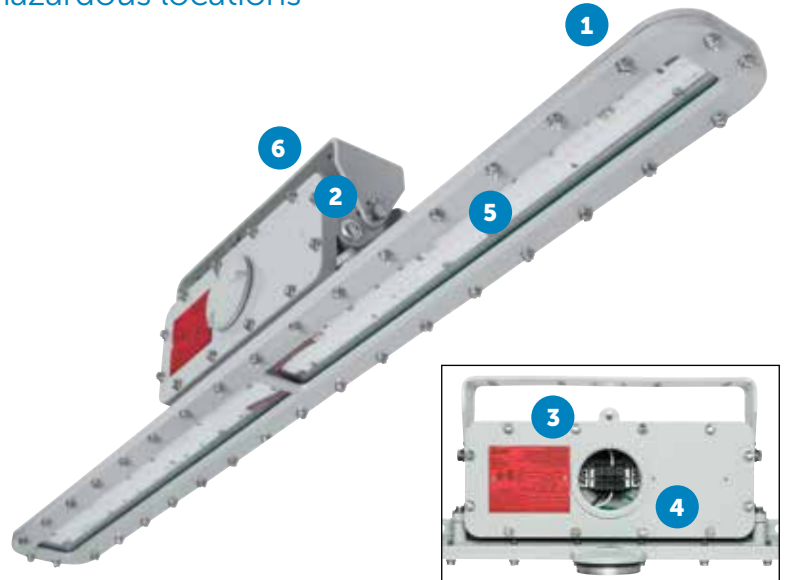
Model	Length	Watts	Operating Voltage	Total Lumens	Lumens per Watt	CRI	CCT	Comparable Fluorescent Luminaire	Ambient Temperature
MHLS04LC2	2 ft	27w	120V - 277V 50/60 Hz, 347V/480V 60Hz	3620	133.5	83	4069	2 x 24w T5H0 / 2 x 35w T12H0	55°C
MHLS05LC2	2 ft	37w		4833	129.7	83	4089	2 x 54w T5H0 / 2 x 60w T12H0	55°C
MHLS06LC2	2 ft	39w		5550	141.8	83	4072	2 x 24w T5H0 / 2 x 35w T12H0	50°C
MHLS07LC4	4 ft	52w		7261	140	83	4105	2 x 54w T5H0 / 2 x 60w T12H0	60°C
MHLS09LC4	4 ft	72w		9757	136	83	4123	2 x 54w T5H0 / 2 x 60w T12H0	60°C
MHLS11LC4	4 ft	77w		11252	147	83	4071	2 x 54w T5H0 / 2 x 60w T12H0	50°C

XML LED

Explosion-proof linear LED lighting for hazardous locations

Key Features

- 1 Low-profile, lightweight design
- 2 Convenient wiring access through screw-cap cover with toolless, cage-clamp terminal block
- 3 Self-contained emergency battery back-up, no additional junction box required
- 4 Heavy-duty, 7/16"-thick die-cast safety cable attachment points
- 5 Replaceable LED circuit boards and drivers with quick disconnects
- 6 Adjustable mounting bracket with 90° range of motion and 13 locking positions



Additional Features

- Central safety cable attachment points for increased safety/reduced range of motion
- Feed-through and pendant mount capable
- Diffused lens option
- Standard 10kV surge protection non EM models
- 4kV surge protection, EM models
- Optional 0-10V dimming, range 10-100% (not available on EXML models or when EM option is selected)
- 5-year warranty

Standard Materials

Body:

A360 Aluminum
(less than .4% copper content) with baked-on gray epoxy finish

Gaskets:

One-Piece Neoprene

Lens:

Tempered Glass

Hardware:

Stainless Steel

Classifications

- Class I, Division 1, Groups C and D
- Class I, Division 2, Groups C and D
- Class II, Division 1, Groups E, F and G
- Class III
- Simultaneous Presence
- UL 1598A Marine Outside Type
- UL 1598 Wet Locations
- UL 8750 LED Safety
- UL 844 Hazardous Locations
- UL 924 Emergency Lighting
- Emergency Battery Back-Up
- CSA C22.2 No. 250.0-08
- CSA C22.2 No. 137-M1981
- NEMA 4X, 7CD
- ABS Type Approved
- IP66
- Paint Spray Booth
- DLC Listed
- Tested to LM79 and LM80
- ATEX/IEC/EX Approvals

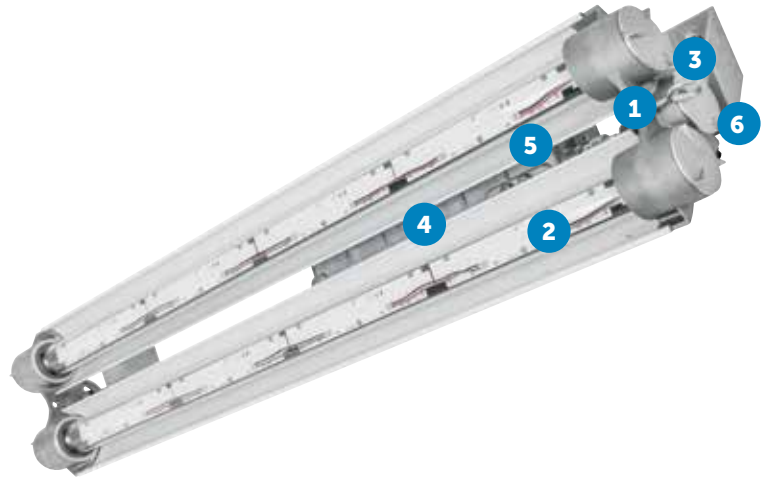
Model	Length	Wattage	Lumens	Lumens per Watt	Comparable Fluorescent Luminaire	CRI	Operating Voltage	Ambient Temperature
XML04LC2	2-ft	30w	3806	129	2 x 24w T5HO / 2 x 35w T12HO	82	120 - 277v 50/60 HZ, 347v/480v 60HZ	55°C
XML05LC2	2-ft	38w	4794	128	2 x 24w T5HO / 2 x 35w T12HO	82		55°C
XML06LC2	2-ft	45w	6139	135	3 x 24w T5HO / 2 x 35w T12HO	82		55°C
XML07LC2	4-ft	54w	7291	134	3 x 24w T5HO / 2 x 35w T12HO	82		60°C
XML09LC4	4-ft	75w	9290	130	2 x 54w T5HO / 2 x 60w T12HO	82		60°C
XML14LC4	4-ft	90w	12253	140	3 x 54w T5HO / 3 x 60w T12HO	82		60°C

XP LED

Explosion-proof linear LED lighting for hazardous locations

Key Features

- 1 Two permanent safety cable attachment points
- 2 Field-replaceable LED circuit boards and drivers with quick disconnects
- 3 Wiring access through screw-cap covers
- 4 Self-contained emergency battery back-up (optional)
- 5 Oversized, finned driver housing for greater heat dissipation
- 6 Factory sealed



Additional Features

- Shock-mount and beam clamp mounting options
- 2-, 3- or 4-tube versions available
- Dimming and outboard options
- 2.5kV surge protection
- 5-year warranty

Standard Materials

Body:

A361 Aluminum
(less than .4% copper content)

Reflector:

6063T5 Aluminum
(less than .4% copper content) with baked-on white epoxy finish

Lens:

Borosilicate Glass

Hardware:

Stainless Steel

Classifications

- Class I, Division 1, Groups C and D
- Class I, Division 2, Groups C and D
- Class II, Divisions 1 and 2, Groups E, F and G
- Class III
- Zone 1, Groups IIA and IIB
- Zone 2, Groups IIA, IIB and IIC
- Simultaneous Presence
- UL 1598A Marine Outside Type
- UL 1598 Wet Locations
- UL 8750 LED Safety
- UL 844 Hazardous Locations
- UL 924 Emergency Lighting
- Emergency Battery Backup
- 55°C Ambient Temperature
- NEMA 3, 4, 4X, 7CD and 9EFG
- cUL Listed
- IP66
- Paint Spray Booth
- DLC Listed
- Tested to LM79 and LM80

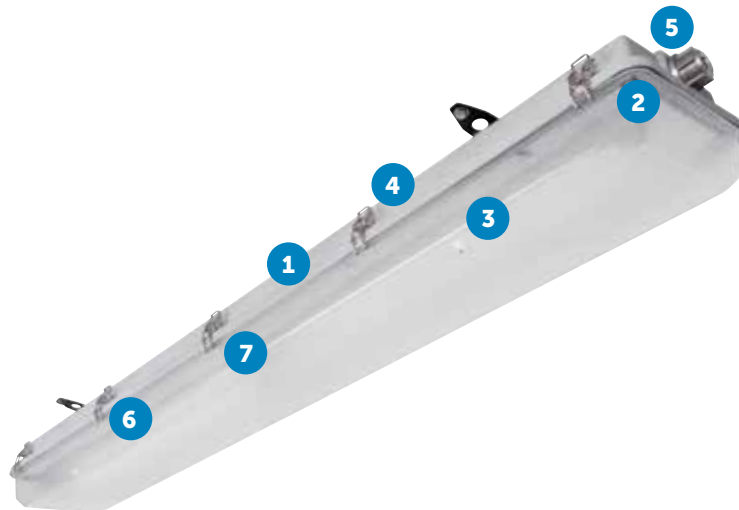
Model	Length	No. Tubes	Wattage	Lumens	Lumens per Watt	Comparable Fluorescent Luminaire	CRI	Operating Voltage	Ambient Temperature
XP30L22LU	2-ft	2	16w	2537	159	2 x 32w T8 / 2 x 48w T12HO	83	120 - 277V 50/60HZ	55°C
XP40L23LU	2-ft	3	24w	3720	155	2 x 32w T8 / 2 x 48w T12HO	83	120 - 277V 50/60HZ	55°C
XP50L42LU	4-ft	2	31w	5074	152	2 x 32w T8 / 2 x 48w T12HO	83.6	120 - 277V 50/60HZ	55°C
XP80L42LU	4-ft	2	50w	7525	149	3 x 32w T8	83.4	120 - 277V 50/60HZ	55°C
XP75L43LU	4-ft	3	56w	8771	156	3 x 32w T8 / 3 x 48w T12HO	83.8	120 - 277V 50/60HZ	55°C
XP100L43LU	4-ft	3	73w	11230	153	4 x 32w T8	83.7	120 - 277V 50/60HZ	55°C
XP100L44LU	4-ft	4	73w	11410	157	4 x 32w T8 / 4 x 48w T12HO	83.6	120 - 277V 50/60HZ	55°C
XP160L44LU	4-ft	4	100w	15790	158	4 x 54w T5HO	83.6	120 - 277V 50/60HZ	55°C

MHD2 LED

Non-metallic linear LED lighting for hazardous locations

Key Features

- 1 Heavy-duty 3/16"-thick housing, reinforced to 3/8" at hub openings
- 2 Impact-resistant 1/8"-thick lens with reinforced corners
- 3 Component-assembly tray held captive by two nylon-coated, stainless steel cables
- 4 Toolless, cage-clamp terminal block
- 5 Two 3/4" NPT conduit hubs reinforced with 1/16" grounding plate and locknuts
- 6 Field-replaceable LED circuit boards and drivers with quick disconnects
- 7 Toolless entry via over-the-center cam latches



Additional Features

- Vibration dampening, factory-installed mounting feet
- Dimmable driver
- Optional polycarbonate lens
- Stainless steel 45°, fixed-wall mounting kit available
- Standard 10kV surge protection
- 5-year warranty

Standard Materials

Body:

Fiberglass-Reinforced
PET Resin

Gaskets:

One-Piece Silicone

Lens:

Acrylic

Hubs(2):

A360 Aluminum
(less than .4% copper content)

Component Tray :

5052-H32 Aluminum
(less than .4% copper content)

Latches:

Stainless Steel

Mounting Feet:

Stainless Steel

Hardware:

Stainless Steel

Classifications

- Class I, Division 2, Groups A, B, C and D
- Class II, Division 2, Groups F and G
- Class III
- Class I, Zone 2, Groups IIA, IIB, IIC, Zone 22 (ANSI/UL 844)
- UL 1598A Marine Outside Type
- UL 1598 Wet Locations
- UL 8750 LED Safety
- UL 844 Hazardous Locations
- UL 924 Emergency Lighting
- 55°C Ambient Temperature
- CSA C22.2 #250.0-08
- CSA C22.2 #137-M1981
- NEMA 4X
- cUL Listed
- ABS Type Approved
- IP66
- Tested to LM79 and LM80
- 1.24 Spacing Criteria-Compliant

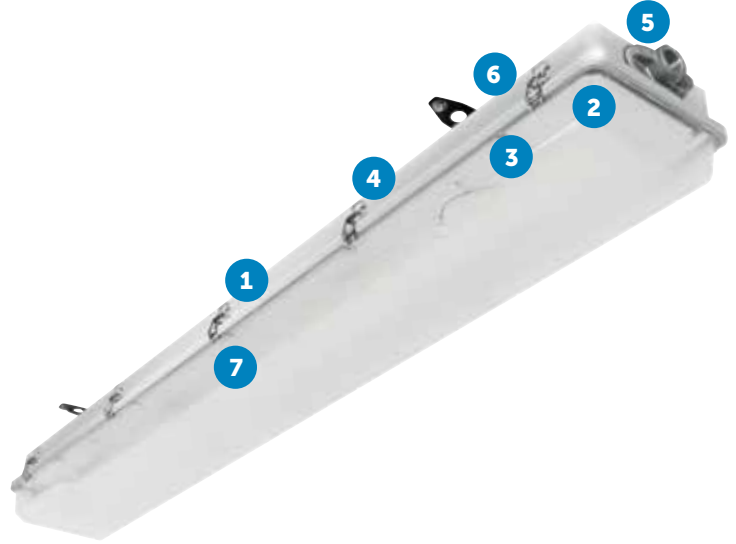
Model	Length	Wattage	Lumens	Lumens per Watt	Comparable Fluorescent Luminaire	CRI	Operating Voltage	Ambient Temperature
MHD207L24UXX	4-ft	48w	7437	155	2 x 54w T5HO / 2 x 48w T12HO	83	120 - 277V 50/60HZ	55°C
MHD209L24UXX	4-ft	63w	10180	161	2 x 54w T5HO / 2 x 48w T12HO	83	120 - 277V 50/60HZ	55°C
MHD211L24UXX	4-ft	74w	10860	146	2 x 54w T5HO / 2 x 48w T12HO	83	120 - 277V 50/60HZ	55°C

MHDS LED

Stainless steel linear LED lighting for hazardous locations

Key Features

- 1 Heavy-duty, continuous-seam-welded 1/16"-thick housing
- 2 Captive, impact-resistant 1/8"-thick lens with reinforced corners
- 3 Component-assembly tray held captive by two nylon-coated stainless steel cables
- 4 Toolless, cage-clamp terminal block
- 5 Two 3/4" NPT conduit hubs
- 6 Field-replaceable LED circuit boards and drivers with quick disconnects
- 7 Toolless entry via over-the-center cam latches



Additional Features

- Vibration dampening, factory-installed mounting feet
- Dimmable driver
- Optional polycarbonate lens
- Stainless steel 45°, fixed-wall mounting kit available
- Standard 10kV surge protection
- 5-year warranty

Standard Materials

- | | |
|--|--|
| Body:
Type 304 Stainless Steel
(Optional Type 316) | Component Tray :
5052-H32 Aluminum
(less than .4% copper content) |
| Gaskets:
One-Piece Silicone | Latches:
Stainless Steel |
| Lens:
Acrylic | Mounting Feet:
Stainless Steel |
| Hubs(2):
A360 Aluminum
(less than .4% copper content) | Hardware:
Stainless Steel |

Classifications

- | | | | |
|--|---|---|--|
| <ul style="list-style-type: none"> • Class I, Division 2, Groups A, B, C and D • Class II, Division 2, Groups F and G • Class III | <ul style="list-style-type: none"> • Zone 2, Groups IIA, IIB and IIC, Zone 22 (ANSI/UL 844) • UL 1598A Marine Outside Type • UL 1598 Wet Locations | <ul style="list-style-type: none"> • UL 8750 LED Safety • UL 844 Hazardous Locations • UL 924 Emergency Lighting • cUL Listed • 55°C Ambient Temperature | <ul style="list-style-type: none"> • ABS Type Approved • IP66 • 1.26 Spacing Criteria-Compliant |
|--|---|---|--|

Model	Length	Wattage	Lumens	Lumens per Watt	Comparable Fluorescent Luminaire	CRI	Operating Voltage	Ambient Temperature
MHDS07L24UXX	4-ft	48w	7437	155	2 x 54w T5HO / 2 x 48w T12HO	83	120 - 277V 50/60HZ	55°C
MHDS09L24UXX	4-ft	63w	10180	161	2 x 54w T5HO / 2 x 48w T12HO	83	120 - 277V 50/60HZ	55°C
MHDS11L24UXX	4-ft	74w	10860	146	2 x 54w T5HO / 2 x 48w T12HO	83	120 - 277V 50/60HZ	55°C

MHDA LED

Linear LED lighting for hazardous locations

Key Features

- 1 Heavy-duty, continuous-seam-welded 1/16"-thick housing
- 2 Impact-resistant 1/8"-thick lens with reinforced corners
- 3 Component-assembly tray held captive by two nylon-coated, stainless steel cables
- 4 Toolless, cage-clamp terminal block
- 5 Two 3/4" NPT conduit hubs
- 6 Field-replaceable LED circuit boards and drivers with quick disconnects
- 7 Toolless entry via over-the-center cam latches



Additional Features

- Vibration dampening, factory-installed mounting feet
- Dimmable driver
- Optional polycarbonate lens
- Stainless steel 45°, fixed-wall mounting kit available
- Standard 10kV surge protection
- 5-year warranty

Standard Materials

Body:

5052-H32 Aluminum (less than .4% copper content) with baked-on white epoxy finish

Gaskets:

One-piece Silicone

Lens:

Acrylic

Hubs(2):

A360 aluminum (less than .4% copper content)

Component Tray :

5052-H32 Aluminum (less than .4% copper content)

Latches:

Stainless Steel

Mounting Feet:

Stainless Steel

Hardware:

Stainless Steel

Classifications

- Class I, Division 2, Groups A, B, C and D
- Class II, Division 2, Groups F and G
- Class III
- Class I, Zone 2, Groups IIA, IIB, IIC, Zone 22 (ANSI/UL 844)
- UL 1598A Marine Outside Type
- UL 1598 Wet Locations
- UL 8750 LED Safety
- UL 844 Hazardous Locations
- UL 924 Emergency Lighting
- 55°C Ambient Temperature
- cUL Listed
- ABS Type Approved
- IP66
- 1.26 Spacing Criteria-Compliant

Model	Length	Wattage	Lumens	Lumens per Watt	Comparable Fluorescent Luminaire	CRI	Operating Voltage	Ambient Temperature
MHDA07L24UXX	4-ft	48w	7437	155	2 x 54w T5HO / 2 x 48w T12HO	83	120 - 277V 50/60HZ	55°C
MHDA09L24UXX	4-ft	63w	10180	161	2 x 54w T5HO / 2 x 48w T12HO	83	120 - 277V 50/60HZ	55°C
MHDA11L24UXX	4-ft	74w	10860	146	2 x 54w T5HO / 2 x 48w T12HO	83	120 - 277V 50/60HZ	55°C

HNMF2 LED

Linear LED lighting for hazardous locations

Key Features

- 1 Single piece fiberglass reinforced housing with 1/2 in. conduit ports on each end
- 2 Lens is securely held in place by tool free polymeric latches. Stainless Steel and tamper proof latches are available as options.
- 3 Flexible, impact resistant acrylic lens



Additional Features

- Vibration dampening, factory-installed mounting feet
- Dimmable driver
- Optional polycarbonate lens
- Supplemental 10kV surge protection
- 5-year warranty

Standard Materials

- Body:**
Single-Piece Fiberglass
- Lens:**
Impact-Resistant Acrylic
- Hardware:**
Stainless Steel

Classifications

- Class I, Division 2, Groups A, B, C and D
- Class I, Zone 2, Groups IIA, IIB, IIC, Zone 22 (ANSI/UL 844)
- UL 1598 Wet Locations
- UL 8750 LED Safety
- UL 844 Hazardous Locations
- 55°C Ambient Temperature
- NEMA 4X
- cUL Listed
- IP65
- NSF Certified

Note: The HNMF2 LED is rated for hazardous locations. For non-hazardous areas, see the NMF2 LED option at availinfra.com

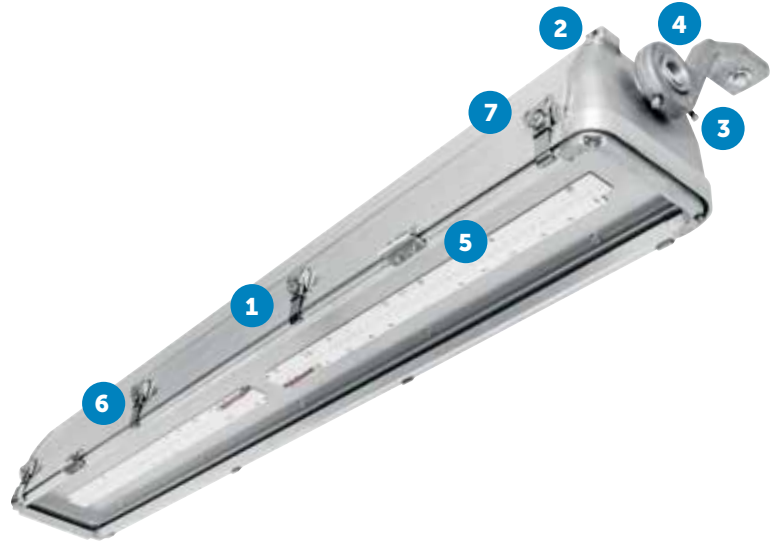
Model	Length	Wattage	Lumens	Lumens per Watt	Comparable Fluorescent Luminaire	CRI	Operating Voltage	Ambient Temperature
HNMF207L24UXX	4-ft	54w	7208	141	2 x 54w T5HO / 2 x 48w T12HO	82	120 - 277V 50/60HZ	55°C
HNMF209L24UXX	4-ft	72w	9643	136	2 x 54w T5HO / 2 x 48w T12HO	82	120 - 277V 50/60HZ	55°C
HNMF211L24UXX	4-ft	80w	11336	150	2 x 54w T5HO / 2 x 48w T12HO	82	120 - 277V 50/60HZ	55°C

MAR2 LED

Linear LED lighting for hazardous locations

Key Features

- 1 Heavy-duty .094"-thick extruded housing
- 2 Permanent safety cable attachment points
- 3 Two 3/4" NPT conduit hubs
- 4 360° mounting flexibility
- 5 Field-replaceable LED circuit boards and drivers with quick disconnects
- 6 Toolless entry via twist-lock latches
- 7 Watershed design



Additional Features

- Offset mounting bracket enables flush mounting
- Dimmable driver
- Low-profile design
- Optional pre-wired feed-through
- Standard 10kV surge protection
- 5-year warranty

Classifications

- Class I, Division 2, Groups A, B, C and D
- UL 1598A Marine Outside Type
- UL 1598 Wet Locations
- UL 8750 LED Safety
- UL 844 Hazardous Locations
- 55°C Ambient Temperature
- CSA C22.2 #250.0-08
- CSA C22.2 #137-M1981
- NEMA 4X
- DLC Listed
- Tested to LM79 and LM80

Standard Materials

Body:

5052-H32 Aluminum (less than .4% copper content)

Gaskets:

One-Piece Silicone

Lens:

Acrylic

Latches:

Stainless Steel

Hardware:

Stainless Steel

Model	Length	Wattage	Lumens	Lumens per Watt	Comparable Fluorescent Luminaire	CRI	Operating Voltage	Ambient Temperature
MAR206L22UXX	2-ft	56w	5476	98	2 x 24w T5HO / 2 x 24w T12HO	85	120 - 277V 50/60HZ	55°C
MAR207L24UXX	4-ft	74w	7660	103	2 x 54w T5HO / 2 x 48w T12HO	82	120 - 277V 50/60HZ	55°C

Flood Lighting

Enhance visibility across extensive zones with high intensity illumination for the most demanding environments.



LHFL Floodlight/High-Bay LED

LED floodlight/high-bay lighting for hazardous locations

Key Features

- 1 High-performance precision optics system
- 2 Driver access plate with stainless steel safety retention chain and captive hardware
- 3 Field-replaceable LED circuit boards and drivers with quick disconnects
- 4 Approved for high-ambient applications, up to 65°C
- 5 Two permanent safety cable retention points



Additional Features

- Versatile trunnion mount, with 180° range of motion
- Dual hub entries, feed-through capable
- Terminal block
- Optional polycarbonate lens
- Standard 10kV surge protection
- 5-year warranty

Standard Materials

Body:

A360 Aluminum
(less than .4% copper content) with baked-on gray epoxy finish

Gaskets:

Silicone

Lens:

Tempered Glass

Hardware:

Stainless Steel

Classifications

- Class I, Division 2, Groups A, B, C and D
- Class II, Divisions 1 and 2, Groups E, F and G
- Class III
- Class I, Zone 2, Groups IIA, IIB and IIC
- Zone 22
- UL 1598A Marine Outside Type
- UL 1598 Wet Locations
- UL 8750 LED Safety
- UL 844 Hazardous Locations
- -24°C to 65°C Ambient Temperature
- CAN/CSA C22.2 No. 250.0-08
- CAN/CSA C22.2 No. 137-M1981
- NEMA 4X
- ABS Type Approved
- IP66
- DLC Listed
- Tested to LM79 and LM80
- Factory Sealed
- ATEX/IEC/EX Approvals

Note: The LHFL LED is rated for hazardous locations. For non-hazardous areas, see the LFL LED option at availinfra.com

Model	Wattage	Lumens	Lumens per Watt	Comparable HID Luminaire	CRI	Operating Voltage	Ambient Temperature
LHFL07LUTP76	64w	8059	126	175w MH	71	120 - 277v 50/60 HZ	65°C
LHFL09LUTP76	76w	10476	137	250w to 320w MH	71	120 - 277v 50/60 HZ	65°C
LHFL12LUTP76	98w	12919	131	320w to 400w MH	71	120 - 277v 50/60 HZ	65°C
LHFL13LUTP76	119w	14121	119	320w to 400w MH	71	120 - 277v 50/60 HZ	65°C
LHFL15LUTP76	132w	15359	116	400w MH	72	120 - 277v 50/60 HZ	65°C
LHFL17LUTP76	127w	16420	129	400w to 600w MH	75	120 - 277v 50/60 HZ	65°C
LHFL20LUTP76	164w	20239	124	400w to 600w MH	72	120 - 277v 50/60 HZ	65°C
LHFL23LUTP76	173w	23684	137	600w to 750w MH	74	120 - 277v 50/60 HZ	65°C
LHFL27LUTP76	194w	25940	134	750w to 1000w MH	75	120 - 277v 50/60 HZ	65°C

LHFLJ Floodlight/High-Bay LED

LED floodlight/high-bay lighting for hazardous locations

Key Features

- 1 Compact, space-saving design
- 2 High-performance precision optics system
- 3 Driver access plate features stainless steel safety retention chain and captive hardware
- 4 Field-replaceable LED circuit boards and drivers with quick disconnects
- 5 Approved for high-ambient applications, up to 65°C
- 6 Two permanent safety cable retention points
- 7 Flexible universal mounting system



Additional Features

- Versatile trunnion-mount with 180° range of motion
- Dual hub entries, feed-through cable
- Optional polycarbonate lens
- Terminal block
- Optional emergency battery back-up
- Standard 10kV surge protection
- 5-year warranty

Standard Materials

Body:

A360 Aluminum
(less than .4% copper content) with baked-on gray epoxy finish

Lens:

Tempered Glass

Hardware:

Stainless Steel

Gaskets:

Silicone

Classifications

- Class I, Division 2, Groups A, B, C and D
- Class II, Divisions 1 and 2, Groups E, F and G
- Class III
- Class I, Zone 2, Groups IIA, IIB and IIC
- Zone 22
- UL 1598A Marine Outside Type
- UL 1598 Wet Locations
- UL 8750 LED Safety
- UL 844 Hazardous Locations
- Emergency Battery Backup
- -40°C to 65°C Ambient Temperature
- CAN/CSA C22.2 No. 250.0-08
- CAN/CSA C22.2 No. 137-M1981
- NEMA 4X
- ABS Type Approved
- IP66
- DLC Listed
- Tested to LM79 and LM80
- Factory Sealed
- ATEX/IEC/EX Approvals

Note: The LHFLJ LED is rated for hazardous locations. For non-hazardous areas, see the LFLJ LED option at availinfra.com

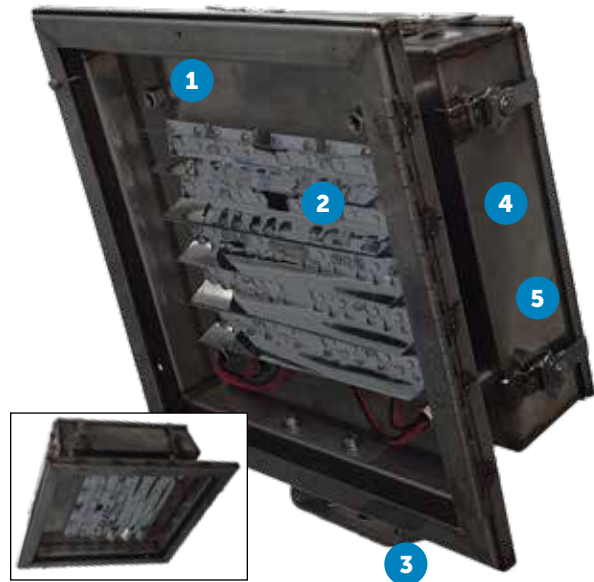
Model	Wattage	Lumens	Lumens per Watt	Comparable HID Luminaire	CRI	Operating Voltage	Ambient Temperature
LHFLJ07LUTP76	64w	8059	126	175w MH	71	120 - 277V 50/60HZ	-40°C < Tamb < 65°C
LHFLJ09LUTP76	76w	10476	137	250w to 320w MH	71	120 - 277V 50/60HZ	-40°C < Tamb < 65°C
LHFLJ12LUTP76	98w	12919	131	320w to 400w MH	71	120 - 277V 50/60HZ	-40°C < Tamb < 65°C
LHFLJ13LUTP76	119w	14121	119	400w MH	71	120 - 277V 50/60HZ	-40°C < Tamb < 65°C
LHFLJ15LUTP76	132w	15359	116	400w to 600w MH	72	120 - 277V 50/60HZ	-40°C < Tamb < 65°C
LHFLJ17LUTP76	127w	16420	129	400w to 600w MH	75	120 - 277V 50/60HZ	-40°C < Tamb < 65°C

SHLF LED

Stainless steel LED flood lighting for hazardous locations

Key Features

- 1 High-performance precision optics system
- 2 Field-replaceable LED circuit boards and drivers with quick disconnects
- 3 Permanent safety cable retention points
- 4 Separate LED/driver chambers for maximum heat dissipation
- 5 Terminal block



Additional Features

- 3/4" NPT hub(s)
- Optional polycarbonate lens
- Pendant mount available
- Ceiling mount available
- Standard 10kV surge protection
- 5-year warranty

Classifications

- Class I, Division 2, Groups A, B, C and D
- Zone 2, Groups IIA, IIB and IIC
- UL 1598A Marine Outside Type
- UL 1598 Wet Locations
- UL 8750 LED Safety
- UL 844 Hazardous Locations
- CAN/CSA C22.2 No. 250.0-08
- CAN/CSA C22.2 No. 137-M1981
- NEMA 4X
- IP66
- Tested to LM79 and LM80

Standard Materials

Body:

Type 304 Stainless Steel
(Optional Type 316)

Gaskets:

Silicone

Lens:

Tempered Glass
(Optional Polycarbonate)

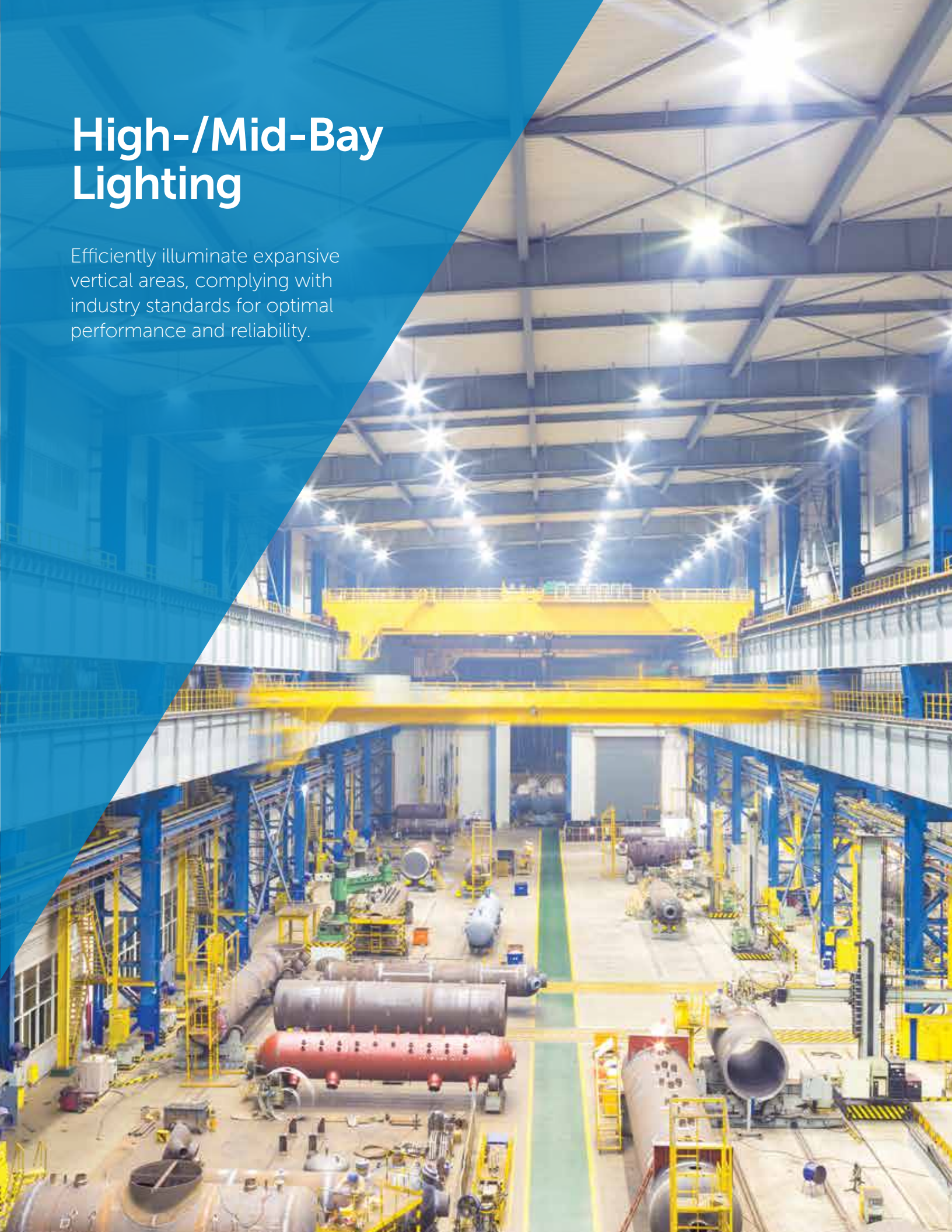
Hardware:

Stainless Steel

Model	Wattage	Lumens	Lumens per Watt	Comparable HID Luminaire	CRI	Operating Voltage	Ambient Temperature
SHLF07LU_76XX	60w	7248	124	175w MH	72	120 - 277V 50/60HZ, 347V/480V 60 Hz	45°C
SHLF15LU_76XX	115w	13790	120	250w MH	73		45°C

High-/Mid-Bay Lighting

Efficiently illuminate expansive vertical areas, complying with industry standards for optimal performance and reliability.



HLHB Hi-Lumen LED

LED high-bay lighting for hazardous locations

Key Features

- 1 Four (4) 12" Stainless steel sash chains for convenient access to the wiring compartment
- 2 Spring pressure connection terminal block
- 3 Interchangeable optics with 45, 60, 90 and 120 degree beam angle options
- 4 Field replaceable LED circuit boards, LED modules and drivers with quick disconnects
- 5 Four (4) safety cable attachment points



Additional Features

- Chain/cable and surface mounting
- Emergency battery backup option
- 0-10V dimming, range 10-100%
- Standard 10kV surge protection
- 5-year warranty

Standard Materials

- Body:**
A360 Aluminum
(less than .4% copper content) with baked-on gray epoxy finish
- Lens:**
Polycarbonate
- Hardware:**
Stainless Steel
- Gaskets:**
One-Piece Silicone

Classifications

- Class I, Division 2, Groups A, B, C, & D
- UL 1598A Marine Outside Type
- UL 1598 Wet Locations
- UL 8750 LED Safety
- UL 844 Hazardous Locations
- Emergency Battery Backup
- -40°C to 70°C Ambient Temperature
- CAN/CSA C22.2 No. 250.0-08
- CAN/CSA C22.2 No. 137-M1981
- NEMA 4X
- IP66
- DLC Listed Premium
- Tested to LM79 and LM80

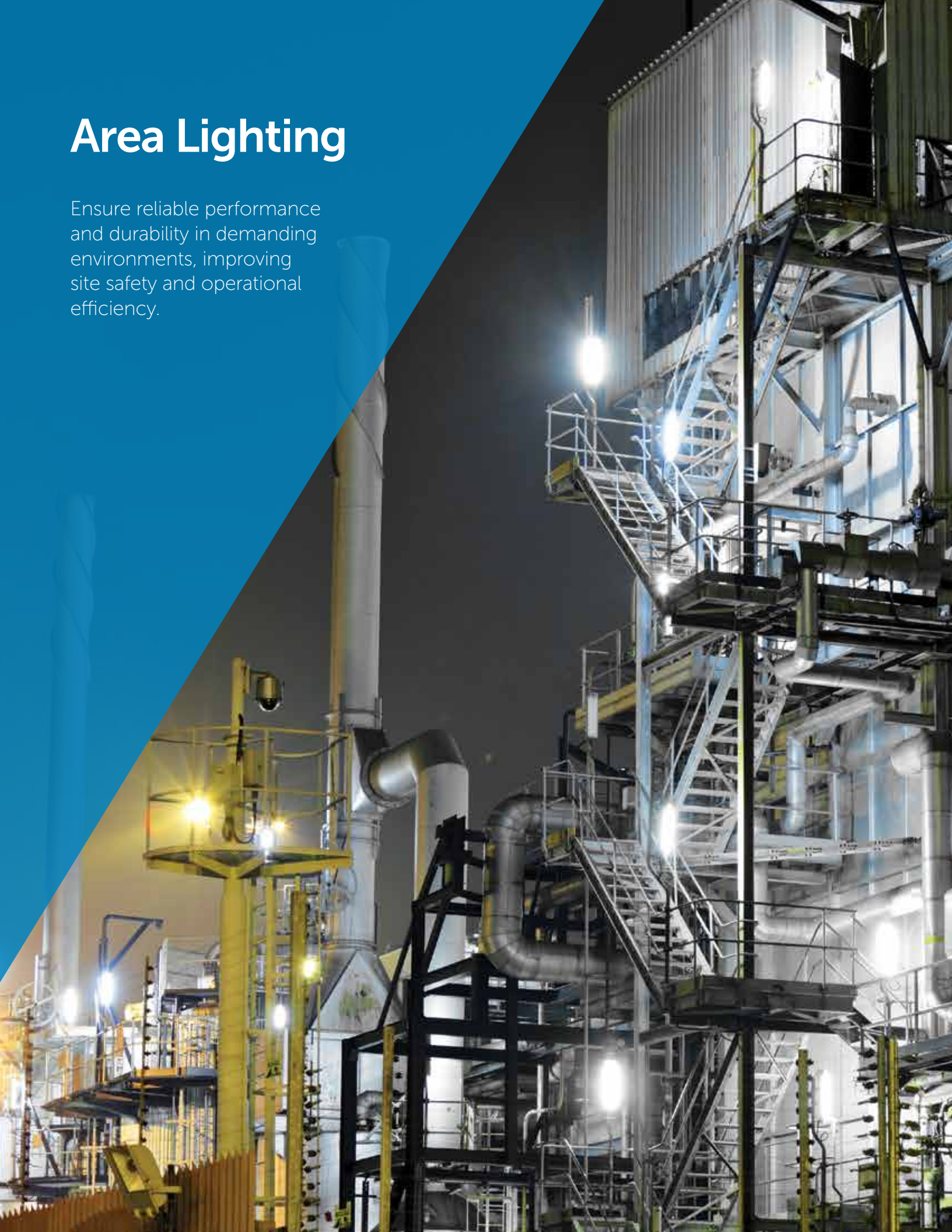
Note: The HLHB Hi-Lumen LED is rated for hazardous locations. For non-hazardous areas, see the HLB Hi-Lumen LED option at availinfra.com

Model	Wattage	Lumens	Lumens per Watt	Comparable HID Luminaire	CRI	Operating Voltage	Ambient Temperature
HLHB3LNXX	200w	31479	156	1000w MH	84	120 - 277V 50/60HZ,** 347V/480V 60 Hz	65°C*
HLHB4LNXX	303w	46385	148	1000w MH	84		70°C*
HLHB5LNXX	346w	52180	150	N/A	83		65°C*
HLHB6LNXX	479w	68491	142	N/A	83		65°C*
HLHB7LNXX	511w	78548	153	N/A	84		65°C*
HLHB8LNXX	574w	86184	149	N/A	84		60°C*
HLHB9LNXX	646w	95813	148	N/A	84		60°C*

* Cable/chain mount models. Ambient temperature of all EM models is 0°C < Tamb < 40°C.
 ** Data shown is for 347V/480V 60Hz models

Area Lighting

Ensure reliable performance and durability in demanding environments, improving site safety and operational efficiency.

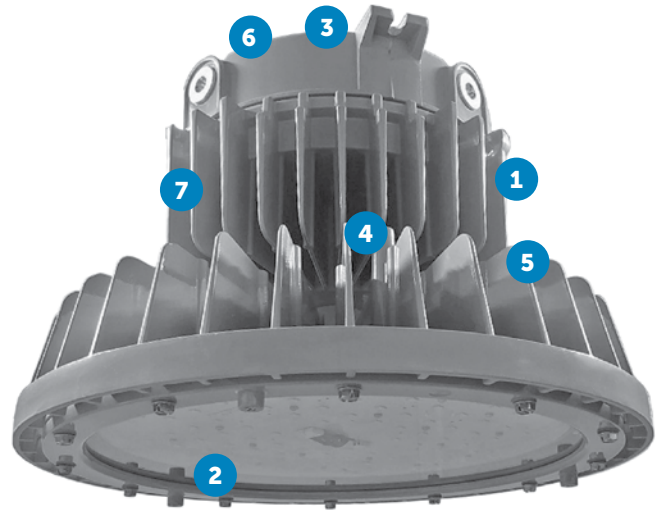


HZALJ HI-LUMEN LED

LED area lighting for hazardous locations

Key Features

- 1 Low profile body, less than 11" high
- 2 Interchangeable optics with Type I, III, V and wide distribution options
- 3 Spring pressure connection terminal block
- 4 Field replaceable LED circuit boards and drivers with quick disconnects
- 5 Hinged mount for access to internal components
- 6 Optional trunnion mount with locking positions in 15 degree increments
- 7 Two (2) safety cable attachment points



Additional Features

- Pendant, ceiling, wall, trunnion and stanchion mounting options
- Mates directly to select competitor mounts
- Dimming option
- Optional Type 316 stainless steel guard
- Standard 10kV surge protection
- 5-year warranty

Standard Materials

Body:

A360 Aluminum
(less than .4% copper content) with baked-on gray epoxy finish

Gaskets:

One-Piece Silicone

Lens:

Tempered Glass or Polycarbonate

Hardware:

Stainless Steel

Classifications

- Class I, Division 2, Groups A, B, C, & D
- Class I, Zone 2, Group IIA, IIB, IIC
- UL 1598A Marine Outside Type
- UL 1598 Wet Locations
- UL 8750 LED Safety
- UL 844 Hazardous Locations
- -40°C to 65°C Ambient Temperature
- CSA C22.2 No. 250.0-08
- CSA C22.2 No. 137-M1981 (R2014)
- NEMA 4X
- ABS Type Approved
- IP66
- Tested to LM 79, LM 80
- Factory Sealed

Note: The HZALJ Hi-Lumen LED is rated for hazardous locations. For non-hazardous areas, see the IALJ Hi-Lumen LED option at availinfra.com

Model	Watts ²	Operating Voltage	Total Lumens ¹	Lumens per Watt ¹	CRI ¹	CCT ¹	Ambient Temperature ^{1,2}
HZALJ15LU	118w	120-277V 50/60HZ	16450	139.9	81.0	4933	-40°C < Tamb < 65°C
HZALJ18LU	143w		19200	135.1	82.3	5050	-40°C < Tamb < 65°C
HZALJ20LU	163w		21480	130.8	82.4	5073	-40°C < Tamb < 65°C
HZALJ23LU	172w		23590	135.8	81.9	4863	-40°C < Tamb < 55°C
HZALJ25LU	191w		26200	134.4	82.0	4881	-40°C < Tamb < 55°C
HZALJ28LU	219w		28800	129.7	81.9	4918	-40°C < Tamb < 55°C
HZALJ30LU	246W		31720	129.8	82.2	4942	-40°C < Tamb < 55°C

1. For CG only, total lumens, lumens per watt, CRI, or CCT may change with CP, FG, or Optics. Consult factory for values.

2. Watts, total lumens, and lumens per watt will vary depending on actual ambient temperature.

HZALJ LED

LED area lighting for hazardous locations

Key Features

- 1 Low profile body, less than 5" high
- 2 Interchangeable optics with Type I, III, V and wide distribution options
- 3 Spring pressure connection terminal block
- 4 Field-replaceable LED circuit boards and drivers with quick disconnects
- 5 Hinged mount for access to internal components
- 6 Optional trunnion mount with locking positions in 15 degree increments (not pictured)
- 7 Two (2) safety cable attachment points



Additional Features

- Optional emergency backup with switching capability and field replaceable battery
- Pendant, ceiling, wall, trunnion and stanchion mounting options
- Mates directly to select competitor mounts
- Dimming option
- Optional Type 316 stainless steel guard
- Standard 10kV surge protection
- 5-year warranty

Standard Materials

Body:

A360 Aluminum (less than .4% copper content) with baked-on gray epoxy finish

Gaskets:

One-Piece Silicone

Lens:

Tempered Glass or Polycarbonate

Hardware:

Stainless Steel

Classifications

- Class I, Division 2, Groups A, B, C and D
- Class II, Division 1, Group E, F, and G
- Class III
- Class I, Zone 2, Group IIA, IIB, IIC
- UL 1598A Marine Outside Type
- UL 1598 Wet Locations
- UL 8750 LED Safety
- UL 844 Hazardous Locations
- UL 924 Emergency Lighting
- Emergency Battery Backup
- -40°C to 70°C Ambient Temperature
- CSA C22.2 No. 250.0-08
- CSA C22.2 No. 137-M1981
- NEMA 4X
- ABS Type Approved
- IP66
- Tested to LM79 and LM80

Note: The HZALJ LED is rated for hazardous locations. For non-hazardous areas, see the IALJ LED option at availinfra.com

Model	Wattage	Lumens	Lumens per Watt	Comparable HID Luminaire	CRI	Operating Voltage	Ambient Temperature
HZALJ04LU	22w	3253	151	70w to 100w MH	81	120 - 277V 50/60HZ	70°C
HZALJ06LU	39w	5749	149	100w to 150w MH	81	120 - 277V 50/60HZ	70°C
HZALJ08LU	53w	7561	143	150w to 175w MH	81	120 - 277V 50/60HZ	70°C
HZALJ10LU	67w	9634	144	250w to 320w MH	81	120 - 277V 50/60HZ	70°C
HZALJ11LU	80w	11410	142	320w to 400w MH	81	120 - 277V 50/60HZ	70°C
HZALJ13LU	97w	13430	139	400w MH	81	120 - 277V 50/60HZ	70°C

SAFR LED

LED area lighting for hazardous locations

Key Features

- 1 Optics feature wide distribution pattern with uplight
- 2 Hinged mount for access to internal components
- 3 Field-replaceable LED circuit boards and drivers with quick disconnects
- 4 Clear or diffused lens options
- 5 Low profile
- 6 No external fins



Additional Features

- Pendant, ceiling, wall, cone and stanchion mounting options
- Terminal block
- Dimming option
- Optional prismatic refractors
- Optional adapter ring mates to select competitor mounts
- Optional stainless steel threaded inserts
- Optional stainless steel guard
- Standard 10kV surge protection
- 5-year warranty

Standard Materials

Body:

A360 Aluminum
(less than .4% copper content) with baked-on gray epoxy finish

Gaskets:

One-Piece Silicone

Lens:

Borosilicate Glass

Hardware:

Stainless Steel

Classifications

- Class I, Division 2, Groups A, B, C and D
- Class II, Divisions 1 and 2, Groups E, F and G
- Class III
- Zone 2, Groups IIA, IIB and IIC
- UL 1598A Marine Outside Type
- UL 1598 Wet Locations
- UL 8750 LED Safety
- UL 844 Hazardous Locations
- Up to 55°C Ambient Temperature
- NEMA 4X
- ABS Type Approved
- IP66
- DLC Listed
- cUL Listed
- Tested to LM79 and LM80
- 2.36 Spacing Criteria-Compliant

Note: The SAFR LED is rated for hazardous locations. For non-hazardous areas, see the ALI LED option at availinfra.com

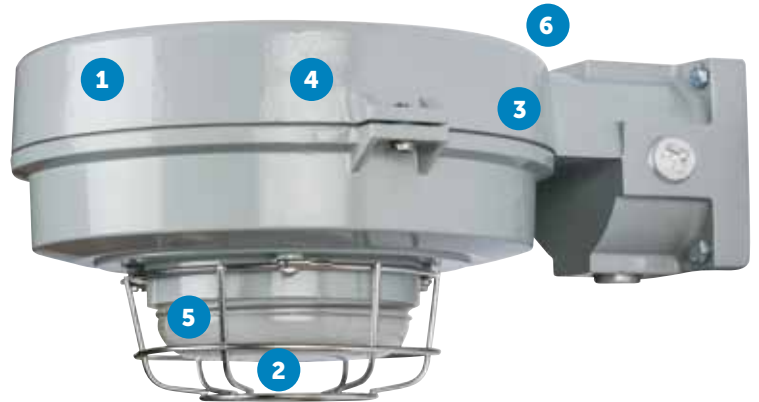
Model	Wattage	Lumens	Lumens per Watt	Comparable HID Luminaire	CRI	Operating Voltage	Ambient Temperature
SAFR09L2ULC09	60w	7980	133	175w MH	80	120 - 277V 50/60HZ	55°C
SAFR11L2ULC11	77w	10160	134	250w MH	80	120 - 277V 50/60HZ	55°C

SAFJ LED

LED area lighting for hazardous locations

Key Features

- 1 Low profile and compact design
- 2 Wide distribution pattern with uplight
- 3 Field-replaceable LED circuit boards and drivers with quick disconnects
- 4 Hinged mount for access to internal components
- 5 Clear or diffused lens options
- 6 No external fins



Additional Features

- Pendant, ceiling, wall and stanchion mounting options
- Terminal block
- Dimming option
- Mates directly to select competitor mounts
- Optional stainless steel threaded inserts
- Optional stainless steel guard
- Standard 10kV surge protection
- 5-year warranty

Standard Materials

Body:

A360 Aluminum (less than .4% copper content) with baked-on gray epoxy finish

Gaskets:

One-Piece Silicone

Lens:

Borosilicate Glass or Polycarbonate

Hardware:

Stainless Steel

Classifications

- Class I, Division 2, Groups A, B, C and D
- Class II, Division 1, Groups E, F and G
- Class III
- UL 1598A Marine Outside Type
- UL 8750 LED Safety
- UL 844 Hazardous Locations
- Up to 55°C Ambient Temperature
- NEMA 3R, 4X
- ABS Type Approved
- IP66
- DLC Listed
- Tested to LM79 and LM80
- 1.30 Spacing Criteria-Compliant

Note: The SAFJ LED is rated for hazardous locations. For non-hazardous areas, see the ALIJ LED option at availinfra.com

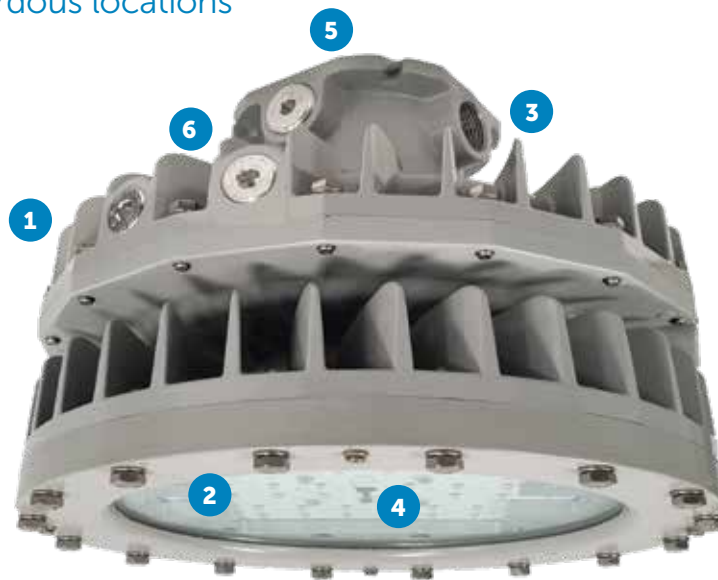
Model	Wattage	Lumens	Lumens per Watt	Comparable HID Luminaire	CRI	Operating Voltage	Ambient Temperature
SAFJ03L2ULC	30w	3810	127	50w MH	80	120 - 277V 50/60HZ	50°C
SAFJ06L2ULC	42w	5210	125	100w MH	80	120 - 277V 50/60HZ	55°C

XHBF LED

Explosion-proof LED area lighting for hazardous locations

Key Features

- 1 Low profile body, less than 7" high
- 2 Interchangeable optics with Type I, III, V, medium, wide, narrow and very narrow distribution options
- 3 Spring pressure connection terminal block
- 4 Field replaceable LED circuit boards and drivers with quick disconnects
- 5 Optional trunnion mount with five locking positions in 15 degree increments
- 6 Two (2) safety cable attachment points with optional eye-bolts



Additional Features

- Certified for hydrogen atmospheres (group B)
- Integral UL 924 Emergency Lighting battery backup option with switching capability
- Mates directly to SXP/SXPJ HID mounts
- 0-10V dimming, range 10-100%
- Standard 10kV surge protection
- 5-year warranty

Standard Materials

Body:

A360 Aluminum
(less than .4% copper content) with baked-on gray epoxy finish

Gaskets:

One-Piece Silicone

Lens:

Tempered Glass

Hardware:

Stainless Steel

Classifications

- Class I, Division 1, Groups B, C & D
- Class II, Division 1, Groups E, F & G
- Class III
- Simultaneous Presence
- Class I, Zone 1 AEx db IIB+H2 T4 Gb
- Class II, Zone 21 AEx tb IIIC 135°C Db
- UL 1598A Marine Outside Type
- UL 1598 Wet Locations
- UL 8750 LED Safety
- UL 844 Hazardous Locations
- UL 924 Emergency Lighting
- -40°C to 65°C Ambient Temperature
- CSA C22.2 No. 250.0-08
- CSA C22.2 No. 137-M1981
- NEMA 4X
- ABS Type Approved
- IP66
- Tested to LM79 & LM80
- ATEX/IEC/EX approvals

Model	Wattage	Lumens	Lumens per Watt	Comparable HID Luminaire	CRI	Operating Voltage	Ambient Temperature
XHBF06L	45w	5812	130	175w MH	80	120 - 277V 50/60HZ, 347V/480V 60 Hz	65°C
XHBF08L	60w	7735	129	175w MH	80		65°C
XHBF09L	77w	9691	126	250w to 320w MH	80		65°C
XHBF11L	87w	10750	124	320w to 400w MH	80		65°C
XHBF12L	96w	11360	118	400w MH	80		65°C
XHBF13L	105w	12600	119	400w MH	80		65°C
XHBF14L	120w	13680	115	400w-600w MH	80		65°C
XHBF15L	135w	15400	115	400w-600w MH	80		65°C

SXPJ LED

Explosion-proof LED area lighting for hazardous locations

Key Features

- 1 Single-pin quick disconnect mount with double acme thread
- 2 Component access via single set screw
- 3 Field-replaceable LED circuit boards and drivers with quick disconnects
- 4 Wireless electromechanical terminal block



Additional Features

- Standard, angle and high-bay reflector options
- Pendant, ceiling, wall, stanchion and trunnion mounting options
- Optional stainless steel guard
- Standard 10kV surge protection
- 5-year warranty

Standard Materials

Body:
A360 Aluminum
(less than .4% copper content) with baked-on gray epoxy finish

Lens:
Borosilicate Glass

Hardware:
Stainless Steel

Gaskets:
One-Piece Silicone

Classifications

- Class I, Division 1, Groups C and D
- Class II, Division 1, Groups E, F and G
- Class III
- Class I, Zone 1, Groups IIA and IIB
- UL 1598A Marine Outside Type
- UL 1598 Wet Locations
- UL 8750 LED Safety
- UL 844 Hazardous Locations
- 55°C Maximum Ambient Temperature
- NEMA 4X
- ABS Type Approved
- IP66
- Paint Spray Booth
- DLC Listed
- cUL Listed
- LM79 and LM80
- 2.34 Spacing Criteria-Compliant
- ATEX/IEC/EX Approvals

Model	Wattage	Lumens	Lumens per Watt	Comparable HID Luminaire	CRI	Operating Voltage	Ambient Temperature
SXPJ06L2UGG	42w	5063	119	100w MH	80	120 - 277V 50/60HZ	55°C
SXPJ09L2UGG	60w	7216	121	175w MH	80	120 - 277V 50/60HZ	55°C
SXPJ11L2UGG	77w	9112	123	250w MH	80	120 - 277V 50/60HZ	55°C

Globe & Guard Lighting

Designed to withstand tough environments with reliable performance, safeguarding against impacts and harsh conditions.



AVPH LED

LED globe and guard lighting for marine, wet, and hazardous locations

Key Features

- 1 Compact luminaire with high lumen output
- 2 Rugged 5/32"-thick housing
- 3 Glare-reducing frosted globe
- 4 Field-replaceable LED circuit boards and drivers with quick disconnects
- 5 Standard protective guard



Additional Features

- Ceiling, pendant and wall mounting options
- No external fins
- Optional dimming driver
- 5-year warranty

Classifications

- Class I, Division 2, Groups A, B, C and D
- Zone 2, Groups IIA, IIB and IIC
- UL 1598A Marine Outside Type
- UL 1598 Wet Locations
- UL 8750 LED Safety
- UL 844 Hazardous Locations
- -20°C to 40°C Ambient Temperature
- NEMA 3, 4 and 4X
- cUL Listed
- ABS Type Approved

Standard Materials

- Body:**
A360 Aluminum
(less than .4% copper content)
with baked-on gray epoxy finish
- Guard:**
A360 Aluminum
(less than .4% copper content)
with baked-on gray epoxy finish
- Gasket:**
One-Piece Silicone
- Lens:**
Borosilicate Glass
- Hardware:**
Stainless Steel

Note: The AVPH LED is rated for hazardous locations. For non-hazardous areas, see the AVP LED and BVP LED options at availinfra.com

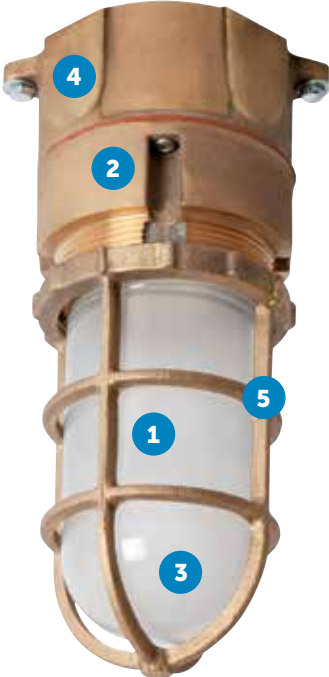
Model	Wattage	Lumens (with frosted globe and guard)	Lumens per Watt	Comparable HID Luminaire	CRI	Operating Voltage	Ambient Temperature
AVPH20LUHFGXX	20w	1769	87	42w CFL	83	120 - 277V 50/60HZ	50°C

BVP LED

Brass LED globe and guard lighting for marine, wet, and harsh locations

Key Features

- 1 Compact luminaire with high lumen output
- 2 Rugged 5/32"-thick housing
- 3 Glare-reducing frosted globe
- 4 Field-replaceable LED circuit boards and drivers with quick disconnects
- 5 Standard protective guard



Additional Features

- Ceiling, pendant and wall mounting options
- No external fins
- Optional dimming driver
- 5-year warranty

Classifications

- UL 1598A Marine Outside Type
- UL 1598 Wet Locations
- UL 8750 LED Safety
- -20°C to 25°C Ambient Temperature
- NEMA 3, 4 and 4X
- ABS Type Approved
- cUL Listed

Standard Materials

- Body:**
Marine Brass
- Guard:**
Marine Brass
- Gasket:**
One-Piece Silicone
- Lens:**
Borosilicate Glass
- Hardware:**
Stainless Steel

Note: The BVP LED is rated for non-hazardous locations. For hazardous areas, see the AVPH LED option in this Catalog or at availinfra.com

Model	Wattage	Lumens (with frosted globe and guard)	Lumens per Watt	Comparable HID Luminaire	CRI	Operating Voltage	Ambient Temperature
BVP20LUHFGXX	20w	1769	87	42w CFL	83	120 - 277V 50/60HZ	25°C

Food Processing Lighting

NSF-certified lighting specifically engineered to withstand the demanding conditions of food processing environments.



FPHB LED

Debris-shedding LED area lighting for harsh environments

Key Features

- 1 Sleek, debris-shedding design with drip edge
- 2 High-pressure hose tested to 1,500 PSI
- 3 NSF approved finish
- 4 Field-replaceable LED circuit boards and drivers with quick disconnects
- 5 Drop lens design for increased uplight



Additional Features

- Option of clear or diffused lens
- Standard 10kV surge protection
- 0-10% dimming option
- Optional emergency luminaire, 3 hour minimum

Classifications

- UL 1598 Wet Locations
- UL 8750 LED Safety
- UL 924 Emergency Lighting
- CUL
- NSF-Certified Food Equipment
- NEMA 4X
- IP66
- IP69K
- 1500 PSI Hose-Down

Standard Materials

Body:

A360 Aluminum
(less than .4% copper content)
with baked-on epoxy finish

Gaskets:

Silicone

Lens:

Clear or Prismatic
Polycarbonate

Hardware:

Stainless Steel

Model	Wattage	Operating Voltage	Total Lumens	Lumens per Watt	CRI	Ambient Temperature
FPHB12LUC	91w	120V - 277V 50/60 Hz	13660	147	85.6	-40°C < Tamb < 55°C
FPHB12LUP	125w	120V - 277V 50/60 Hz	14643	117	83.5	-40°C < Tamb < 55°C
FPHB15LUC	115w	120V - 277V 50/60 Hz	17650	147	85.4	-40°C < Tamb < 55°C
FPHB15LUP	160w	120V - 277V 50/60 Hz	17586	110	85.7	-40°C < Tamb < 55°C
FPHB20LUC	152w	120V - 277V 50/60 Hz	20930	139	85.2	-40°C < Tamb < 55°C
FPHB20LUP	205w	120V - 277V 50/60 Hz	23750	116	83.5	-40°C < Tamb < 55°C
FPHB25LUC	184w	120V - 277V 50/60 Hz	25380	132	85.0	-40°C < Tamb < 55°C
FPHB25LUP	184w	120V - 277V 50/60 Hz	22260	116	85.4	-40°C < Tamb < 55°C
FPHB28LUC	218w	120V - 277V 50/60 Hz	28290	127	84.9	-40°C < Tamb < 45°C
FPHB28LUP	218w	120V - 277V 50/60 Hz	24970	113	85.2	-40°C < Tamb < 45°C
FPHB32LUC	249w	120V - 277V 50/60 Hz	31520	127	84.8	-40°C < Tamb < 45°C
FPHB32LUP	249w	120V - 277V 50/60 Hz	27550	110	85.1	-40°C < Tamb < 45°C

HFPA LED

Debris-shedding LED area lighting for hazardous locations

Key Features

- 1 Sleek, debris-shedding design with drip edge
- 2 High-pressure hose tested to 1,500 PSI
- 3 NSF approved finish
- 4 Field-replaceable LED circuit boards and drivers with quick disconnects
- 5 Drop lens design for increased uplight



Additional Features

- Option of clear or diffused lens
- Standard 10kV surge protection
- 0-10% dimming option

Classifications

- UL 844 Hazardous Locations
- Class I, Division 2, Grps A, B, C & D
- Class II, Division 2, Grps F & G
- Class III
- UL 8750 LED Safety
- CUL
- NSF-Certified Food Equipment
- NEMA 4X
- IP66
- IP69K
- 1500 PSI Hose-Down

Standard Materials

Body:
A360 Aluminum
(less than .4% copper content)
with baked-on epoxy finish

Lens:
Clear or Prismatic
Polycarbonate

Gaskets:
Silicone

Hardware:
Stainless Steel

Model	Wattage	Operating Voltage	Total Lumens	Lumens per Watt	CRI	CCT	Ambient Temperature
HFPA12LUC	91w	120V - 277V 50/60 Hz	13660	147.2	85.6	3950	-40°C < Tamb < 55°C
HFPA12LUP	91w	120V - 277V 50/60 Hz	11884	128	83.5	4050	-40°C < Tamb < 55°C
HFPA15LUC	115w	120V - 277V 50/60 Hz	17650	147.5	85.4	3961	-40°C < Tamb < 55°C
HFPA15LUP	115w	120V - 277V 50/60 Hz	15335	129	85.7	4132	-40°C < Tamb < 55°C
HFPA20LUC	152w	120V - 277V 50/60 Hz	20930	138.9	85.2	3987	-40°C < Tamb < 55°C
HFPA20LUP	152w	120V - 277V 50/60 Hz	18209	121.4	83.5	4136	-40°C < Tamb < 55°C
HFPA25LUC	184w	120V - 277V 50/60 Hz	25380	132.2	85.0	4012	-40°C < Tamb < 55°C
HFPA25LUP	184w	120V - 277V 50/60 Hz	22260	115.8	85.4	4081	-40°C < Tamb < 55°C
HFPA28LUC	218w	120V - 277V 50/60 Hz	28290	127.2	84.9	4037	-40°C < Tamb < 45°C
HFPA28LUP	218w	120V - 277V 50/60 Hz	24970	112.5	85.2	4105	-40°C < Tamb < 45°C
HFPA32LUC	249w	120V - 277V 50/60 Hz	31520	126.5	84.8	4067	-40°C < Tamb < 45°C
HFPA32LUP	249w	120V - 277V 50/60 Hz	27550	110.4	85.1	4135	-40°C < Tamb < 45°C

FPF LED

Debris-shedding LED linear lighting for harsh environments

Key Features

- 1 Patented liquid- and debris-shedding design
- 2 Dual gasket seals (patent pending)
- 3 High-pressure hose tested to 1,500 PSI
- 4 3' #16 AWG 3 conductor cable and cord grip
- 5 Single-bolt access to components
- 6 Optional quick disconnect 3P plug and receptacle with 6' cord
- 7 Field-replaceable LED circuit boards and drivers with quick disconnects



Additional Features

- Diffused lens
- Heavy-duty extruded aluminum LED tray
- Optional emergency battery back-up with EM markings
- Optional stainless steel end caps
- Optional dimmable driver
- Standard 10kV surge protection
- 5-year warranty

Classifications

- UL 1598 Wet Locations
- UL 8750 LED Safety
- -20°C to 35°C Ambient Temperature
- CSA C22.2 No. 250.0-08
- NSF-Certified Food Equipment
- NEMA 4X
- IP69K
- DLC Listed
- LM79 and LM80

Standard Materials

Body/Lens:

DR Acrylic

LED Tray:

6063-T5 Aluminum

Driver Cover:

3105 H24 Aluminum

End Caps:

Polycarbonate

Gaskets:

Silicone

Diffuser:

Acrylic

Hardware:

Stainless Steel

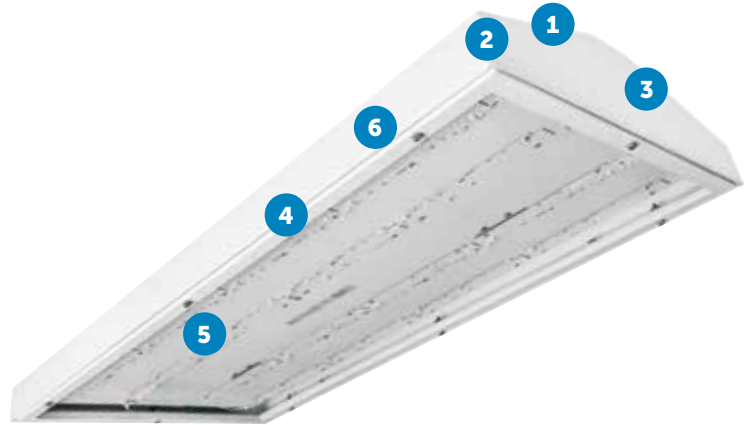
Model	Length	Wattage	Lumens	Lumens per Watt	Comparable Fluorescent Luminaire	CRI	Operating Voltage	Ambient Temperature
FPF04L2U	2-ft	33w	4169	128	2 x 24w T5HO	86	120V - 277V 50/60 Hz	-20°C < Tamb < 40°C
FPF07L4U	4-ft	65w	8337	128	2 x 54w T5HO	86	120V - 277V 50/60 Hz	-20°C < Tamb < 35°C
FPF14L8U	8-ft	130w	16674	128	4 x 54w T5HO	86	120V - 277V 50/60 Hz	-20°C < Tamb < 35°C

WFH LED

High-bay LED lighting for wet and hazardous locations

Key Features

- 1 Water-/debris-shedding housing design
- 2 Heavy-duty, continuous-seam-welded, 1/16"-thick housing
- 3 NSF-certified finish
- 4 Lens frame held captive by two nylon-coated stainless steel cables
- 5 Field-replaceable LED circuit boards and drivers with quick disconnects
- 6 Dual 1/2" NPT or single 3/4" NPT conduit hubs



Additional Features

- Captive hardware
- Optional hinged lens frame
- Pendant and cable mounting options
- Dimmable driver
- Meets USDA poultry inspection requirements
- Standard 10kV surge protection
- 5-year warranty

Classifications

- Class I, Division 2, Groups A, B, C, and D
- Class II, Division 2, Groups F and G
- Class III
- UL 1598 Wet Locations
- UL 8750 LED Safety
- UL 844 Hazardous Locations
- NSF-Certified Food Equipment
- NEMA 4X
- cUL Listed
- DLC Listed

Standard Materials

Body:

5052-H32 Aluminum
(less than .4% copper content)
with baked-on white epoxy finish

Gaskets:

One-Piece Silicone

Lens:

Clear Acrylic, Prismatic Acrylic or Clear Polycarbonate

Hubs:

A360 Aluminum (less than .4% copper content)

Hardware:

Stainless Steel

Note: Due to advancements in technology, the WFH LED will soon be discontinued once our material supplies can no longer meet our order requirements. We recommend the HFPA High Bay LED as a potential replacement, offering the latest features and certifications.

Model	Length	Wattage	Lumens	Lumens per Watt	Comparable Fluorescent Luminaire	CRI	Operating Voltage	Ambient Temperature
WFH150244SCA	4-ft	149w	14112	95	4 x 54w T5HO / 6 x 32w T8	83	120V - 277V 50/60 Hz, 347V/480V 60Hz	-20°C < Tamb < 50°C
WFH150244SPA	4-ft	149w	13090	88	4 x 54w T5HO / 6 x 32w T8	83	120V - 277V 50/60 Hz, 347V/480V 60Hz	-20°C < Tamb < 50°C

Clean Room Lighting

Designed for contamination-controlled environments, including ISO Class 3-9 clean rooms and BSL 3 & 4 laboratories.



CRH LED

Clean room LED lighting for sanitary applications and hazardous locations

Key Features

- 1 Single piece formed housing with TIG welded corners, in Aluminum, CRS or SS
- 2 Self clinching studs installed in various assemblies provide a watertight integrity
- 3 Recessed flanged housing with adjustable swing arms for rapid installation
- 4 Lens available in diffuse acrylic or diffuse tempered glass
- 5 One-piece door frame available in painted aluminum, painted CRS, or #2 brushed SS
- 6 Door frame suspended by nylon coated SS cables, with snap hooks for easy removal
- 7 Captive flush-head screws with nylon seal washers for a smooth look and seal integrity
- 8 The door frame is easily supported with the clip-on cables to aid lifting back into place
- 9 Closed cell sponge gasket to protect IP ratings and maintain a lasting seal
- 10 Easily removable reflectors for quick access to wiring during installation
- 11 3/4" NPT threaded hubs can be provided on the top or back side of the housing
- 12 A variety of lumen packages with various Kelvin colors and other options



Classifications

- Class I, Division 2, Groups A, B, C, & D
- Suitable for ISO 3-9 Cleanroom Spaces
- Suitable for BSL 3 & 4
- Optional NSF Certified Food Equipment
- IP56: Inset Door
- IP66: Overlapping Door
- Rated for -40°C minimum starting temperature
- 40°C maximum ambient temperature rating

Note: The CRH LED is rated for hazardous locations. For non-hazardous areas, see the CRO LED option in this Catalog or at availinfra.com

Additional Features

- Housing/lens frame one-piece welded construction
- Overlapping or inset lens mounting frames
- Ideal for potential hazardous area applications

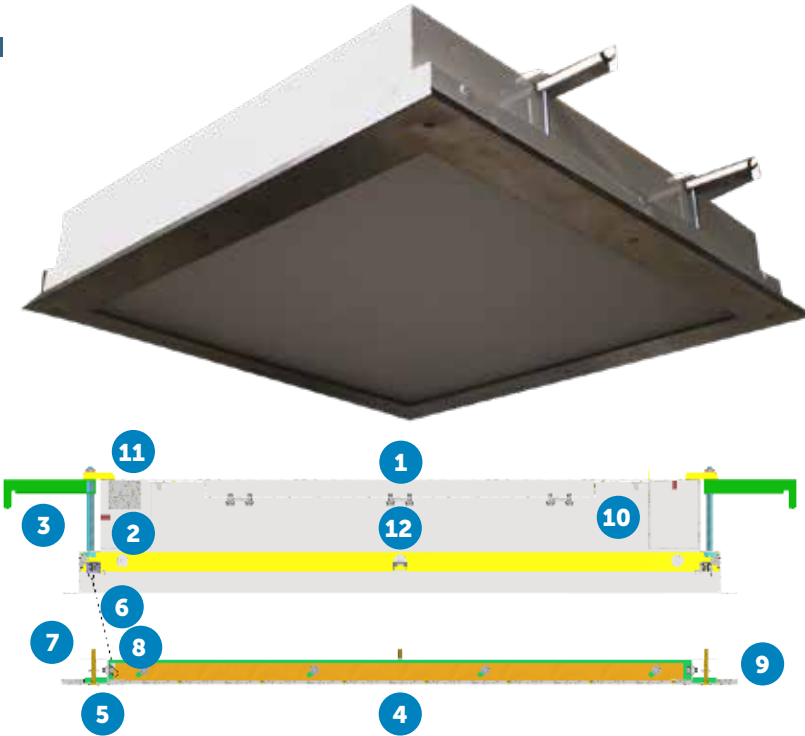
Model	Size	Wattage	Lumens	Lumens per Watt	Comparable Fluorescent	CRI	Operating Voltage	Ambient Temperature	T-Code
CRHLU14F80540CRO4DATE2	1 x 4	41w	5250	128	2 x 32w T8	83	120-277V 50/60HZ	-20°C < Tamb < 40°C	T4A
CRHLU14F81040CRO4DATE2	1 x 4	79w	10225	129	2 x 54w T5HO	83	120-277V 50/60HZ		T4A
CRHLU14F81640CRO4DATE2	1 x 4	122w	15800	129	3 x 54w T5HO	83	120-277V 50/60HZ		T4A
CRHLU22F80640CRO4DATE2	2 x 2	48w	5565	116	3 x 17w T8	83	120-277V 50/60HZ		T4A
CRHLU22F81340CRO4DATE2	2 x 2	113w	12850	113	4 x 24w T5HO	83	120-277V 50/60HZ		T4A
CRHLU22F82040CRO4DATE2	2 x 2	174w	19655	113	6 x 24w T5HO	83	120-277V 50/60HZ		T4A
CRHLU24F80740CRO4DATE2	2 x 4	54w	6715	124	3 x 32w T8	83	120-277V 50/60HZ		T4A
CRHLU24F81840CRO4DATE2	2 x 4	145w	18400	127	4 x 54w T5HO	83	120-277V 50/60HZ		T4A
CRHLU24F83540CRO4DATE2	2 x 4	296w	35300	119	6 x 54w T5HO	83	120-277V 50/60HZ		T4A

CRO LED

Clean room LED lighting for sanitary applications and harsh environments

Key Features

- 1 Single piece formed housing with TIG welded corners, in Aluminum, CRS or SS
- 2 Self clinching studs installed in various assemblies provide a watertight integrity
- 3 Recessed flanged housing with adjustable swing arms for rapid installation
- 4 Lens available in diffuse acrylic or diffuse tempered glass
- 5 One-piece door frame available in painted aluminum, painted CRS, or #2 brushed SS
- 6 Door frame suspended by nylon coated SS cables, with snap hooks for easy removal
- 7 Captive flush-head screws with nylon seal washers for a smooth look and seal integrity
- 8 The door frame is easily supported with the clip-on cables to aid lifting back into place
- 9 Closed cell sponge gasket to protect IP ratings and maintain a lasting seal
- 10 Easily removable reflectors for quick access to wiring during installation
- 11 Numerous 1/2" and 3/4" knockouts provided on the back side of the housing
- 12 A variety of lumen packages with various Kelvin colors and Tunable white



Classifications

- Suitable for Ordinary, Damp and Wet Locations
- Suitable for ISO 3-9 Cleanroom Spaces
- Suitable for BSL 3 & 4
- NSF Certified Food Equipment
- IP56: Inset Door
- IP66: Overlapping Door
- Rated for -20°C minimum starting temperature
- 40°C maximum ambient temperature rating

Note: The CRO LED is rated for non-hazardous locations. For hazardous areas, see the CRH LED option in this Catalog or at availinfra.com

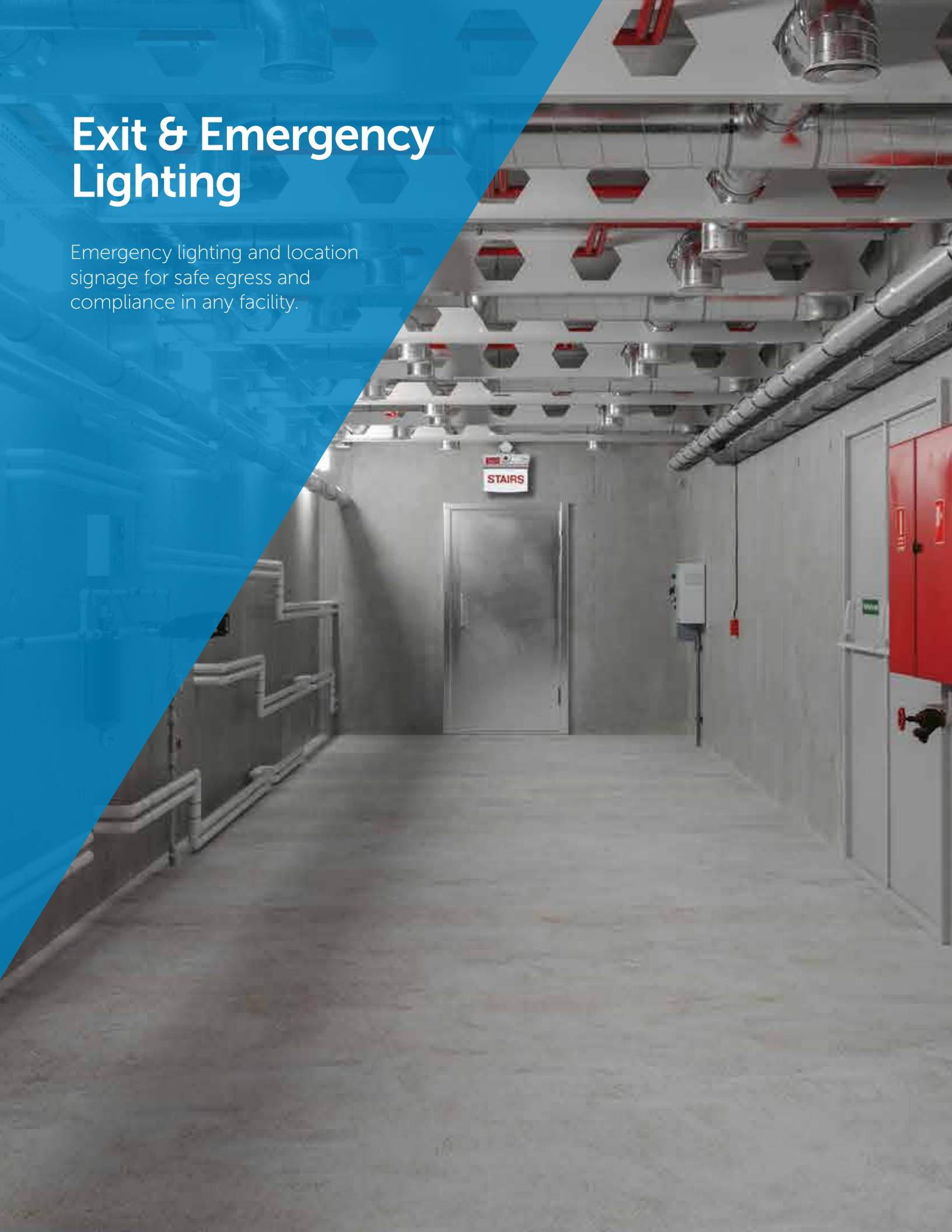
Additional Features

- Housing/lens frame one-piece welded construction
- Overlapping or inset lens mounting frames
- Ideal for cleanroom or sanitary applications

Model	Size	Wattage	Lumens	Lumens per Watt	Comparable Fluorescent	CRI	Operating Voltage	Ambient Temperature
CROLU14F80540CRO4DA	1 x 4	41w	5250	128	2 x 32w T8	83	120-277V 50/60HZ	-20°C < Tamb < 40°C
CROLU14F81040CRO4DA	1 x 4	79w	10225	129	2 x 54w T5HO	83	120-277V 50/60HZ	
CROLU14F81640CRO4DA	1 x 4	122w	15800	129	3 x 54w T5HO	83	120-277V 50/60HZ	
CROLU22F80640CRO4DA	2 x 2	48w	5565	116	3 x 17w T8	83	120-277V 50/60HZ	
CROLU22F81340CRO4DA	2 x 2	113w	12850	113	4 x 24w T5HO	83	120-277V 50/60HZ	
CROLU22F82040CRO4DA	2 x 2	174w	19655	113	6 x 24w T5HO	83	120-277V 50/60HZ	
CROLU24F80740CRO4DA	2 x 4	54w	6715	124	3 x 32w T8	83	120-277V 50/60HZ	
CROLU24F81840CRO4DA	2 x 4	145w	18400	127	4 x 54w T5HO	83	120-277V 50/60HZ	
CROLU24F83540CRO4DA	2 x 4	296w	35300	119	6 x 54w T5HO	83	120-277V 50/60HZ	

Exit & Emergency Lighting

Emergency lighting and location signage for safe egress and compliance in any facility.



XPEL LED

Explosion-proof LED emergency lighting

Key Features

- 1 High lumen spot lights (2) can be adjusted in horizontal and vertical planes
- 2 Unit can power up to 2 (optional) remote spot lights
- 3 Field replaceable LED circuit boards and drivers with quick disconnects
- 4 Emergency battery back-up integral to luminaire (no additional enclosure required)
- 5 3-hour emergency operation



Additional Features

- Wall, pendant and end mounting options
- Captive hinged-access door
- Wide- and narrow-beam optics available
- Separate push-to-test and pilot light for local and remote heads
- Provided with three (3) 1" NPT hubs

Standard Materials

Body:

A360 Aluminum
(less than .4% copper content)
with baked-on gray epoxy finish

Gaskets:

One-piece Neoprene

Hardware:

Stainless Steel

Classifications

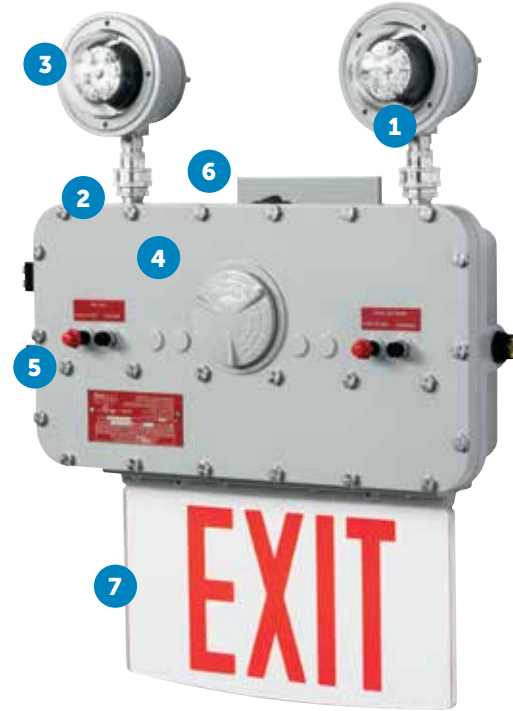
- Class I, Division 1, Groups C & D
- Class II, Division 1, Groups E, F & G
- Class III
- Class I, Zone 1, Groups IIA, IIB
- UL 844 Hazardous Locations
- UL 1598A Marine Outside Type (Salt Water)
- UL 1598 Wet Locations
- UL 8750 LED Safety
- UL 924 Emergency Lighting
- USCG Regulation 46 CFR Subparts 111.75-15 (e) & 112.43
- CUL
- IP65
- NEMA 4X
- Suitable for Wet Locations
- Patent Pending

XPEH LED

Explosion-proof LED emergency lighting and exit sign

Key Features

- 1 Two adjustable high-lumen spotlights
- 2 Independent battery back-up system for exit signs and spotlights
- 3 Unit can power up to two optional remote spotlights
- 4 Field-replaceable LED circuit boards and drivers with quick disconnects
- 5 Emergency battery back-up integral to sign (no additional enclosure required)
- 6 3-hour emergency operation
- 7 Edge-lit sign



Additional Features

- Captive, hinged-access door
- Wide- and narrow-beam optics available
- Separate push-to-test and pilot light for local and remote heads
- Separate sealed NiCad batteries for exit sign
- Alternate exit legend and languages available
- Single- or double-sided option
- Three 1" NPT hubs
- Red or green LED options

Standard Materials

Body:

A360 Aluminum
(less than .4% copper content)
with baked-on gray epoxy finish

Gasket:

One-Piece Neoprene

Sign:

Acrylic

Hardware:

Stainless Steel

Classifications

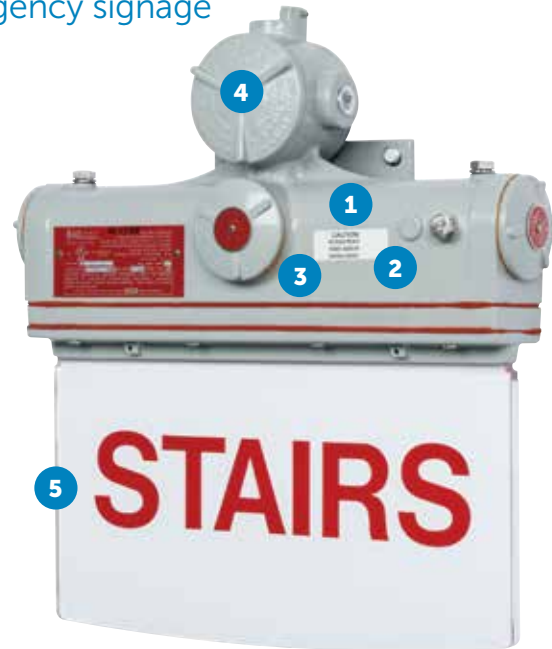
- Class I, Division 1, Groups C and D
- Class II, Division 1, Groups E, F and G
- Class III
- Zone 1, Groups IIA and IIB
- UL 1598A Marine Outside Type
- UL 1598 Wet Locations
- UL 8750 LED Safety
- UL 844 Hazardous Locations
- UL 924 Emergency Lighting
- 10°C to 35°C Ambient Temperature (XPEH Green)
- 10°C to 45°C Ambient Temperature (XPEH Red)
- NEMA 4X
- IP65
- cUL Listed
- NFPA 70- and NFPA 101-Compliant

XPS LED/XPEX LED HLEX LED/HLS LED

Explosion-proof and hazardous-rated LED emergency signage

Key Features

- 1 Emergency battery back-up integral to sign (no additional enclosure required)
- 2 3-hour emergency operation
- 3 Optional battery back-up self-diagnostic feature
- 4 Field-replaceable LED circuit boards and drivers with quick disconnects
- 5 Edge-lit sign



Additional Features

- Wall, pendant and end mounting options
- Custom colors and languages available
- Single- or double-sided option
- Sealed NiCad batteries
- Three 1/2" NPT hubs
- Red or green LED options

Standard Materials

Body:

A356T6 Aluminum
(less than .4% copper content)
with baked-on gray epoxy finish

Gasket:

One-Piece Silicone

Sign:

Acrylic

Hardware:

Stainless Steel

Classifications

- Class I, Division 1, Groups C and D (XPS/XPEX)
- Class I, Division 2, Groups A, B, C and D (HLEX/HLS)
- Class II, Division 1, Groups E, F and G (XPS/XPEX)
- Class II, Division 2, Groups F and G (HLEX/HLS)
- Class III
- Class I, Zone 1, Groups IIA and IIB (XPS/XPEX)
- Zone 2, Groups IIA, IIB + H2 and IIC (XPS/XPEX)
- UL 1598A Marine Outside Type
- UL 1598 Wet Locations
- UL 8750 LED Safety
- UL 844 Hazardous Locations
- UL 924 Emergency Lighting (XPEX)
- 40°C Ambient Temperature (Green) (XPS/XPEX)
- 55°C Ambient Temperature (Red) (XPS/XPEX)
- 40°C Ambient Temperature (Green) (HLEX/HLS)
- 55°C Ambient Temperature (Red) (HLEX/HLS)
- IP65
- NFPA 70- and NFPA 101-Compliant



8500 Hansen Road,
Houston, TX 77075
(713) 943-0340