

# XML LED

Explosion proof linear  
LED lighting

**RIG-A-LITE™**  
An Avail Infrastructure Solutions Company



## Classifications

- Class I, Division 1, Groups C & D
- Class I, Division 2, Groups C & D
- Class II, Division 1, Groups E, F & G
- Class III
- Simultaneous Presence
- UL 1598A Marine Outside Type
- UL 1598 Wet Locations
- UL 8750 LED Safety
- UL 844 Hazardous Locations
- UL 924 Emergency Lighting
- Emergency Battery Backup
- -40°C to 65°C Ambient Temperature
- CSA C.22.2 No. 250.0-08
- CSA C.22.2 No. 137-M1981
- NEMA 4X, 7CD
- ABS Type Approved
- IP66
- Paint Spray Booth
- DLC Listed
- Tested to LM79 & LM80
- **IECEX**  
Ex d IIB T6 Gb  
Ex tb IIIC T100°C Db  
-40°C ≤ Tamb ≤ 65°C  
Certificate: IECEX UL 17.0004X
- **ATEX**  
Ex II 2 G D  
Ex d IIB T6 Gb  
Ex tb IIIC T100°C Db  
-40°C ≤ Tamb ≤ 65°C  
Certificate: DEMKO 17 ATEX 1825X

[availinfra.com/rig-a-lite](http://availinfra.com/rig-a-lite)

8500 Hansen Road  
Houston, TX 77075  
(713) 943-0340

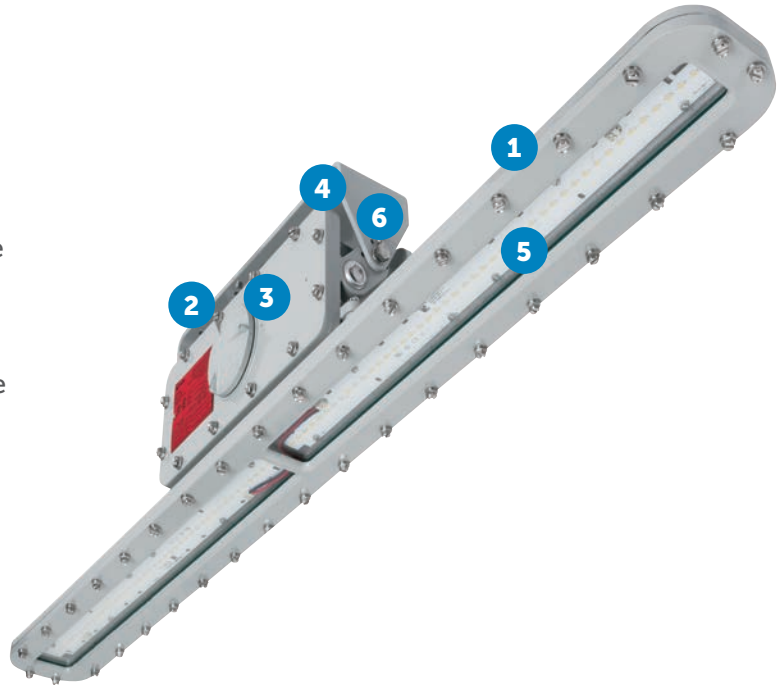
# XML LED

## Explosion proof linear LED lighting

### Key Features

- 1 Low-profile, lightweight design
- 2 Convenient wiring access through screw-cap cover with toolless, cage clamp terminal block
- 3 Self-contained emergency battery backup, no additional junction box required
- 4 Heavy-duty, 7/16" thick die-cast safety cable attachment points
- 5 Replaceable LED circuit boards and drivers
- 6 Adjustable Mounting bracket with 90 degree range of motion and 13 locking positions\*

\*Not included, must be ordered separately.  
Please see options section.



### Additional Features

- Central safety cable attachment points for increased safety/ reduced range of motion
- Feed-through and pendant mount capable
- Diffused lens option
- Standard 10kV surge protection, non EM models
- 4kV surge protection, EM models
- Optional 0-10V dimming, range 10-100% (not available on EXML models or when EM option is selected)
- 5-year warranty

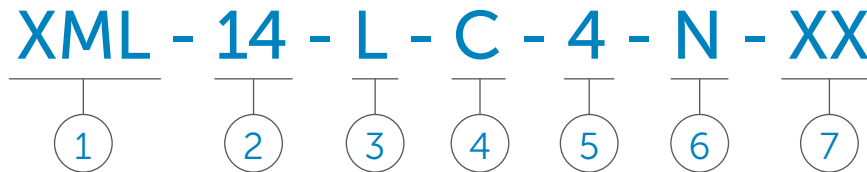
### Standard Materials

- Body:**  
A360 aluminum (less than .4% copper content) with baked-on gray epoxy finish
- Gaskets:**  
One-piece Neoprene
- Lens:**  
Tempered Glass
- Hardware:**  
Stainless Steel

# XML LED

## Explosion proof linear LED lighting

### Catalog Number Logic



#### 1

##### Series<sup>1</sup>

XML LED = North American Standards  
EXML LED = ATEX and IECEx Standards

#### 2

##### LAMP WATTAGE

04 = 30 Watt  
05 = 38 Watt  
06 = 45 Watt  
07 = 54 Watt  
09 = 75 Watt  
14 = 90 Watt

#### 3

##### LAMP TYPE

L = LED (4000K CCT)

#### 4

##### LENS

C = Clear  
D = Diffused<sup>2</sup>

#### 5

##### NOMINAL FIXTURE LENGTH

2 = 2 Foot  
4 = 4 Foot

#### 6

##### VOLTAGE/FREQUENCY

U = 120 - 277V 50/60 HZ  
N = 347/480V 60 HZ  
A = 120V 60 HZ  
B = 220 - 240V 50/60 HZ  
C = 277V 60 HZ

#### 7

##### OPTIONS

RIG = Mounting Bracket &  
(2) Safety Cables  
MB = Mounting Bracket Ceiling or Wall  
HA = High Ambient 65°C Rated  
(75W model only)  
EM = Emergency Battery Backup  
(Not Available with 347/480V)<sup>3,5,6</sup>  
FB = Fuse Block<sup>4</sup>  
PB = Push to Test Switch for  
EM Option Only  
30 = 3000K (CCT)  
35 = 3500K (CCT)  
50 = 5000K (CCT)

<sup>1</sup> Mounting hardware not included. See options for mounting selections.

<sup>2</sup> Not available with EXML models

<sup>3</sup> 4kV surge protection. Supplemental 10kV surge protection not available on EM models.

<sup>4</sup> Specify voltage when option FB is needed. When option FB is selected, one fuse is provided for 120 and 277V. Two fuses are provided for 220-240V. Fuse option not available for marine listed fixtures, EM versions, 347/480V or for fixtures listed for use in Canada.

<sup>5</sup> 10.4 watts delivered for 90 minutes.

<sup>6</sup> Dimming option not available on EXML models or when EM option is selected

Part numbering logic is for explaining part number structure only. Not all combinations are possible; consult factory for catalog numbers not listed on chart.

# XML LED

## Explosion proof linear LED lighting

### Certification Guide

Model	Length	Wattage	Operating Voltage	Total Lumens	Lumens per Watt	CRI	CCT	Ambient Temperature	Class I, Div. 1, Group C & D	Class I, Div. 2, Group C & D	Class II, Div. 1, Group E, F & G, Class III	Simultaneous Presence	Paint Spray Booth	Supply Wire Suitable Temperature, °C
XML04LC2U	2 ft	30W	120V - 277V 50/60 Hz	3806	129	82	4084	-40°C < Tamb < 55°C	T6	T4A	T6	T6	Yes	90°C
XML04LC2N	2 ft	30W	347/480V 60 Hz	3806	129	82	4084	-40°C < Tamb < 55°C	T6	T4A	T6	T6	Yes	90°C
XML05LC2U	2 ft	38W	120V - 277V 50/60 Hz	4794	128	82	4095	-40°C < Tamb < 55°C	T6	T4A	T6	T6	Yes	90°C
XML05LC2N	2 ft	38W	347/480V 60 Hz	4794	128	82	4095	-40°C < Tamb < 55°C	T6	T4A	T6	T6	Yes	90°C
XML06LC2U	2 ft	45W	120V - 277V 50/60 Hz	6139	135	82	4091	-40°C < Tamb < 55°C	T6	T4A	T6	T6	Yes	90°C
XML06LC2N	2 ft	45W	347/480V 60 Hz	6139	135	82	4091	-40°C < Tamb < 55°C	T6	T4A	T6	T6	Yes	90°C
XML07LC4U	4 ft	54W	120V - 277V 50/60 Hz	7291	134	82	4167	-40°C < Tamb < 60°C	T6	T4A	T6	T6	Yes	90°C
XML07LC4N	4 ft	54W	347/480V 60 Hz	7291	134	82	4167	-40°C < Tamb < 60°C	T6	T4A	T6	T6	Yes	90°C
XML09LC4U	4 ft	75W	120V - 277V 50/60 Hz	9290	130	82	4180	-40°C < Tamb < 60°C	T6	T4A	T6	T6	Yes	90°C
XML09LC4N	4 ft	75W	347/480V 60 Hz	9290	130	82	4180	-40°C < Tamb < 60°C	T6	T4A	T6	T6	Yes	90°C
XML09LC4UHA	4 ft	73W	120V - 277V 50/60 Hz	9060	130	82	4180	-40°C < Tamb < 65°C	T6	T4A	T6	T6	Yes	90°C
XML09LC4NHA	4 ft	73W	347/480V 60 Hz	9060	130	82	4180	-40°C < Tamb < 65°C	T6	T4A	T6	T6	Yes	90°C
XML14LC4U	4 ft	90W	120V - 277V 50/60 Hz	12253	140	82	4120	-40°C < Tamb < 60°C	T6	T4A	T6	T6	Yes	90°C
XML14LC4N	4 ft	90W	347/480V 60 Hz	12253	140	82	4120	-40°C < Tamb < 60°C	T6	T4A	T6	T6	Yes	90°C

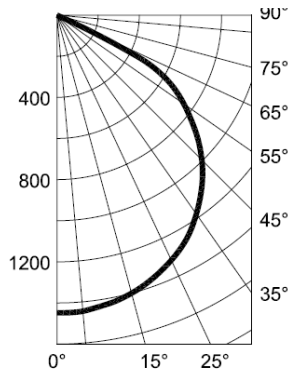
# XML LED

## Explosion proof linear LED lighting

### Candlepower Distribution

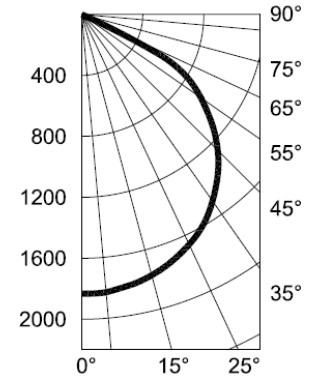
#### XML04LC2UXX

Deg.	0.	30	60	90
0	1447.5	1447.5	1447.5	1447.5
10	1418	1415.2	1419.9	1427.8
20	1346	1348.4	1351.6	1361.2
30	1231.6	1239.2	1244.2	1258.4
40	1061.3	1075.9	1089.5	1094.9
50	852.3	863.4	878.2	884.3
60	590.1	599.6	606.6	604.2
70	295.8	298	21.7	17.9
80	53.5	6.8	6.3	5.8
90	0	0	0	0



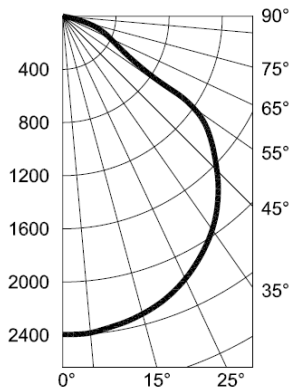
#### XML05LC2UXX

Deg.	0.	30	60	90
0	1832.3	1832.3	1832.3	1832.3
10	1794.9	1791.4	1797.3	1807.4
20	1703.8	1706.8	1710.9	1723
30	1559	1568.6	1574.9	1592.9
40	1343.4	1361.9	1379.1	1386
50	1078.9	1092.9	1111.6	1119.4
60	747	759	767.9	764.8
70	374.4	377.2	27.5	22.6
80	67.7	8.6	8	7.4
90	0	0	0	0



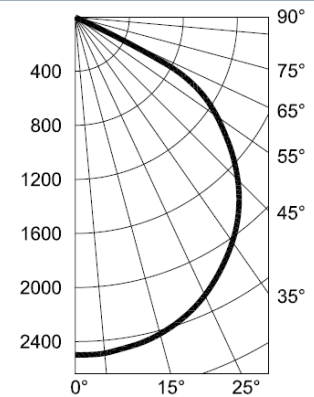
#### XML06LC2UXX

Deg.	0.	30	60	90
0	2395	2395	2395	2395
10	2345.5	2350.3	2356	2363.7
20	2230.7	2244.6	2245.1	2257.5
30	2042.9	2068.3	2064	2078.5
40	1761.4	1790.2	1806.2	1811.9
50	1411.8	1444.6	1454.5	1451.8
60	983.1	1001.7	959	520.8
70	491.5	490.7	246.8	42.9
80	91.7	18.1	16.6	16.3
90	0	0	0	0



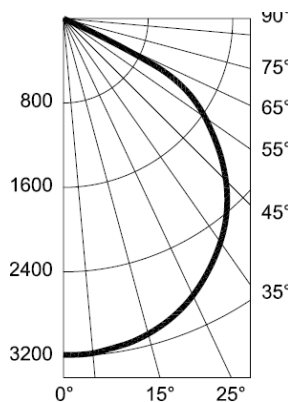
#### XML07LC2UXX

Deg.	0.	30	60	90
0	2498.4	2498.4	2498.4	2498.4
10	2498.3	2486.4	2468.2	2462
20	2493.4	2467.6	2367.9	2361.3
30	2486.3	2415.9	2221.2	2155.3
40	2326.1	2261.4	1963.7	1880.7
50	1949.3	1905.7	1608.8	1502.8
60	1391.5	1398.6	1137.9	1028.1
70	731.1	707.5	48.1	36.2
80	171.5	27	19.3	16.2
90	0.2	0.2	0.2	0.1



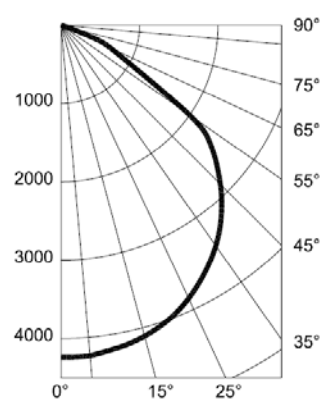
#### XML09LC2UXX

Deg.	0.	30	60	90
0	3186.7	3186.7	3186.7	3186.7
10	3186.6	3171.4	3148.2	3140.3
20	3180.4	3147.4	3020.3	3011.8
30	3171.3	3081.5	2833.1	2749.1
40	2967	2884.5	2504.7	2398.8
50	2486.3	2430.7	2052.1	1916.9
60	1774.9	1783.9	1451.4	1311.4
70	932.5	902.4	61.4	46.2
80	218.8	34.4	24.6	20.6
90	0.2	0.2	0.2	0.1



#### XML14LC2UXX

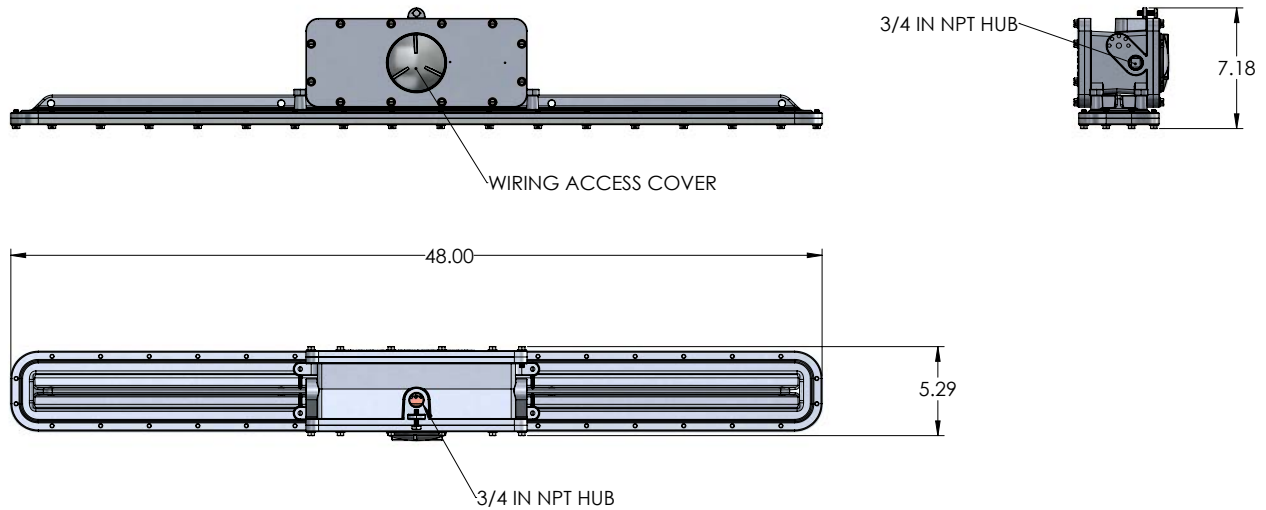
Deg.	0.	30	60	90
0	4234.9	4234.9	4234.9	4234.9
10	4232	4220.1	4194.4	4176.7
20	4219.1	4177.5	4023.5	4000
30	4209.5	4094.7	3763.6	3655.2
40	3927.3	3813.8	3338.5	3177.9
50	3273.4	3197	2724	2529.5
60	2360.5	2315.3	1592.4	1072.2
70	1218.3	1160.6	366.2	138
80	278.3	87.4	43.3	35.5
90	0.8	1	0.3	0.2



# XML LED

## Explosion proof linear LED lighting

### Fixture Dimensions (inches)



XML SERIES	Dimensions (inches)	Boxed Weight	Shipping Volume
	A		
4 ft. models	48.00	36 lbs.	1.47 cu. ft.
2 ft. models	24.00	26.5 lbs.	.76 cu. ft.

### Accessories

#### Mounting Bracket



Ceiling or Wall  
 Catalog Number: 53053  
 Shipping Weight: 2 lbs.

#### Wide Mounting Bracket



Catalog Number: 26927  
 Shipping Weight: 7 lbs.

#### Beam Clamp



Catalog Number: 38083  
 Shipping Weight: 1.25 lbs.

#### Safety Cable



Catalog Number: 10128R  
 Shipping Weight: 1 lb.



[availinfra.com/rig-a-lite](http://availinfra.com/rig-a-lite)

8500 Hansen Road  
 Houston, TX 77075  
 (713) 943-0340