

CML LED

Non-metallic heavy duty LED
lighting for marine applications

 **RIG-A-LITE™**
An Avail Infrastructure Solutions Company



Classifications

- UL 1598A Marine Outside Type
- UL 1598 Wet Locations
- UL 8750 LED Safety
- UL 924 Emergency Lighting
- -40°C to 65°C Ambient Temperature
- NEMA 4X
- ABS Type Approved
- IP66
- Tested to LM 79 & LM 80

availinfra.com/rig-a-lite

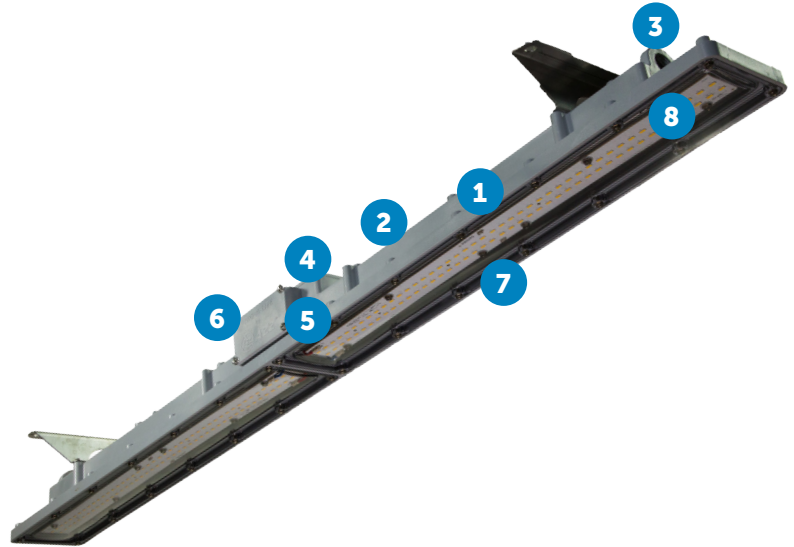
8500 Hansen Road
Houston, TX 77075
(713) 943-0340

CML LED

Non-metallic heavy duty LED lighting for marine applications

Key Features

- 1 Low-profile, lightweight design
- 2 Heavy-duty, 1/8" thick body
- 3 3/4" NPT entries
- 4 Three cable entry points
- 5 Toolless, cage-clamp terminal block
- 6 Captive junction box cover and hardware
- 7 Field replaceable LED circuit boards and drivers
- 8 Impact resistant polycarbonate lens



Additional Features

- Standard 10kV surge protection
- Feed-through capable
- Various mounting options
- Emergency battery back-up option
- Dimmable driver
- Diffused lens option
- 5-year warranty

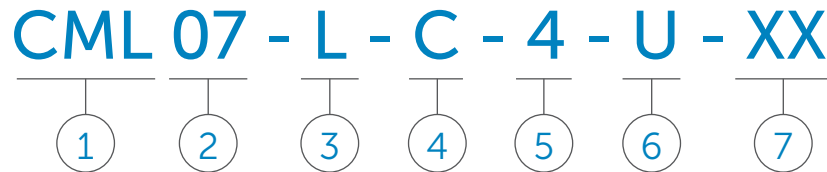
Standard Materials

- Body:**
Fiberglass reinforced polycarbonate
- Gaskets:**
One-piece silicone
- Lens:**
Polycarbonate
- Hardware:**
Stainless Steel
- Mounting Brackets:**
Stainless Steel

CML LED

Non-metallic heavy duty LED lighting for marine applications

Catalog Number Logic



1
BASIC SERIES
CML = Marine Outside Type

2
LAMP WATTAGE
04 = 30W (2 foot)
05 = 37W (2 foot)
06 = 40W (2 foot)
07 = 54W (4 foot)
09 = 72W (4 foot)
11 = 80W (4 foot)

3
LAMP TYPE
L = LED (4000K CCT)

4
LENS
C = Clear
D = Diffused

5
NOMINAL FIXTURE LENGTH
2 = 2 Foot
4 = 4 Foot

6
VOLTAGE/FREQUENCY
U = 120 - 277V 50/60HZ
N = 347/480V 60HZ (4 ft. only)
A = 120V 60HZ²
B = 220 - 240V 50/60HZ²
C = 277V 60HZ²

7
OPTIONS
SMK = Shock Mounting Brackets
WMB = Wall Mounting Brackets
ADJ = Adjustable Ceiling/Wall Brackets
SC = Safety Cable
HA = High Ambient 65°C Rated (07 Model Only)¹
EM = Emergency Battery Backup¹ (Reduced Lumens, 45°C max ambient)
FB = Fuse Block²
30 = 3000K CCT

¹ Not available in 347/480V, type HA.

² Specify voltage when option FB is needed. When option FB is selected, one

Catalog logic is for explaining catalog number structure only. Not all combinations are possible; consult factory for catalog numbers not listed in charts.

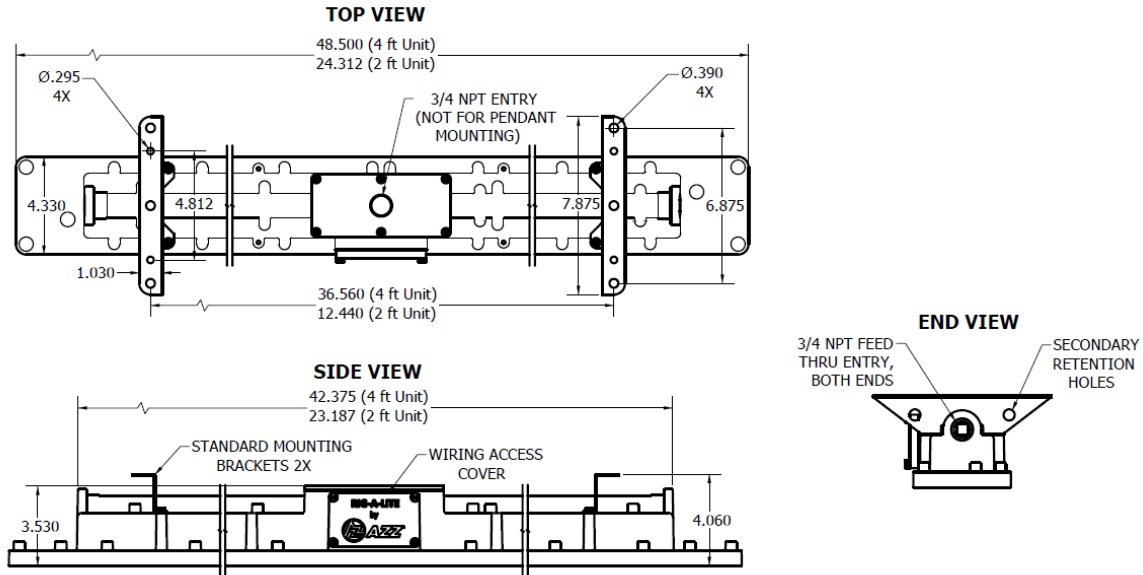
Certification Guide

Model	Length	Watts	Operating Voltage	Total Lumens	Lumens per Watt	CRI	CCT	Ambient Temperature	Supply Wire Suitable Temp. °C
CML04LC2U	2 ft	30W	120V - 277V 50/60 Hz, 347V - 480V 50/60 Hz	3710	129	84	4132	-40°C < Tamb < 55°C	90°C
CML05LC2U	2 ft	37W		4376	141	83	4088	-40°C < Tamb < 55°C	90°C
CML06LC2U	2 ft	40W		4863	140	83	4113	-40°C < Tamb < 55°C	90°C
CML07LC4U	4 ft	54W		6975	138	83	4121	-40°C < Tamb < 55°C	90°C
CML07LC4U-HA	4 ft	41W		4705	115	83	4121	-40°C < Tamb < 65°C	90°C
CML09LC4U	4 ft	72W		8848	148	84	4105	-40°C < Tamb < 55°C	90°C
CML11LC4U	4 ft	80W		9884	147	84	4094	-40°C < Tamb < 55°C	90°C

CML LED

Non-metallic heavy duty LED lighting for marine applications

Fixture Dimensions (inches)



CML Series	Dimensions (inches)	Boxed Weight	Shipping Volume
	A		
4 ft. models	48.00	18 lbs.	1.47 cu. ft.
2 ft. models	24.00	10 lbs.	.76 cu. ft.

Accessories

Shock Mounting Brackets

Catalog Number:
53120

Shipping Weight:
2 lbs.



Adjustable Ceiling/Wall Brackets

Catalog Number:
53121

Shipping Weight:
2 lbs.



Wall Mounting Brackets

Catalog Number:
53122

Shipping Weight:
3 lbs.



Safety Cable

Catalog Number:
10128R

Shipping Weight:
1 lb.

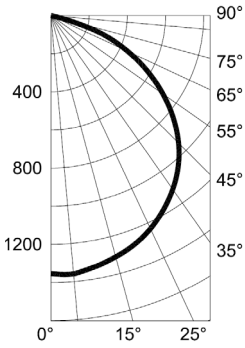


CML LED

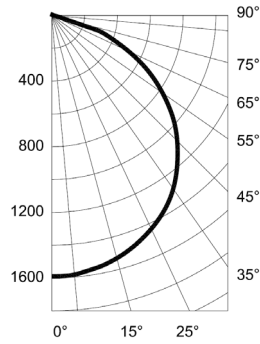
Non-metallic heavy duty LED lighting for marine applications

Photometric Data

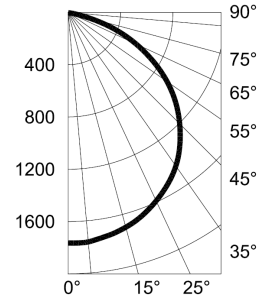
CML04LC4U



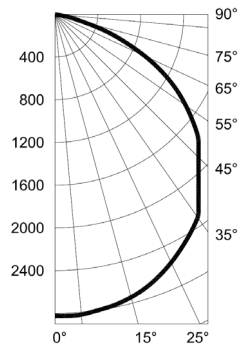
CML04LC2U-HL



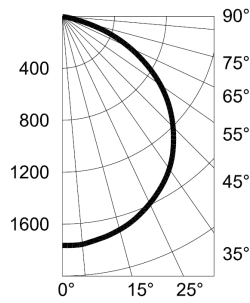
CML07LC4U



CML07LC4U-HA



CML07LC4U-HL



An Avail Infrastructure Solutions Company

availinfra.com/rig-a-lite

8500 Hansen Road
Houston, TX 77075
(713) 943-0340