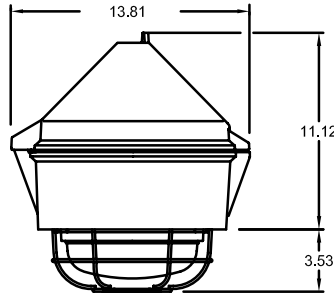
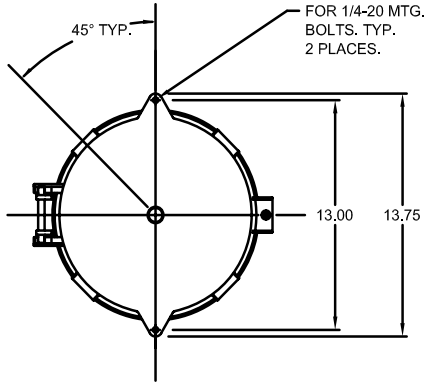


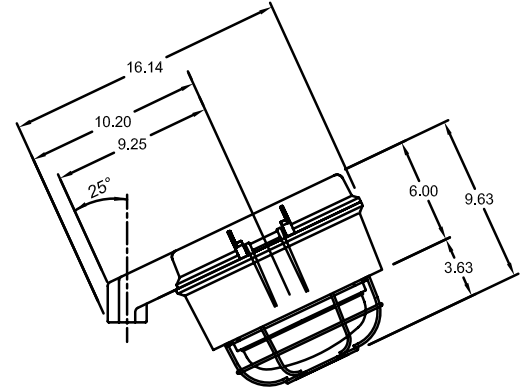
ALI LED

LED area lighting for industrial locations

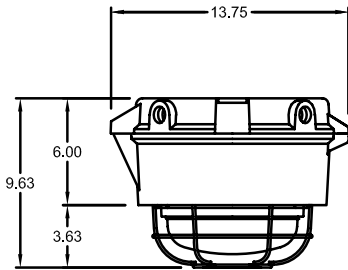
Fixture Dimensions (inches)



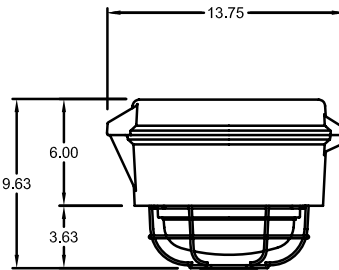
Cone mount with threaded glass globe and guard.



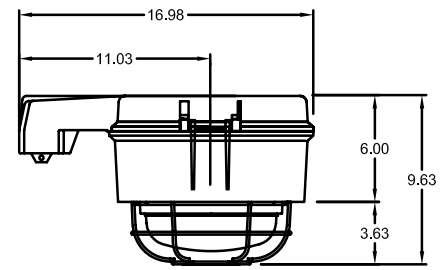
25° Stanchion mount with threaded glass globe and guard.



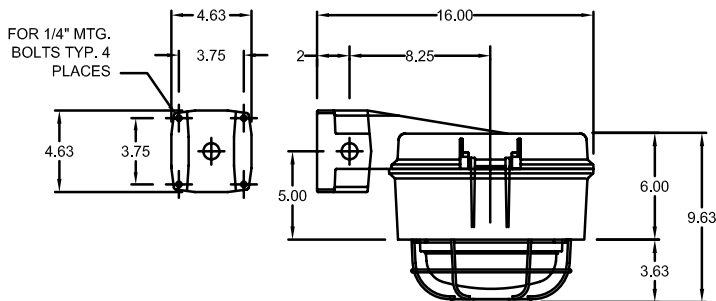
Ceiling mount with threaded glass globe and guard.



Pendant mount with threaded glass globe and guard.



90° Stanchion mount with threaded glass globe and guard.



Wall mount with threaded glass globe and guard.

Refer to Certification Guide to determine suitability of individual fixture.