

FPHB High-Bay

Debris-shedding LED area lighting for harsh environments

RIG-A-LITE™
An Avail Infrastructure Solutions Company



Classifications

- UL 1598 Wet Locations
- UL 8750 LED Safety
- UL 924 Emergency Lighting
- CUL
- NSF-Certified Food Equipment
- NEMA 4X
- IP66
- IP69K
- 1500 PSI Hose-down

availinfra.com/rig-a-lite

8500 Hansen Road
Houston, TX 77075
(713) 943-0340

FPHB High-Bay

Debris-shedding LED area lighting for harsh environments

Key Features

- 1 Sleek, debris-shedding design with drip edge
- 2 High-pressure hose tested to 1,500 PSI
- 3 NSF approved finish
- 4 Field replaceable LED circuit boards and drivers with quick disconnects
- 5 Drop lens design for increased uplight



* Shown with Emergency Driver Tank

Additional Features

- Option of clear or diffused lens
- Standard 10kV surge protection
- 0-10% dimming option
- Optional emergency luminaire, 3 hour minimum

Standard Materials

Body:

A360 Aluminum (less than .4% copper content)
with baked-on epoxy finish

Gaskets:

Silicone

Lens:

Clear or Prismatic Polycarbonate

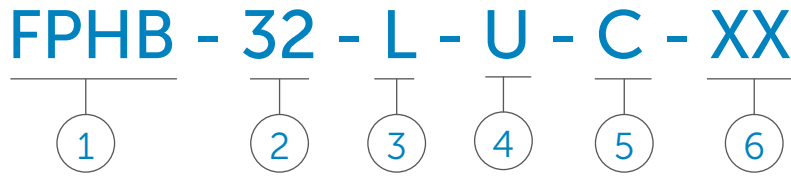
Hardware:

Stainless Steel

FPHB High-Bay

Debris-shedding LED area lighting for harsh environments

Catalog Number Logic



1
SERIES
FPHB (Wet Location)

2
LAMP LUMENS
(approx w/clear lens)
12 = 13,660 Lumen
15 = 17,650 Lumen
20 = 20,930 Lumen
25 = 25,380 Lumen
28 = 28,290 Lumen
32 = 31,520 Lumen

3
LAMP TYPE
L = LED (4000 CCT)

4
VOLTAGE/FREQUENCY
U = 120 thru 277V 50/60 HZ
N = 347/480V 60 HZ
A = 120V 60 HZ¹
B = 220-240V 50/60 HZ¹
C = 277V 60 HZ¹

5
LENS TYPE
C = Clear Polycarbonate
P = Prismatic Polycarbonate

6
OPTIONS
EM = Emergency Luminaire
(120V - 277V only)(0°C to +50°C)
FB = Fuse Block¹
OC = Occupancy Sensor²
30 = 3,000 CCT
50 = 5,000 CCT
85 = 85 CRI (12,000 Lumen only)

¹ Specify voltage when option FB is needed. When option FB is selected, one fuse is provided for 120 and 277V, two fuses are provided for 220-240V and 480V. Fuse option not available for 347V.

² The default settings for the occupancy sensor are set for 100% brightness for 5 minutes, @ 100% sensitivity, then the light will dim to 20% output for the duration of "on time". These settings can be adjusted and altered at the factory, or programmed via remote control, which must be purchased separately (Catalog Number OCRC). Please contact the factory for other options and parameter settings available. Maximum mounting height is 50 ft. Suitable for use in ambient temperature to not exceed 40°C. For Lamp Lumen models 12, 15, and 20 only.

Catalog logic is for explaining catalog number structure only. Not all combinations are possible; consult factory for catalog numbers not listed in charts.

Certification Guide

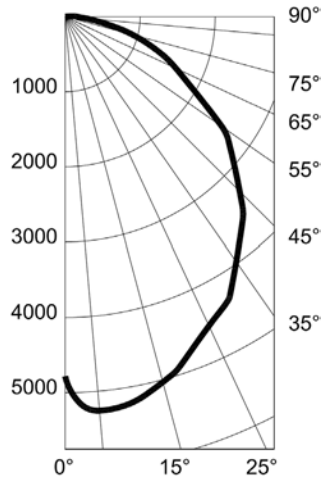
Model	Wattage	Operating Voltage	Total Lumens	Lumens per Watt	CRI	Ambient Temperature	Supply Wire Suitable Temp. °C
FPHB12LUC	91W	120V - 277V 50/60 Hz	13660	147	85.6	-40°C < Tamb < 55°C	90°C
FPHB12LUP	125W	120V - 277V 50/60 Hz	14643	117	83.5	-40°C < Tamb < 55°C	90°C
FPHB15LUC	115W	120V - 277V 50/60 Hz	17650	147	85.4	-40°C < Tamb < 55°C	90°C
FPHB15LUP	160W	120V - 277V 50/60 Hz	17586	110	85.7	-40°C < Tamb < 55°C	90°C
FPHB20LUC	152W	120V - 277V 50/60 Hz	20930	139	85.2	-40°C < Tamb < 55°C	90°C
FPHB20LUP	205W	120V - 277V 50/60 Hz	23750	116	83.5	-40°C < Tamb < 55°C	90°C
FPHB25LUC	184W	120V - 277V 50/60 Hz	25380	132	85.0	-40°C < Tamb < 55°C	90°C
FPHB25LUP	184W	120V - 277V 50/60 Hz	22260	116	85.4	-40°C < Tamb < 55°C	90°C
FPHB28LUC	218W	120V - 277V 50/60 Hz	28290	127	84.9	-40°C < Tamb < 45°C	90°C
FPHB28LUP	218W	120V - 277V 50/60 Hz	24970	113	85.2	-40°C < Tamb < 45°C	90°C
FPHB32LUC	249W	120V - 277V 50/60 Hz	31520	127	84.8	-40°C < Tamb < 45°C	90°C
FPHB32LUP	249W	120V - 277V 50/60 Hz	27550	110	85.1	-40°C < Tamb < 45°C	90°C

FPHB High-Bay

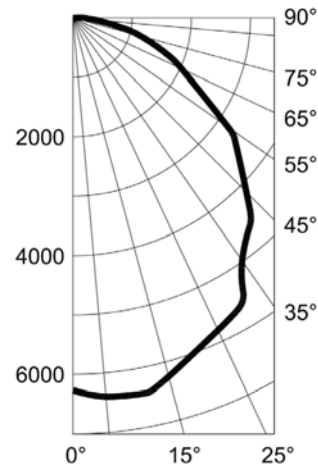
Debris-shedding LED area lighting for harsh environments

Photometric Data

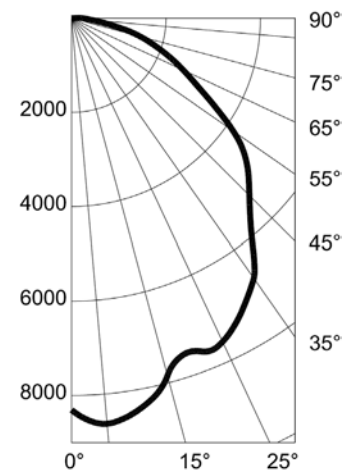
FPHB12LUP



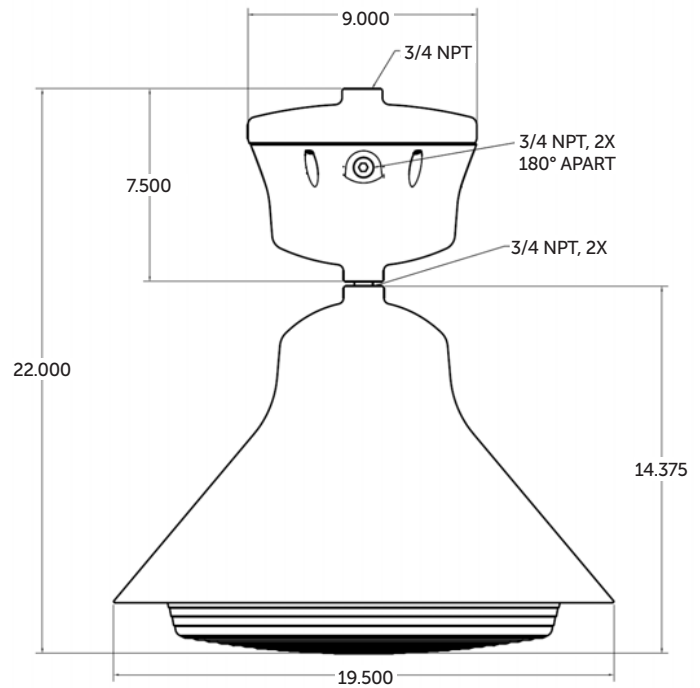
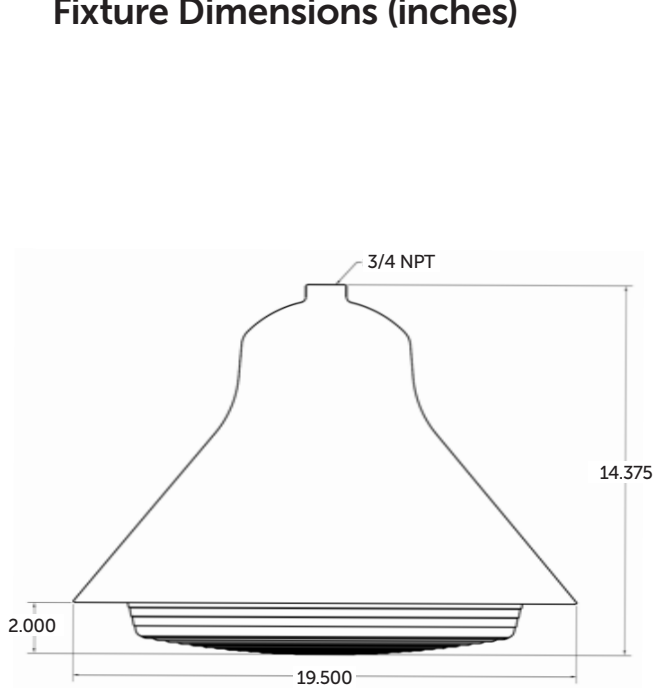
FPHB15LUP



FPHB20LUP



Fixture Dimensions (inches)



FPHB High-Bay

Debris-shedding LED area lighting for harsh environments

Accessories

Fixture Hanger

3/4 in. Male Thread

Catalog Number:
HCK75

Shipping Weight:
1.7 lbs.



Sealed Cable Assembly

Includes 6 ft. #16
AWG Conductor Cable

Catalog Number:
SC1636

Shipping Weight:
1.5 lbs.

** Consult Factory for Other Available Lengths*



Occupancy Sensor Remote Control

Catalog Number:
OCRC

Shipping Weight:
.5 lbs.

Note: 2 x AAA batteries not included



An Avail Infrastructure Solutions Company

availinfra.com/rig-a-lite

8500 Hansen Road
Houston, TX 77075
(713) 943-0340