

INSTALLATION DATA SHEET

CRO SERIES

LUMINAIRES FOR USE IN RECESSED CEILINGS

Ordinary Damp/Wet Locations IP 55

ISO3, NSF2 Food Zone/Non-Contact

WARNING!

- Luminaires can be heavy, recommended minimum of 2 person lift during installation.
- These should be installed by qualified technicians using suitable wiring methods.
- Prevent risk of electrical shock, deactivate/ disconnect power supply before wiring.

INSTALLATION: Mounting/Wiring:

Chose the desired knock-out size and location to wire the luminaire. If no ceiling access is available, wiring must be done prior to installation. See wiring details further back in this manual.

1. Loosen the exterior lens frame screws until they free float in the frame. Do not fully remove as these are held captive with retaining washers. Open the lens frame and un-clip the support cables from the housing side. Set frame aside for later installation.

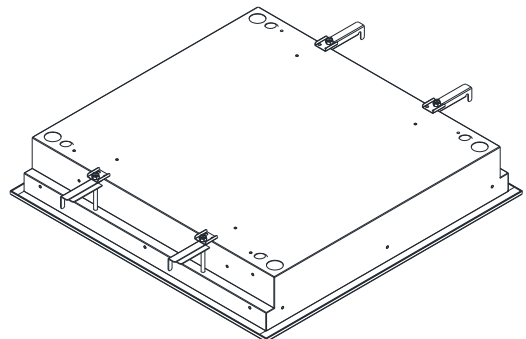
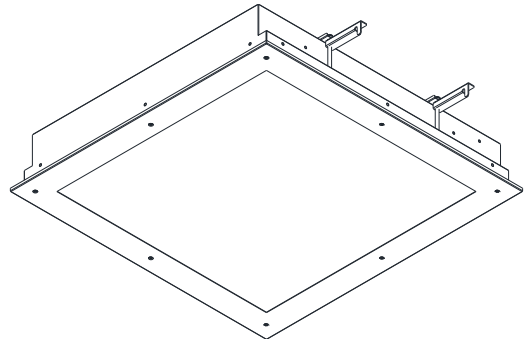
2. Ceiling cutout sizes are shown further back in this manual. Note the clearance required above the exposed ceiling for non-insulation contact.

3. If an airtight seal is required, install seal or caulk prior to installation. Recommended minimum 2 person lift for installation. Lift the luminaire into the opening until the flange touches the seal or ceiling.

4. Begin tightening the 4 perimeter screws. This will allow the securement arms to swing out away from the fixture and draw it upward towards the ceiling. Tighten until you see the internal seal washer compress. Do not over tighten.

5. Clip the retaining cables from the lens frame back onto the housing holes. Align the lens frame into the opening and raise it as far as possible. Tighten all of the perimeter frame screws. Avoid over-tightening as this may cause damage to the nylon seal washers.

Caution: As with all sheet metal products, sharp edges may be present. Use caution when installing and handling this product. The use of gloves is recommended to avoid injury



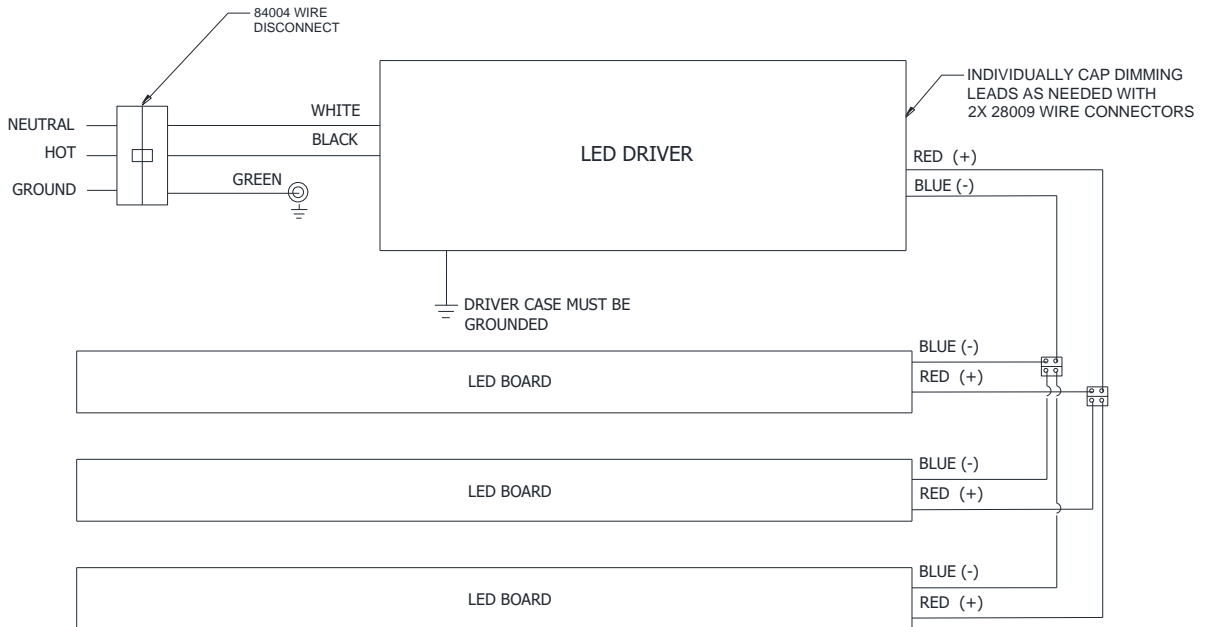
INSTALLATION DATA SHEET

Wiring: If no ceiling access is available after installation, wiring must be done prior to installation.

1. Before wiring, make sure the circuit is deactivated. Check the luminaire label for correct voltage and frequency. Operate only at rated voltage/frequency. Designed to operate on a grounded neutral systems only.
2. Removal of the lens frame is required prior to wiring. Loosen the exterior lens frame screws until they free float in the frame. Do not fully remove as these are held captive with retaining washers. Open the lens frame and un-clip the support cables from the housing side. Set frame aside for later installation.
3. Loosen 2 nuts on the linear wiring access cover and slide towards the center to remove and expose internal wires. Choose the desired knock-out location for incoming wires.
4. Use minimum 18 AWG for incoming power supply. The maximum number of thru feed conductors is 4, of #12 AWG. Connect the ground wire first. Connect the incoming black and white leads to the respective wires using suitable connectors, or wire into the proper terminal block slot (if provided).
5. May be provided with optional fuse holders. Wire directly to the unused screw of the fuse holder(s). Wire L1 to the black wire fuse holder, and L2 or Neutral to the white wire fuse holder, if dual fuses are provided.
6. Close any un-used knock-out openings or hubs and replace linear wiring access cover, tightening the 2 nuts.
7. If the unit has not been installed into the ceiling opening prior to wiring, install per instructions on previous page and install the lens frame.
8. Energize the unit to inspect for proper operation.

TYPICAL WIRING DIAGRAM

Contact Factory for Specific Diagrams



MAINTENANCE DATA:

1. Although no routine maintenance is required to keep this luminaire functional, it should be checked periodically to ensure it is working properly, and to look for any external damage.
2. For optimum performance, keep the light transmission portion of the luminaire clean.



8500 Hansen Rd.
Houston, TX 77075 USA
CROIDS

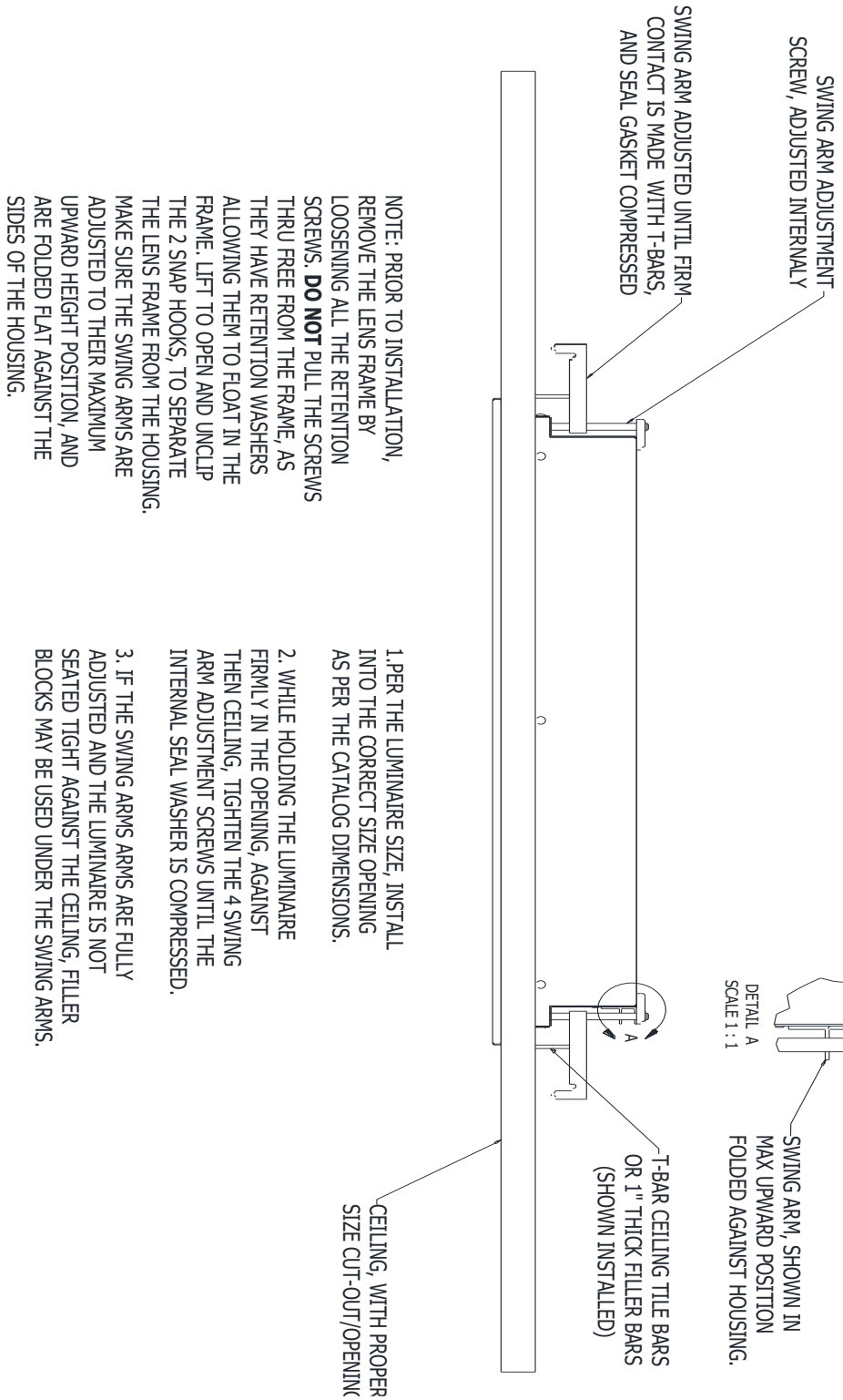
Tel: 713-943-0340

availinfra.com/rig-a-lite/

Oct 2022

Rev. 1

INSTALLATION DATA SHEET



8500 Hansen Rd.
Houston, TX 77075 USA
CROIDS

Tel: 713-943-0340

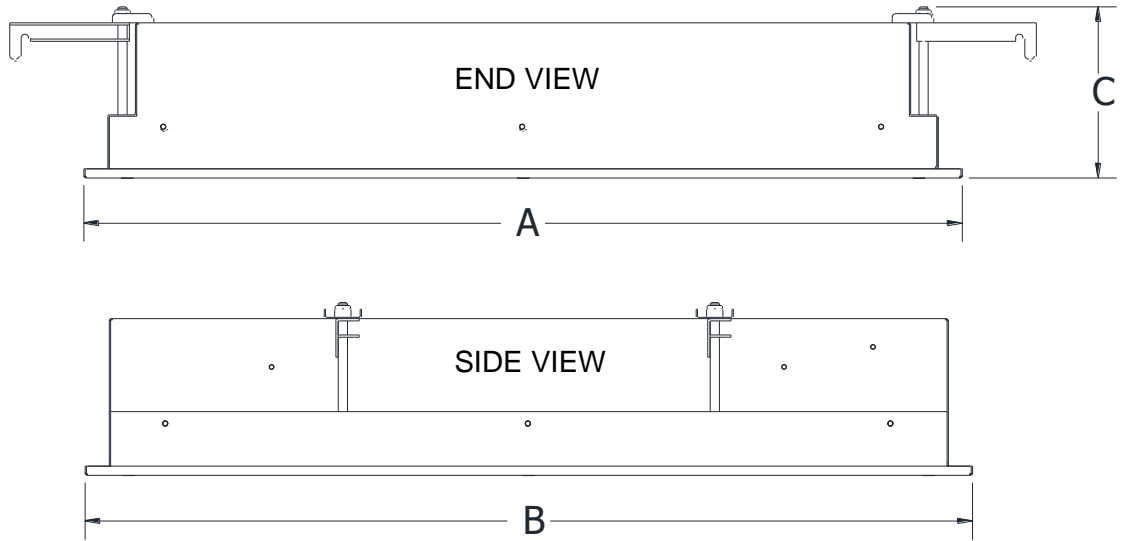
Oct 2022

availinfra.com/rig-a-lite/

Rev. 1

INSTALLATION DATA SHEET

DIMENSIONAL DATA



DIMENSIONS

SIZE	A	B	C	D	E
1 X 4	11.860	47.860	4.650	10.750	46.750
2 X 2	23.860	23.860	4.650	22.750	22.750
2 X 4	23.860	47.860	4.650	22.750	46.750

