

INSTALLATION DATA SHEET

SAF SERIES

RTXMV ADAPTER RING

Class I, Div. 2, Groups A, B, C & D, Class II, Class III

WARNING!

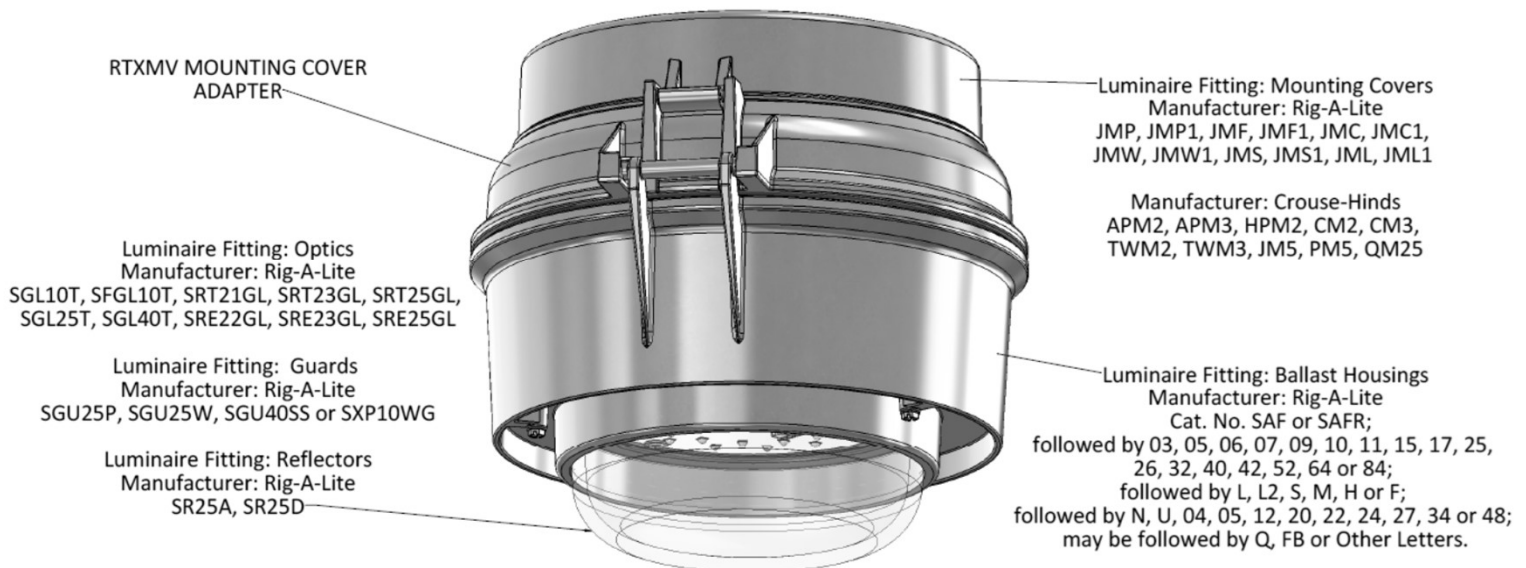
READ AND FOLLOW ALL SAFETY INSTRUCTIONS BEFORE INSTALLING THE RTXMV ADAPTER RING AND THE COMPLETE LUMINAIRE

This luminaire should be installed in strict accordance with the National Electrical Code and any local requirements.

1. All maintenance procedures are to be performed only when the atmosphere surrounding the luminaire is non-hazardous.
2. To prevent the ignition of hazardous atmospheres, disconnect the luminaire from the supply circuit before opening. Keep tightly closed when in operation.
3. Do not use this equipment for other than intended use.
4. Installation and servicing of this luminaire should be performed by qualified personnel.

SAVE THESE INSTRUCTIONS

THE RTXMV ADAPTER RING IS TO BE USED ONLY WITH THE FOLLOWING LISTED FITTINGS IDENTIFIED BELOW:



8500 Hansen Rd.
Houston, TX 77075 USA
RTXMVIDS

Tel: 713-943-0340

Oct 2022

availinfra.com/rig-a-lite/

Rev. 1

INSTALLATION DATA SHEET

ADAPTER RING INSTALLATION:

1. Turn off the power to the luminaire.
2. Remove the screw holding the mounting cover and housing together.
3. Swing the housing down.
4. Remove the incoming supply wires from the terminal block or remove the wire nuts (may be located in the mounting cover or the luminaire housing). Also remove the ground lead from the housing.
5. Unhook the hinge of the old housing from the mounting cover.
6. Place the RTX MV adapter ring into the mounting cover hinge and secure it in place with the provided screw.
7. Place the new SAF housing into the RTX MV adapter ring by lining up the hinge.
8. Wire the new SAF housing with the incoming supply wires by using wire nuts or the terminal block.
9. Secure the SAF housing ground lead, the RTX MV adapter ring ground lead, the mounting cover grounding lead and the supply grounding lead using methods that comply with all applicable codes such as listed connectors appropriate for the size and number of wires. If a connector is provided with the leads, they can be cut and lead stripped for use with other listed connectors.
10. Swing close the housing and tighten the screw.
11. Physically inspect the outside.
12. Turn the power on.

