

ALIJ Hi-Lumen LED

LED area lighting for
industrial locations

RIG-A-LITE™
An Avail Infrastructure Solutions Company



Classifications

- UL 1598A Marine Outside Type
- UL 1598 Wet Locations
- UL 8750 LED Safety
- Tested to LM 79 & LM 80
- 65° C Ambient Temperature
- NEMA 4X
- IP66
- CUL

availinfra.com/rig-a-lite

8500 Hansen Road,
Houston, TX 77075
(713) 943-0340

ALIJ Hi-Lumen LED

LED area lighting for industrial locations

Key Features

- 1 Wide distribution pattern
- 2 Field replaceable LEDs and drivers
- 3 Hinged mount for easy access to internal components
- 4 Isolated LED compartment reduces temperature within driver housing
- 5 Unique design enhances airflow for greater heat dissipation
- 6 Heavy-duty tempered glass lens
- 7 Type I, III and V light distribution options



Additional Features

- Standard 10kV surge protection
- Pendant, ceiling, wall and stanchion mounting options
- Terminal block
- Mates directly to SAFJ HID and select competitor mounts
- Dimming option
- Optional stainless steel guard
- 5-year warranty

Standard Materials

Body:

A360 aluminum (less than .4% copper content) with baked-on gray epoxy finish

Gaskets:

One-Piece Silicone

Lens:

Borosilicate Glass

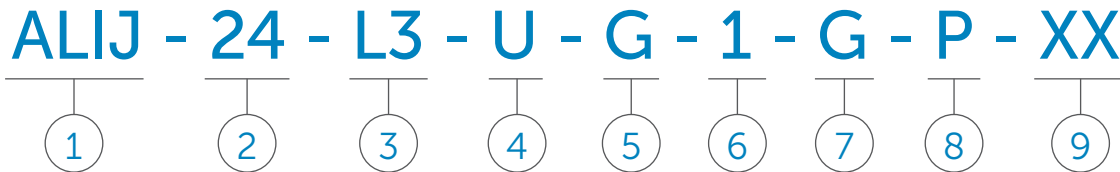
Hardware:

Stainless Steel

ALIJ Hi-Lumen LED

LED area lighting for industrial locations

Catalog Number Logic



1
BASIC LUMINAIRE

ALIJ LED¹

2
LAMP CURRENT/LAMP WATTAGE

16 = 160 Watts

21 = 210 Watts

24 = 240 Watts

3
LAMP TYPE

L3 = LED

4
DRIVER VOLTAGE

U = 120 to 277V 50/60 HZ

N = 347/480V 60 HZ

5
GLOBE

G = Clear Glass Globe

6
OPTICS

Blank = Type V Light Distribution

1 = Type I Light Distribution

3 = Type III Light Distribution

7
GUARD

G = Stainless Wire Guard

8
MOUNTING STYLE

P = ¾" Pendant Mount

P1 = 1" Pendant Mount

C = ¾" Ceiling Mount

C1 = 1" Ceiling Mount

W = ¾" Wall Mount

W1 = 1" Wall Mount

S = 1-¼" 25° Stanchion Mount

S1 = 1-½" 25° Stanchion Mount

L = 1-¼" 90° Stanchion Mount

L1 = 1-½" 90° Stanchion Mount

9
OPTIONS¹

FB1 = Single Fuse Block^{2,3}

FB2 = Double Fuse Block^{2,3}

30 = 3000K CCT

35 = 3500K CCT

40 = 4000K CCT

¹ Consult factory for pricing.

² Not available with universal driver unless incoming voltage is specified. When installed, one fuse block is provided for 120 & 277V and two fuse blocks are provided for 208, 220, 240, 347 and 480V. Fuse not provided.

³ FB option not available for marine listed fixtures.

Part numbering logic is for explaining catalog part structure only. Not all combinations are possible; consult factory for catalog numbers not listed on chart.

Certification Guide






Model	Mount	Wattage	Operating Voltage	Total Lumens	Lumens per Watt	CRI	CCT	Ambient Temperature	Supply Wire Suitable Temperature, °C
ALIJ16L3UG	P, C, W, S, L	160W	120V - 277V 50/60 Hz, 347V/480V 60Hz	20,088	125.2	82.6	5035	-30°C < Tamb < 65°C*	90°C
ALIJ16L3UG1	P, C, W, S, L	160W		14,345	89.1	85.3	5178	-30°C < Tamb < 55°C	90°C
ALIJ16L3UG3	P, C, W, S, L	160W		16,708	103.6	84.3	5065	-30°C < Tamb < 55°C	90°C
ALIJ21L3UG	P, C, W, S, L	210W		26,001	128.1	82.5	4994	-30°C < Tamb < 65°C*	90°C
ALIJ21L3UG1	P, C, W, S, L	210W		18,184	89.6	85.3	5171	-30°C < Tamb < 55°C	90°C
ALIJ21L3UG3	P, C, W, S, L	210W		21,023	103.6	84.3	5037	-30°C < Tamb < 55°C	90°C
ALIJ24L3UG	P, C, W, S, L	240W		30,815	127.6	83.7	5003	-30°C < Tamb < 65°C*	90°C
ALIJ24L3UG1	P, C, W, S, L	240W		21,813	90.5	86.7	5199	-30°C < Tamb < 55°C	90°C
ALIJ24L3UG3	P, C, W, S, L	240W		25,370	105.1	85.7	5076	-30°C < Tamb < 55°C	90°C

*347V/480V 60Hz models limited to -30°C < Tamb < 55°C

ALIJ Hi-Lumen LED

LED area lighting for industrial locations

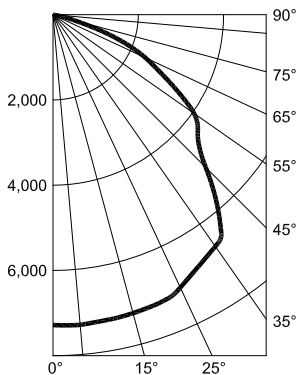
Accessories

Outlet Boxes	Catalog No.	Conduit Hub Size (in.)	Shipping Weight (lbs.)
Rigid Pendant 	JMP	3/4	3.0
	JMP1	1	3.0
Ceiling Mount 	JMC	3/4	3.5
	JMC1	1	3.5
Wall Mount 	JMW	3/4	6.0
	JMW1	1	6.0
25° Stanchion Mount 	JMS	1-1/4	5.0
	JMS1	1-1/2	5.0
90° Stanchion Mount 	JML	1-1/4	6.0
	JML1	1-1/2	6.0

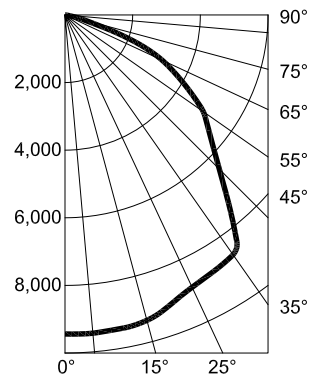
Globes & Guards	Catalog No.	Description	Shipping Weight (lbs.)
Guard 	86324	Stainless Steel Wire Guard	1.0
Clear Glass Globe 	36242	Clear Glass Globe	9.0

Photometric Data

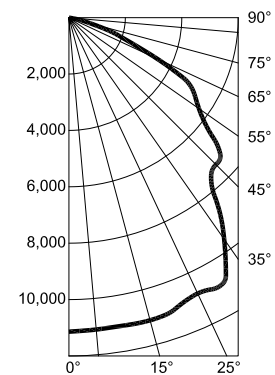
ALIJ16L3UG



ALIJ21L3UG



ALIJ24L3UG

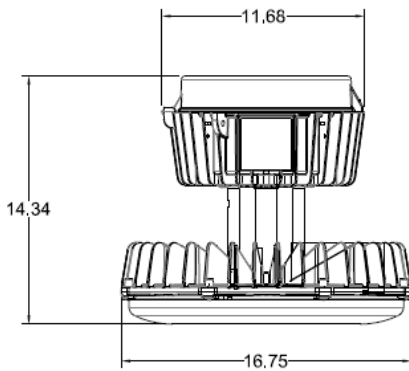


ALIJ Hi-Lumen LED

LED area lighting for industrial locations

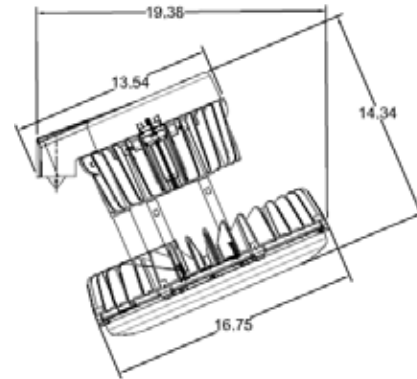
Fixture Dimensions (inches)

Pendant Mount



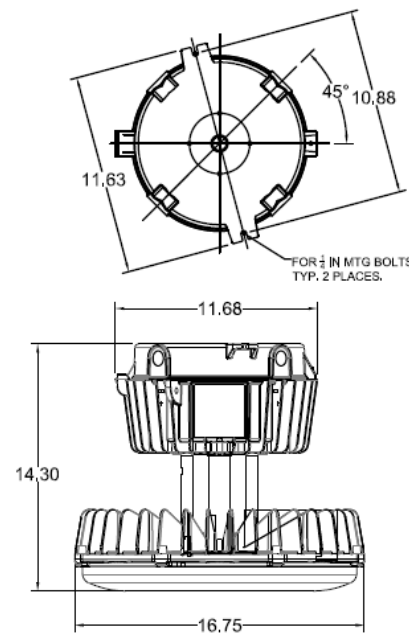
Fixture	Weight
ALIJ24L3UG	42 lbs.
ALIJ21L3UG	40 lbs.
ALIJ16L3UG	38 lbs.

25° Stanchion Mount



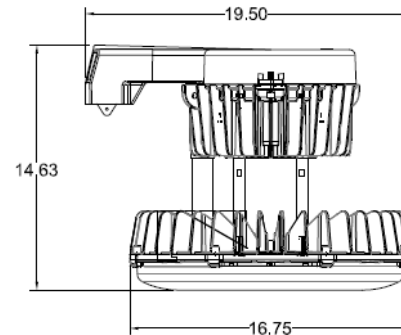
Fixture	Weight
SAFJ24L3UG	44 lbs.
SAFJ21L3UG	42 lbs.
SAFJ16L3UG	40 lbs.

Ceiling Mount



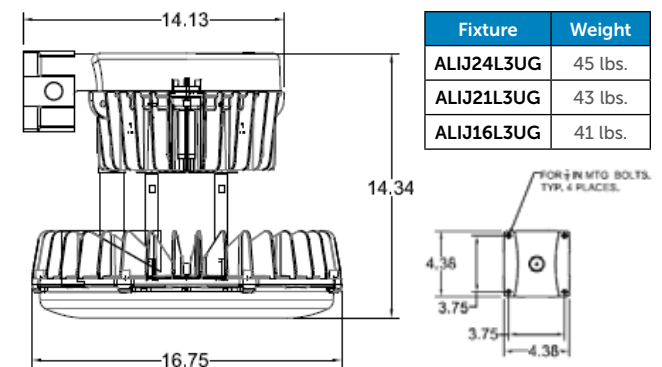
Fixture	Weight
ALIJ24L3UG	42 lbs.
ALIJ21L3UG	40 lbs.
ALIJ16L3UG	38 lbs.

90° Stanchion Mount



Fixture	Weight
ALIJ24L3UG	45 lbs.
ALIJ21L3UG	43 lbs.
ALIJ16L3UG	41 lbs.

Wall Mount



Fixture	Weight
ALIJ24L3UG	45 lbs.
ALIJ21L3UG	43 lbs.
ALIJ16L3UG	41 lbs.



An Avail Infrastructure Solutions Company

availinfra.com/rig-a-lite

8500 Hansen Road,
Houston, TX 77075
(713) 943-0340